

NUOMI 诺米

NUOMI 诺米

广东诺米家居智能科技有限公司  
GUANGDONG NUOMI HOME INTELLIGENT TECHNOLOGY CO.,LTD

地址：佛山市南海区丹灶镇丹灶物流中心金泰路3号  
Add : No.3,JinTai RD,Danzao Town,Foshan City,Guangdong Province,China  
NUOMI 电话Tel: 0757-86602177 (总机) 传真Fax: 0757-86602166  
服务热线Service Hotline: 400-831-7997 邮政编码Postal Code: 528000  
网址Web: aa@gz-nuomi.com 邮箱E-mail: nx02@gz-nuomi.com



公众号



服务号

产品如有改动，请以实物为准 2023年5月第一次印刷

NUOMI 诺米

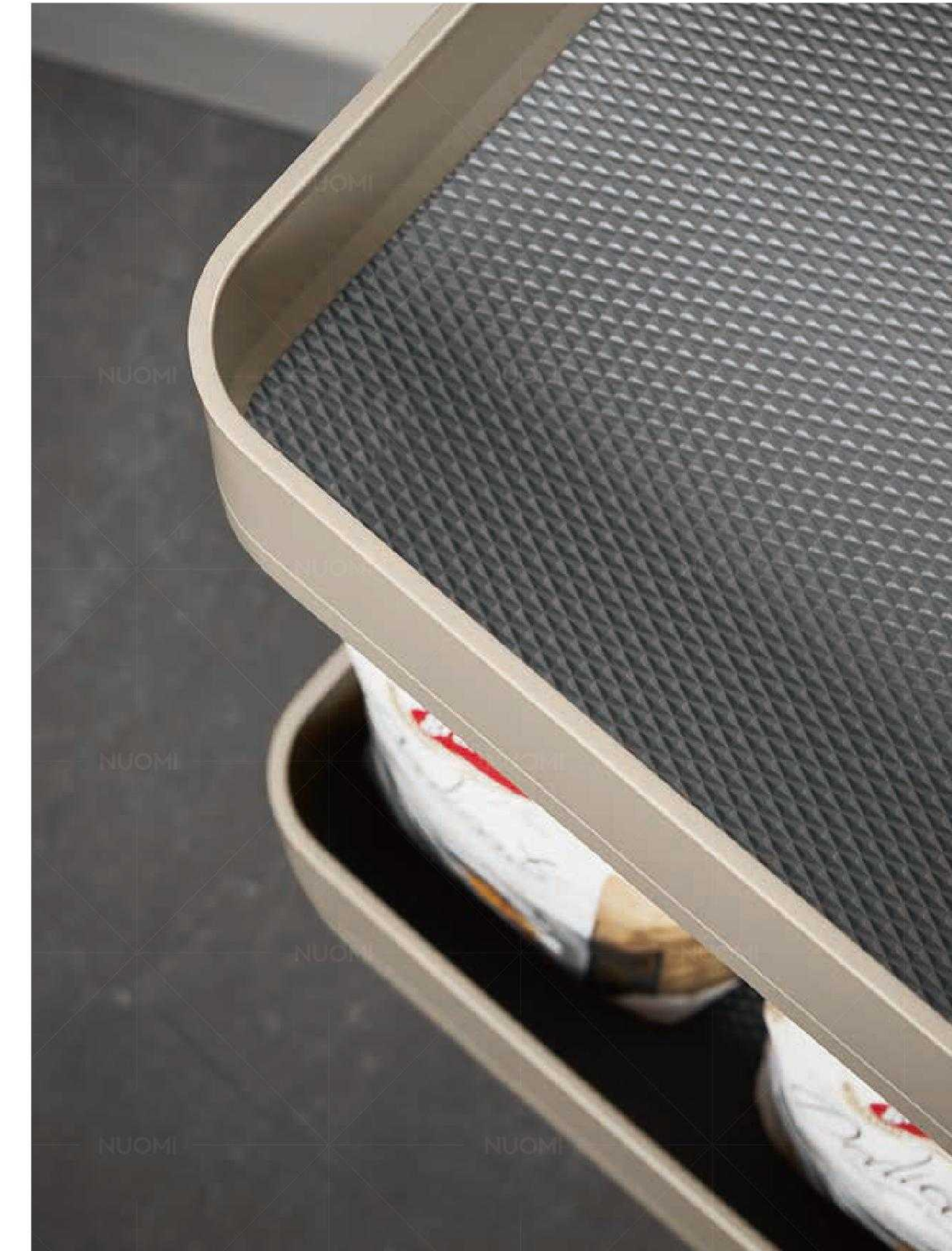


KITCHEN STORAGE SOLUTIONS

诺米厨房五金收纳解决方案

# NUOMI KITCHEN STORAGE SOLUTIONS

诺米厨房五金收纳解决方案



**NUOMI** 诺米



NUOMI MAKE YOUR HOME LIFE MORE TASTEFUL

## 诺米 · 让家居生活更有品位!

NUOMI 诺米, 成立 2003 年, 是一家集研发、设计、生产、销售于一体的高新技术企业。

NUOMI, founded in 2003 and is a high-tech enterprise that integrates research and development, design, production, and sales.

作为中国高端家居五金领军品牌之一, 诺米首创并践行「全屋五金生态链」理念, 以同风格、同颜色、同品质、同品牌的“四同法则”实现五金颜质的设计跃级, 并全面布局“橱柜功能五金、衣柜收纳五金、精工水槽、基础五金、智能照明、铝材高定应用”六大产品体系。

As one of China's leading high-end home hardware brands, NUOMI pioneered and practices the concept of "whole-house hardware ecological chain." It uses the "four-same" concept of the same style, same color, same quality, and same brand to achieve design upgrades in hardware aesthetics and has fully laid out six major product systems, including "kitchen storage solutions, wardrobe storage solutions, kitchen sink, furniture motion solutions, smart lighting system and high-end custom aluminum application system."

多年发展以来, 诺米集聚全球研发智慧推出多项创新技术与五金方案, 至今拥有 200 多项创新设计专利, 产品先后通过英国皇冠 ISO9001、瑞士 SGS、德国 TÜV 等国际权威质量检测认证。凭借工业 4.0 智造转型, 诺米在行业内率先打造 80000 m<sup>2</sup> (I 期) 与 60000 m<sup>2</sup> (II 期建设中) 智能生产基地, 广泛配备智能机器人、自动化设备、无人仓储系统, 用科技力量赋能五金的柔性化精密生产, 全方位提升交付实力, 并因此斩获“国家高新技术企业”“制造业全国隐形冠军”“家居智造标杆品牌”等多项荣誉。

Over the years, NUOMI has gathered global research and development intelligence and launched many innovative technologies and hardware solutions. It currently holds more than 200 innovative design invention patents and has obtained international authoritative quality certification such as the UK Crown ISO9001, Swiss SGS, and German TÜV for its products. With the transformation of Industry 4.0 intelligent manufacturing, NUOMI took the lead in building an 80,000 square meter (Phase I) and 60,000 square meter (under construction Phase II) intelligent production base in the industry, equipped with intelligent robots, automation equipment, and unmanned storage systems. It uses technology to empower the flexible and precise production of hardware, comprehensively improving delivery capabilities and winning many honors such as "National High-tech Enterprise," "National Invisible Champion of Manufacturing Industry," and "Benchmark Brand of Home Furnishing Intelligent Manufacturing."

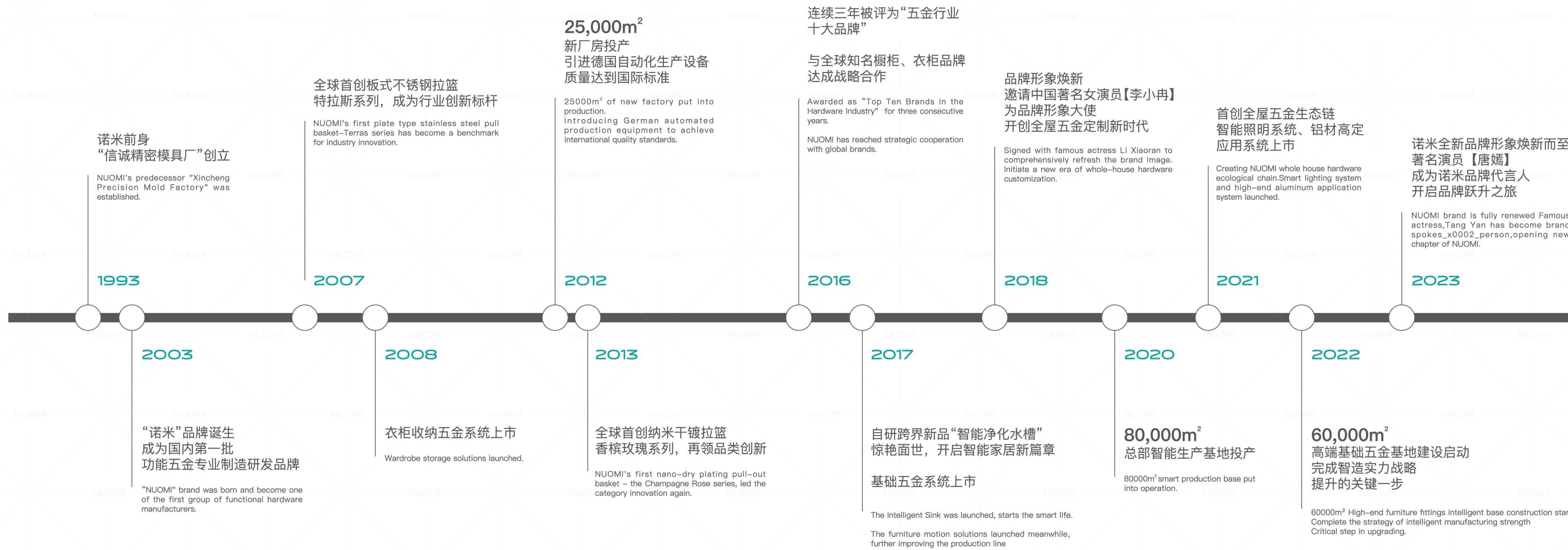
通过全方位的能力建构, 诺米成为行业内为数不多能提供一站式、一体化配齐方案的高端全屋五金服务商。截至目前, 面向全球市场的诺米, 现已成为全球众多橱柜品牌和家居品牌的主力供应商, 业务遍及全球 70 多个国家和地区。在中国地区, 诺米与一线上市家居品牌建立战略合作, 全国拥有 200 多个销售服务网点, 品牌实力位居行业前列。

Through comprehensive capacity building, NUOMI has become one of the few high-end whole-house hardware service providers in the industry that can provide one-stop, integrated matching solutions. As of now, NUOMI, which is facing the global market, has become a major supplier to many cabinet and wardrobe brands and home furnishing brands worldwide, with business covering more than 70 countries and regions around the world. In the Chinese market, NUOMI has established strategic cooperation with top-listed home furnishing brands, and its sales network has more than 200 dealers and agents, making it one of the leading brands in the industry.

2023 年, 诺米全新品牌形象焕新而至, 并签约唐嫣为品牌代言人, 开启品牌的跃升新程。

In 2023, NUOMI will unveil a brand new logo and brand image, and signed Tang Yan as the brand spokesperson, opening a new era of brand development.

NUOMI MILESTONE - 诺米里程碑



NUOMI 诺米

唐嫣  
诺米全屋五金品牌代言人

「嫣」值美家  
共同奔赴



橱柜功能五金系统 KITCHEN STORAGE

衣柜收纳五金系统 WARDROBE STORAGE

精工水槽系统 KITCHEN SINK

基础五金系统 CONNECTIVE MOTION HARDWARE

智能照明系统 SMART LIGHTING

铝材高定应用系统 ALUMINUM APPLICATION

## NUOMI DESIGN - 诺米设计

诺米基于极简主义“少即是多 (Less is more)”的设计哲学，以全屋产品体系、至臻工艺细节、全球高阶审美，顺势推出“四同法则”，为全屋五金融入轻奢范式，满足更高阶奢居的定制所需。

NUOMI is based on the design philosophy of “Less is more”, and with a complete home product system, exquisite craftsmanship details, and global high-end aesthetics, it has launched the “Four-Same” concept to integrate whole house hardware into a minimalist and luxurious paradigm, meeting the needs of high-end custom homes.

## DESIGN CONCEPT

### 四同法则



#### 同 [风格]

极简轻奢贯穿全屋五金设计，美学风格协调统一，实现整家搭配的审美提升。

#### SAME STYLE

Minimalist light luxury runs through the hardware design of the whole house, coordinated aesthetic style, realize the aesthetic improvement of the whole home collocation.



#### 同 [颜色]

全屋五金不同配件保持同一色系，同色率达95%以上，满足高定家居的细节要求。

#### SAME COLOR

Keep the same color system for different hardware accessories in the whole house, the same color rate is over 95%, meet the detailed requirements of high-end home furnishing.



#### 同 [品质]

全屋五金由诺米4.0基地制造出厂，数智化、自动化产线高标交付，7级质检把控产品一致性。

#### SAME QUALITY

The whole house hardware is manufactured by NUOMI 4.0 production base, the factory is digitized and automated. The production line is delivered with high standards and 7 levels of quality inspection to control product consistency.

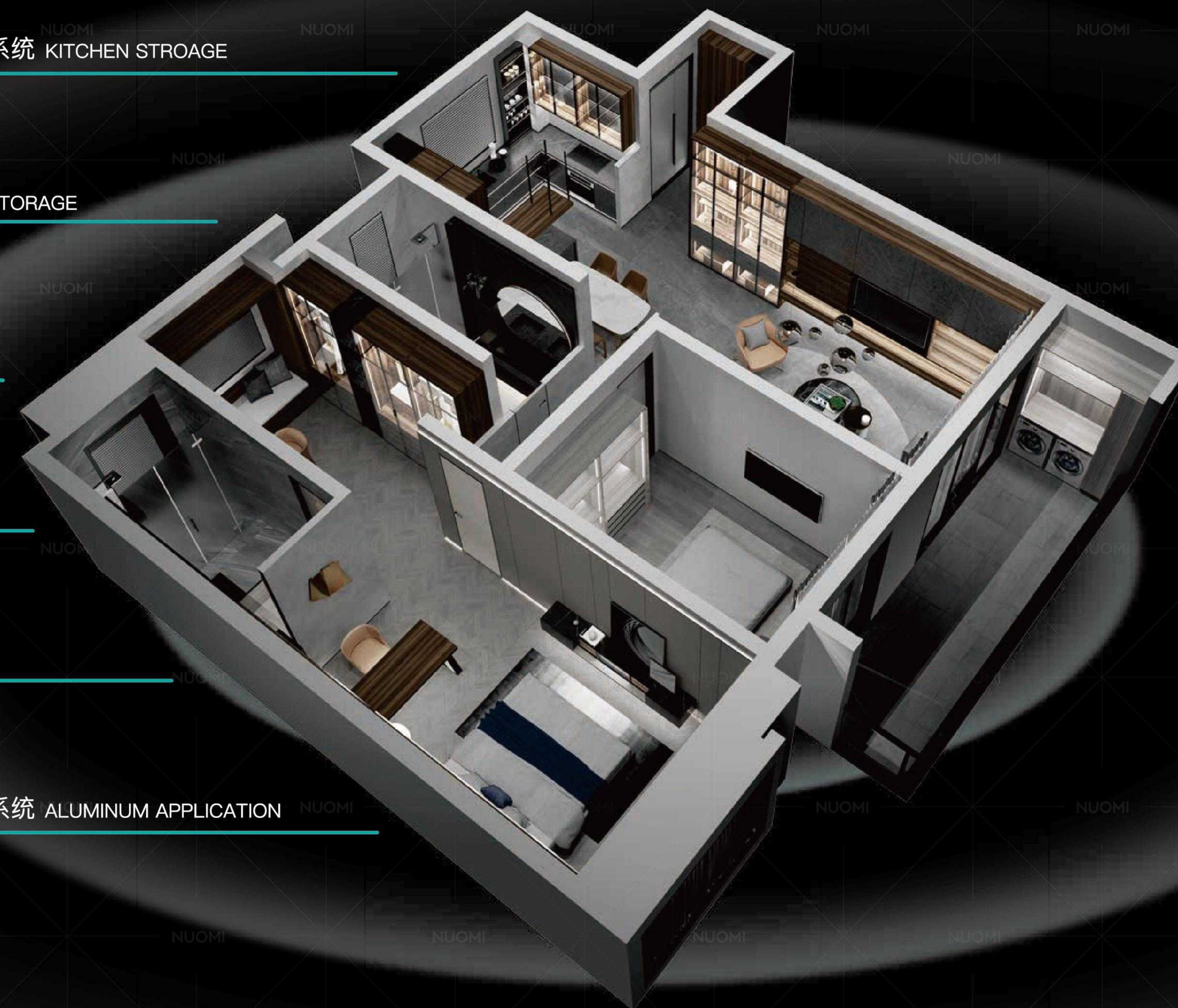


#### 同 [品牌]

全屋五金无需东拼西凑，诺米全系自研自产，多品类一站省心配套。

#### SAME BRAND

The whole house hardware does not need to be pieced together, NUOMI full system products are self-developed and self-produced, multi-category one-stop worry-free support.



### 全屋五金 整家奢配

Whole house hardware  
the whole house is luxuriously matched.

**6** 大品类  
6 major categories

独立研发团队“赛马”式创新  
Independent R&D team with "orse racing" style innovation.

**200<sup>+</sup>** 项

创新设计专利改进产品使用体验  
Innovative design patents improve the user experience of the product.

**3000<sup>+</sup>** 个

产品 SKU 满足细分需求  
Product SKU meet specific segmentation demands.

### 科技智造 双擎加速

Intelligent manufacturing with technology  
dual-engine acceleration.

**80000** m<sup>2</sup>

国际 4.0 数智化生产基地  
International Industry 4.0 digital intelligence production base.

**60000** m<sup>2</sup>

高端基础五金智造基地  
The high-end furniture motion intelligent manufacturing base.

2014–2016 连续三年被评为“五金行业十大品牌”

2019 年 荣获国家级《高新技术企业证书》

2021 年 被全国工商联家具装饰业商会评为《中国家居优选供应链百强》

2021 年 被全国工商联家具装饰业商会评为《战略合作伙伴》

2022 年 被评为南海制造业全国隐形冠军

2022 年 斩获“家居智造标杆品牌”、“设计创新奖”、“技术领先奖”

2022 年 入选佛山市专精特新企业

2022 年 认定为佛山市高端全屋定制五金（诺米家居）工程技术研究中心

Was rated as "Top Ten Brands in the Hardware Industry" for three consecutive years from 2014 to 2016

Won the national "high-tech enterprise certificate" in 2019

Was rated as "Top 100 Chinese Home Furnishing Supply Chain Companies" by the China Furniture & Decoration Chamber of Commerce in 2021

Was rated as "Strategic Partner" by China Furniture & Decoration Chamber of Commerce in 2021

Named the National Invisible Champion of Nanhai Manufacturing Industry in 2022

Won the "Benchmark Brand of Smart Home Manufacturing", "Design Innovation Award", and "Technology Leadership Award" in 2022

Selected as a Specialized and Innovative New Enterprise in Foshan in 2022

Identified as Foshan High-end Customization of Whole House Hardware (Nuomi Home ) Engineering Research Center in 2022

# NUOMI INTELLIGENT- 诺米智造 MANUFACTURING

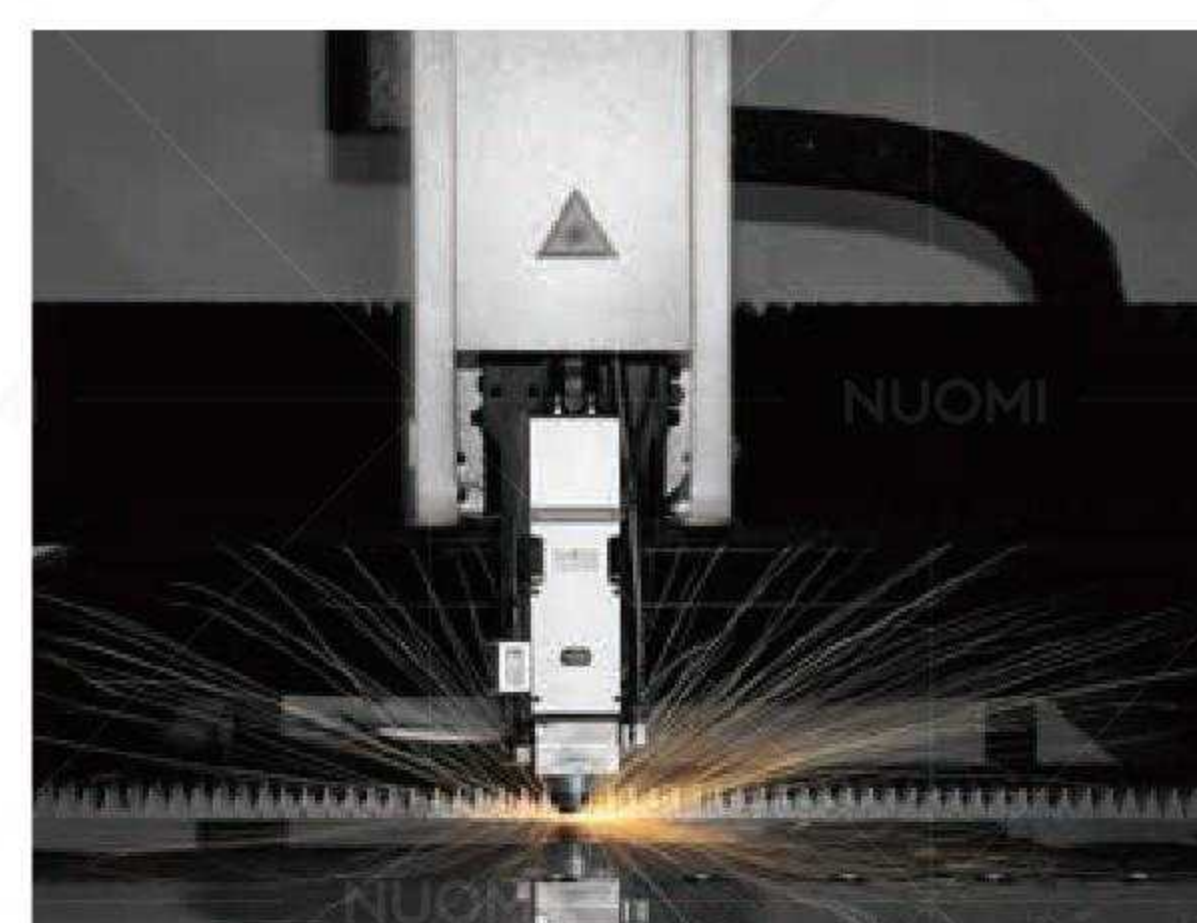
# NUOMI DATA - 诺米数字



诺米智能生产基地 II 期  
NUOMI intelligent production base phase II



尖端 CNC 精密加工中心  
Cutting-edge CNC precision machining center



激光切割自动化产线  
Laser cutting automatic production line



诺米智能生产基地  
NUOMI Intelligent Production Base



智能无人立体仓库  
Intelligent unmanned three-dimensional warehouse



全自动焊接机械臂  
Fully automatic welding robot arm

## 0.01

0.01cm 精控误差，追求卓越品质的产品契合。  
0.01cm precision control pursue excellent quality.

## 3

3 重国际权威品质认证，英国 ISO+ 瑞士 SGS+ 德国 TÜV。  
3 international authoritative organization for quality certification:  
ISO, SGS, TÜV

## 7

7 级质检把控，从原料到成品，每一件产品历经层层检测，严控质量是诺米提供消费者的可靠性保证。  
7 level quality control, from raw materials to finished products, each product after layers of testing, strict quality control is the reliability guarantee that NUOMI provides to consumers.

## 10

导轨 10 年至终身质量保障，让用户时刻无忧。  
Slide-10 Years quality assurance, reassure users.

## 168

纳米干镀表面处理技术，通过 168 小时盐雾测试，持久光亮不生锈。  
Dry-plating technology, pass 168 hours salt spray test, lasting bright and rust-resistant.

## 80000

导轨通过 SGS 80000 次抗疲劳运作测试，安心更舒心。  
Slide pass SGS 80000 anti-fatigue operation test, more comfortable.



高新技术企业证书  
Hi-tech Corporate Certificate



获英国皇冠 ISO9001 质量管理认证  
ISO9001 Quality Management System Certification



德国 TÜV 质量检测认证  
Quality Testing Certification



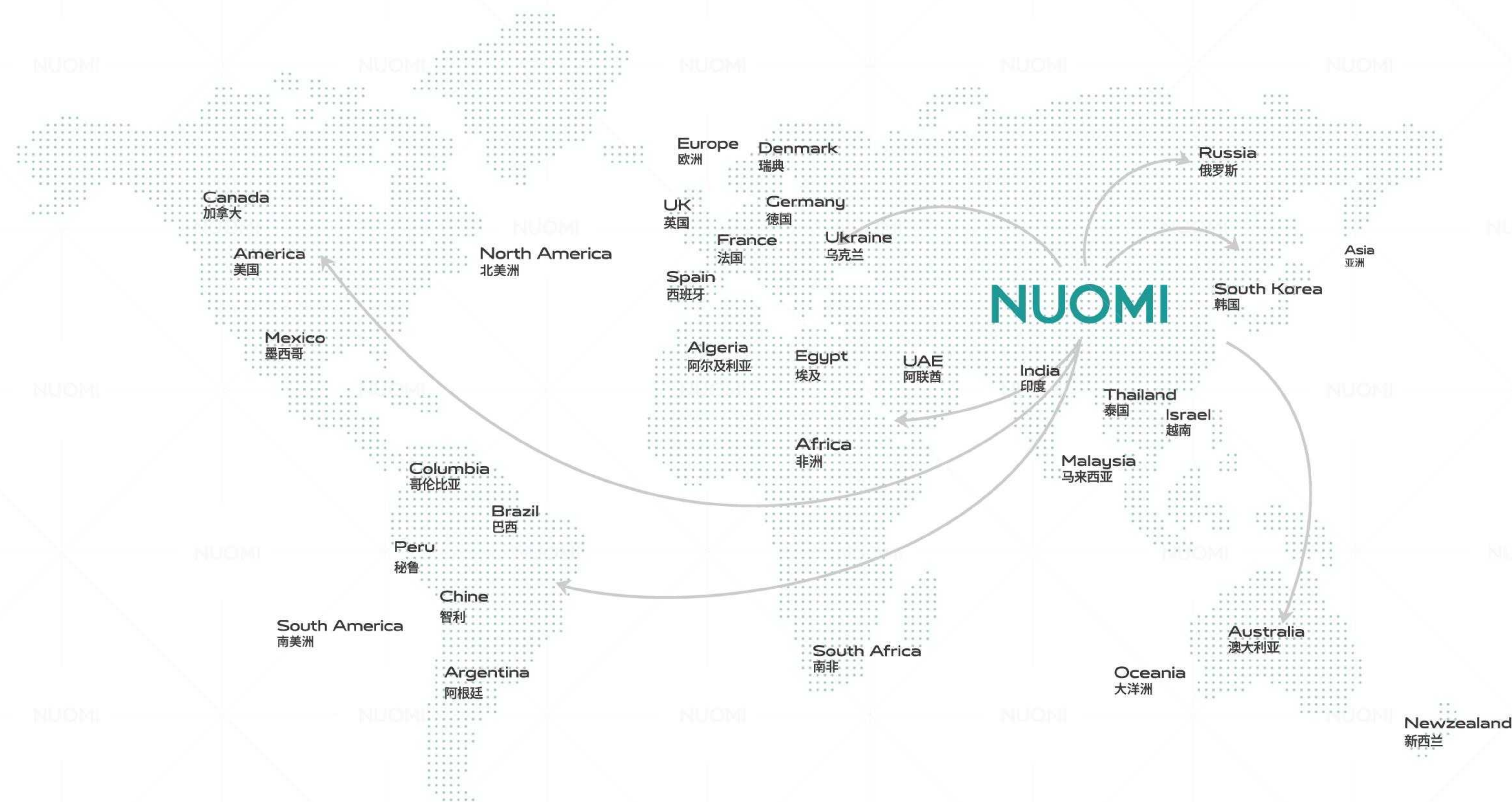
瑞士 SGS 质量检测认证  
Quality Testing Certification



## SALES NETWORK – 诺米全球营销网络

是中国的诺米，更是世界的诺米。依托全球化的服务体系，诺米长期为数百个国内外知名橱柜品牌、家居品牌提供五金解决方案，产品畅销亚洲、欧洲、北美洲等全球 70 多个国家和地区，占有国际中高端市场一席之地。

NUOMI is not only a Chinese brand, but also a global brand. With a globalized service system, NUOMI has long provided hardware solutions for hundreds of international kitchen cabinet and home furnishing brands. Its products are sold in more than 70 countries and regions around the world, including Asia, Europe, and North America, and have a leading position in the international high-end market.



在中国地区，诺米与一线上市家居品牌建立战略合作，拥有的 200 多个销售服务网点遍布全国城市圈。

In China, NUOMI has established strategic partnerships with first-tier listed home furnishing brands, and its sales network includes more than 200 distributors and agents covering cities across the country.

## STAINLESS STEEL SINK – 全球网络布局

### ASIA 亚洲

- China 中国
- Malaysia 马来西亚
- Israel 以色列
- Vietnam 越南
- Thailand 泰国
- Saudi Arabia 沙特阿拉伯
- UAE
- Singapore 新加坡
- India 印度
- South Korea 韩国
- Mongolia 蒙古

### EUROPE 欧洲

- Austria 奥地利
- Ukraine 乌克兰
- Germany 德国
- Denmark 瑞典
- France 法国
- Denmark 丹麦
- Italy 意大利
- Finland 芬兰
- Spain 西班牙
- Norway 挪威
- Uk 英国
- Greece 希腊
- Russia 俄罗斯
- Poland 波兰
- Portugal 奥地利

### AFRICA 非洲

- South Africa 南非
- Algeria 阿尔及利亚
- Egypt 埃及

### NORTH AMERICA 北美洲

- Mexico 墨西哥
- America 美国
- Canada 加拿大

### SOUTH AMERICA 南美洲

- Columbia 哥伦比亚
- Peru 秘鲁
- Brazil 巴西
- Chine 智利
- Argentina 阿根廷

### OCEANIA 大洋洲

- Newzealand 新西兰
- Australia 澳大利亚





## INDEX - 目录

魅影系列  
**ENCANTO**  
P.019

紫水晶系列  
**AMETHYST**  
P.121

特拉斯系列  
**TERRAS**  
P.163

香槟玫瑰系列  
**CHAMPAGNE ROSE**  
P.199

金刚系列  
**DEVARAJAS**  
P.241

极克系列  
**GEEK**  
P.257

配套产品  
**OTHER KITCHEN STORAGE  
PRODUCT**  
P.269

# ENCANTO

魅影系列







# CHAMPAGNE GOLD AND HIGH-CLASS GREY, MINIMALIST COLOR

## 香槟金与太郎灰, 诠释极简轻奢色彩

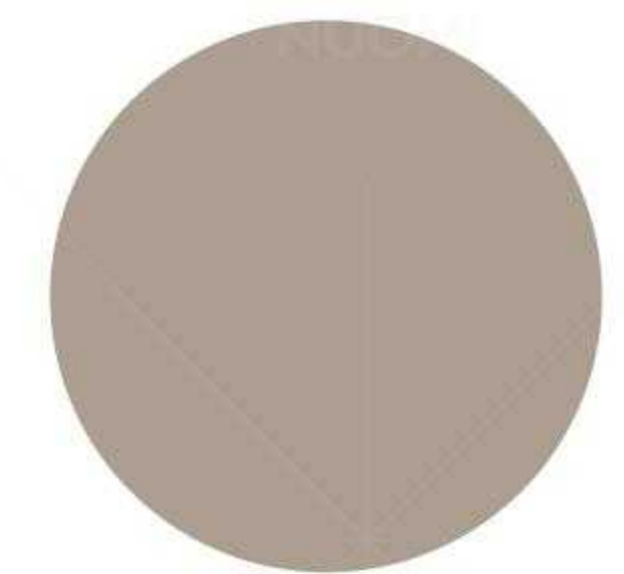
To meet your individual needs, champagne gold, High-class grey is always the most popular color, amazing appearance, following the current fashion trend.

满足您的个性需求, 香槟金, 太郎灰一直是极简设计风格所热捧的色调, 颜值惊艳, 顺应现时家居生活潮流。

### CHAMPAGNE GOLD 香槟金

A sense of light luxury, creating a unique visual tension.

无处安放的轻奢感,  
产生不一样的视觉张力。



### HIGHCLASS GREY 太郎灰

Extremely low-key, yet everywhere revealing a sense of sophistication.

低调至极, 却又处处透着  
恰到好处的高级感。



航空级铝合金

Aviation grade all-aluminum alloy frame, 10mm ultra-narrow frame design, light and durable, not easy to rust, effectively improve space utilization

航空级全铝合金框体，10mm 超窄边框设计，轻薄耐用不易生锈，有效提高空间利用率。

水性氟碳漆喷涂工艺

Sides of basket is made of superior aviation aluminium alloy,advanced fluorocarbon coating surface treatment technology, strong rust resistance,abrasive resistance. The linkage structure is made of premium steel, European standard environmental surface treatment technology, running smooth and stable.

环保健康舒适感，保证防腐防锈耐磨防刮，同时增加铝材抗沾污、防褪色的耐候性能。

德国赫马阻尼缓冲同步导轨

Three-section rail design, self-locking structure, two-way buffering; Full-covered protective structure prevents dust and sawdust; Damping system,soft and silent operation; The thickness of the guide rail plate is 10mm,with galvanized steel plate ensuring strength. Dynamic load is 30kg and operating smoothly under the extreme load; Pass SGS 80000 cycle movement test.

上中下三节轨道设计，自锁结构，双向缓冲；全覆盖式保护结构阻尼系统，防灰尘木屑；自动闭合过程轻柔如初，开合运行顺畅，全效静音；导轨板材厚度 1.0mm 镀锌钢板保证强度，可动态负重 30kg，极限载重依然开合顺畅；通过 SGS 产品测试开合，欧标测试寿命达到 8 万次。

底板防滑垫设计

Prevent collision and noise of objects during movement, and facilitate cleaning.

防止物品在运动过程中的碰撞以及噪音，方便清洁。

Storage Capacity 收纳展示



Storage Capacity 功能特点

魅影系列双层碗碟拉篮

Featuring a nested design with an additional storage box; Movable and detachable dish rack,easy to access the items; Two-layer movable cutlery box,doubling the storage capacity; Adjustable partition module, easy to switch between cup and bottle storage. Including separate compartments for dishes, utwnsils, bowls, cups, knives and kitchen tools.

抽中抽设计，多一层置物盒，单层秒变双层；移动拆卸式碗碟盘，可台上将碗盘摆放整洁，一次性整取整放更便捷；可移动刀叉盒，双层分区收纳，储物能力多一倍；可调分区隔断模块，置杯 / 置瓶随心切换 置碟区、筷勺区、置碗区、置杯区、刀叉厨具区、异性餐具区

魅影系列高帮锅具篮

Make full use of corner space,improve space utilization rate,the inner basket can be pulled out completely,convenient to fetch items.

可调节分隔件，巧妙的把不同尺寸锅具收纳间隔起来，拿取便捷不受限。

魅影系列调味篮

Nested design with clear classification and three-dimensional storage, improving storage efficiency by 20%; The upper seasoning area can hold medium or small seasoning bottles or bagged seasonings for easy access; The lower oil pot and large container area can hold large oil barrels and tall bottles, providing ample stroge space.

采用抽中抽设计，分类清晰收纳立体，收纳效果提升 20%；上层调料分区：可以放中 / 矮的调料瓶或袋装调味品，随取随用；下层油壶大罐分区：可放大油桶和高瓶，空间巨大容量足；

# CORNER UNITS

## 转角系统



Encanto magic corner, make full use of kitchen corner space. Full pull-out design, easy to access items.

转角小怪物，充分利用厨房转角空间，实现所有物品拉出柜体，即使面对最里面的物件，也可轻松存取。



# NUOMI KITCHEN STORAGE SOLUTIONS

Fashionable artistic design, constantly evolving production techniques, and hidden practical function are dedicated to those who know how to enjoy life, allowing you to calmly enjoy the art of living.

时尚的艺术设计，不断演进的制作工艺与潜藏的实质功能，只钟情于懂得享受生活的您，让您从容享受艺术生活。





Function 功能

Make full use of corner space,improve space utilization rate,the inner basket can be pulled out completely,convenient to fetch items.

提升空间利用率充分利用橱柜转角位置空间，一次性把转角篮的所有物品带到柜门外，收纳物品存取方便。

Quality 品质

Sides of basket is made of superior aviation aluminium alloy,advanced fluorocarbon coating surface treatment technology, strong rust resistance,abrasive resistance. The linkage structure is made of premium steel, European standard environmental surface treatment technology, running smooth and stable.

篮子边框选用优质航空级铝合金，表面采用精湛氟碳喷涂工艺，保证防腐防锈，耐磨防刮，久用如新，质感卓越；联动框架选用优质钢材，表面经过欧标环保工艺处理，联动结构运动顺滑、流畅，完美开合。

Design 设计

Two color options,Champagne Gold and Highclass Grey. Slim sides design, interpreting minimalism and light luxury style, enhance the taste of kitchen storage. The bottom is covered by non-slip mat,prevent the items from collision,and convenient to clean at the same time.

香槟金和太师灰两种色彩选择，纤薄板式围边，完美诠释家居极简轻奢风格，使厨房收纳空间更加优雅有品位；底板防滑垫应用，防止运动过程中物品的碰撞以及噪声，同时方便清洁。

Storage 储物

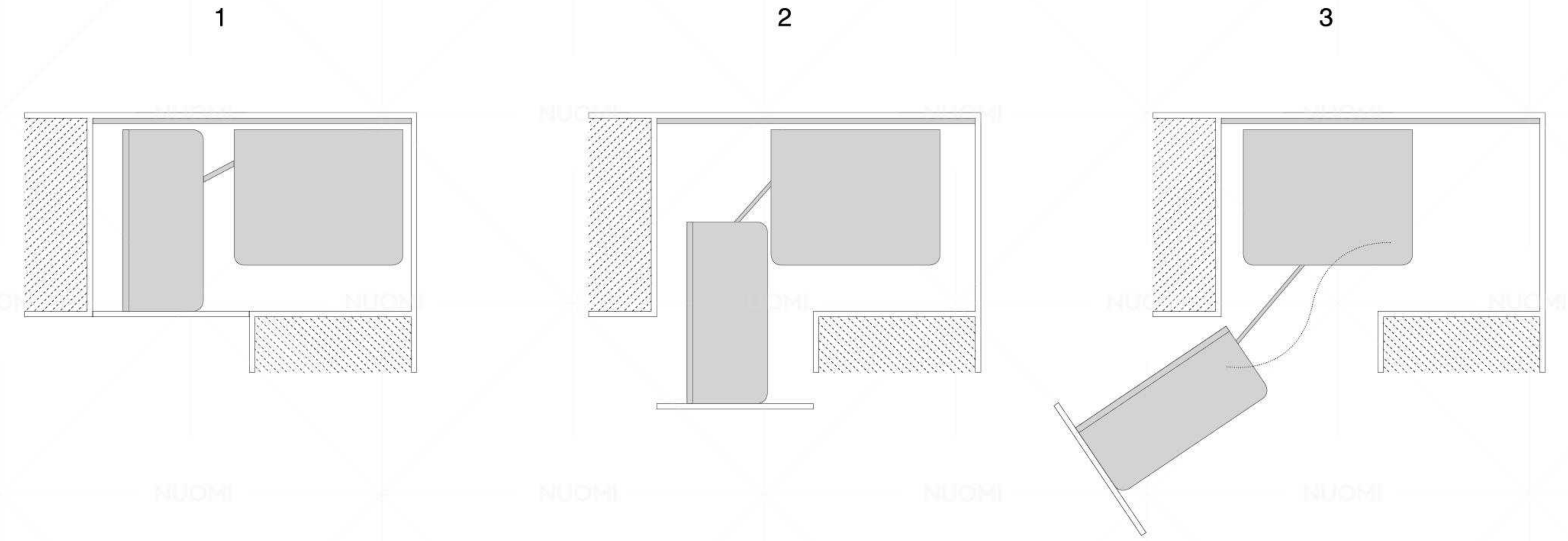
It is recommended to store less-commonly-used small household appliances, like pots, plates, dishes, dried fruit and so on.

建议储存相对不常用的小家电、锅盘碗碟、干货等。

Loading Capacity 承重

Max load of each bigger basket is 5KG, Max load of each smaller basket is 3KG.

每个大篮最大承重 5KG，每个小篮最大承重 3KG。



Storage Capacity 收纳展示

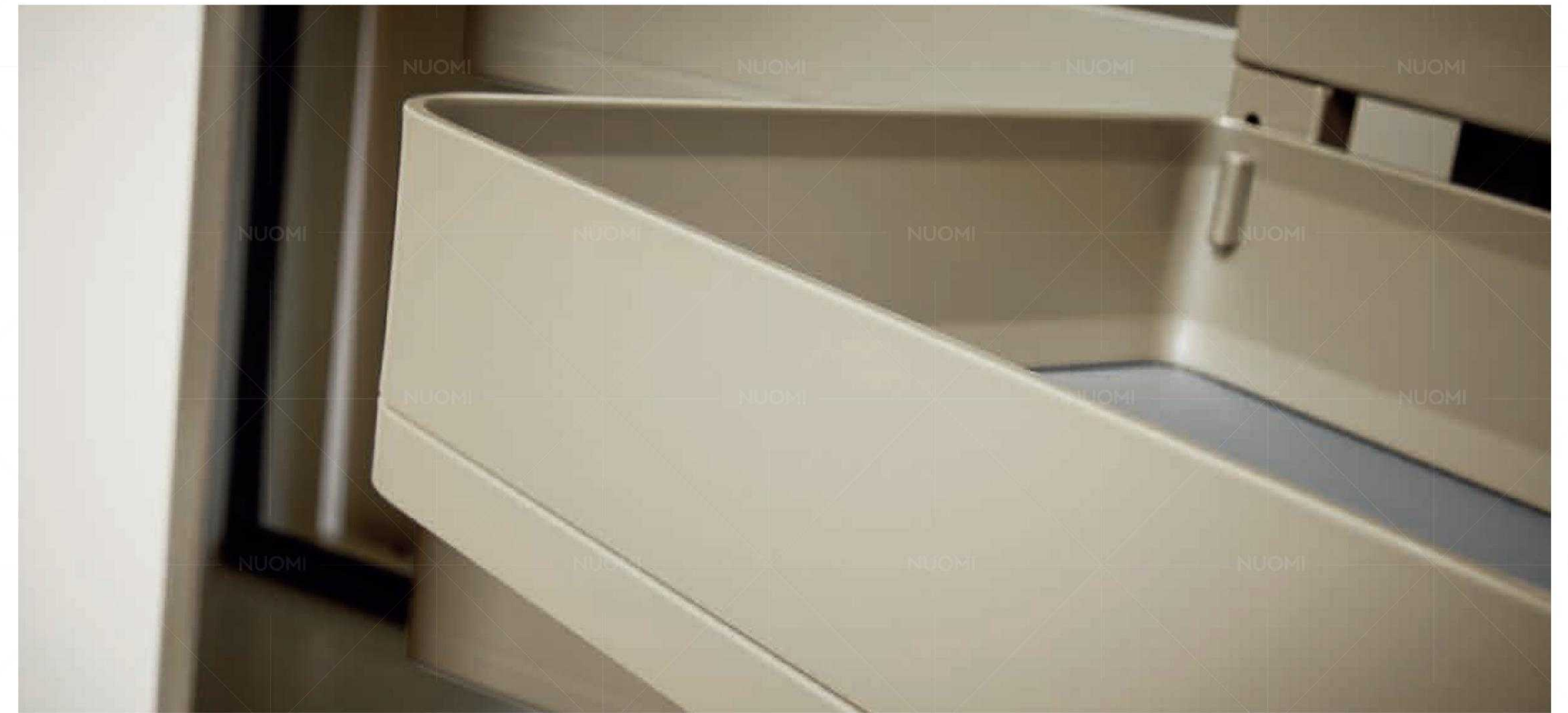


Make full use of the corner space, split-body linkage structure and full pull-out design, greatly facilitating storage. It can be installed in both left and right corner openings.

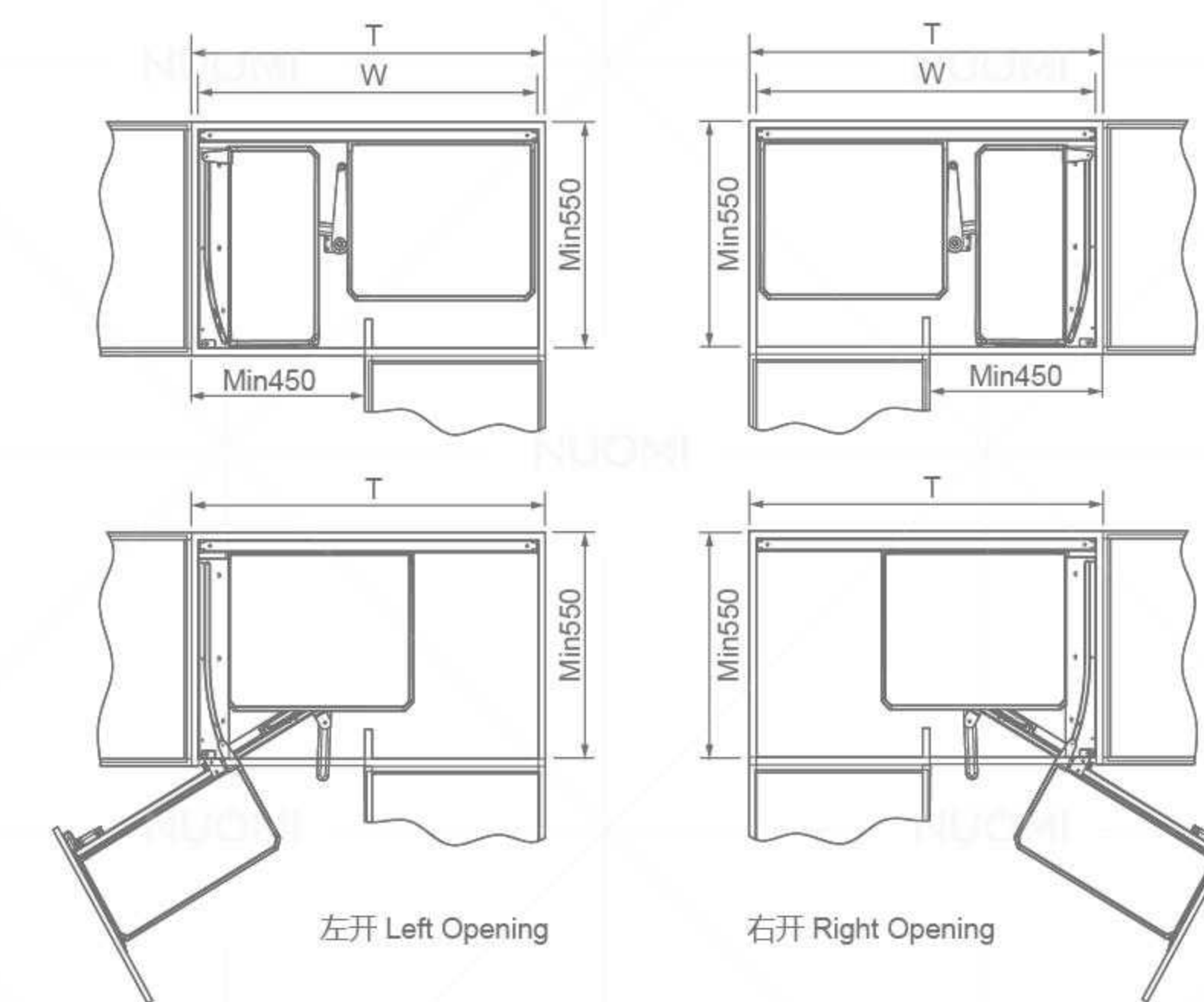
充分利用转角位置，分体连动的的设计，可把全部篮子拉出柜体，极大方便储物。在左开转角或右开转角中均可安装。



ENCANTO MAGIC CORNER 魅影小怪物



支架型号 Frame item No.	篮体型号 Basket item No.	适用柜宽 (T) Cabinet width	宽度 x 深度 x 高度 Width x Depth x Height	描述 Description		
香槟金 Champagne gold	太郎灰 Highclass grey	香槟金 Champagne gold	太郎灰 Highclass grey			
1010001C	1010001B	1010170	1010180	900-1000mm	(860-960)x530x520mm	左开 /Left open
1010002C	1010002B	1010170	1010180	900-1000mm	(860-960)x530x520mm	右开 /Right open

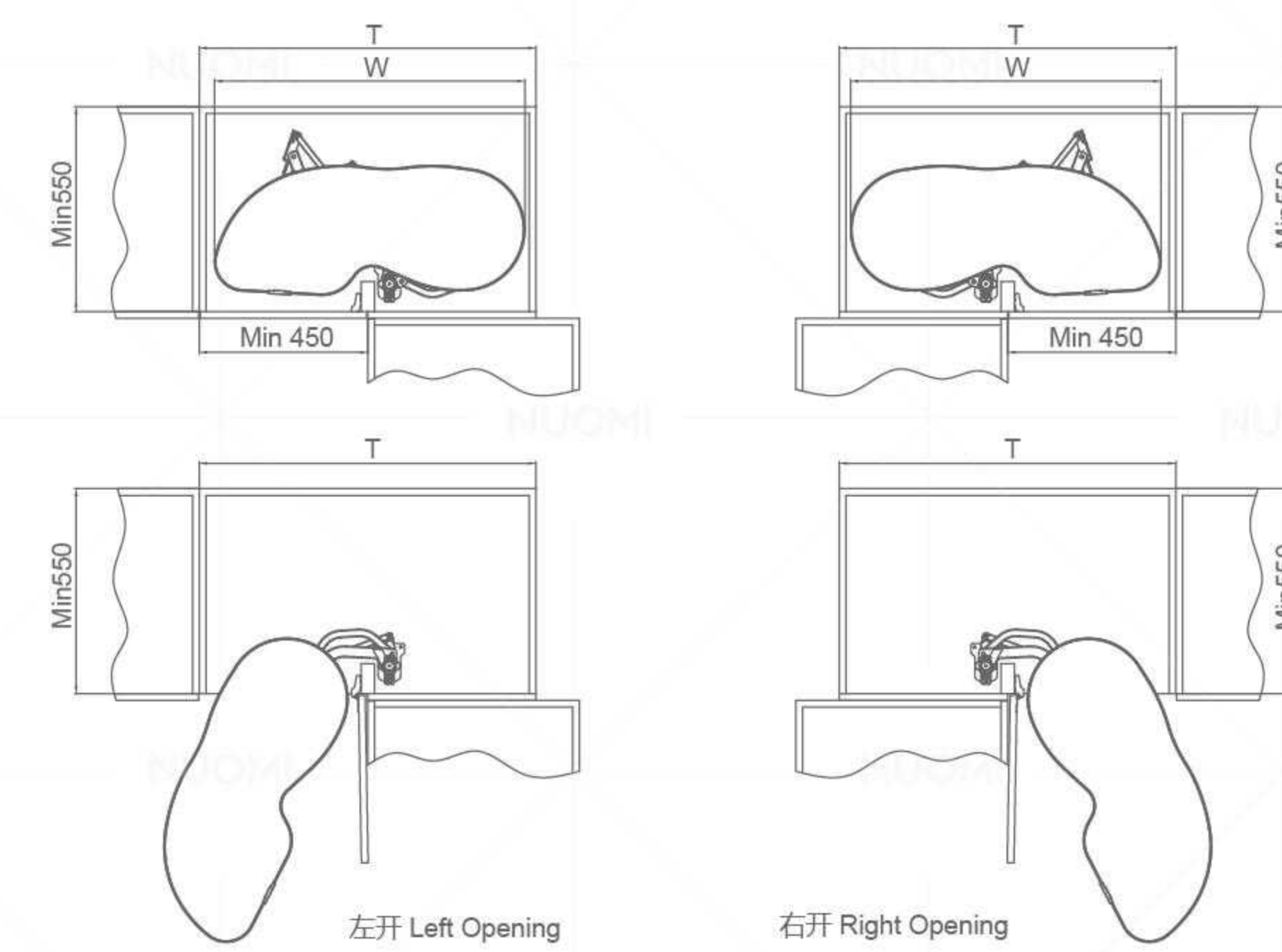




ENCANTO REVOLVING SAUCER 魅影阻尼飞碟



型号 Item No.	适用柜宽 (T) Cabinet width	宽度 x 深度 x 高度 Width x Depth x Height	材质 Material	表面处理 Surface treatment	描述 Description
香槟金 Champagne gold	太郎灰 Highclass grey				
1020061	1020071	900-1000mm 828x500x(620-720)mm	铝合金 /Aluminium	氟碳喷涂 /Fluorocarbon coating	左开 /Left open
1020062	1020072	900-1000mm 828x500x(620-720)mm	铝合金 /Aluminium	氟碳喷涂 /Fluorocarbon coating	右开 /Right open

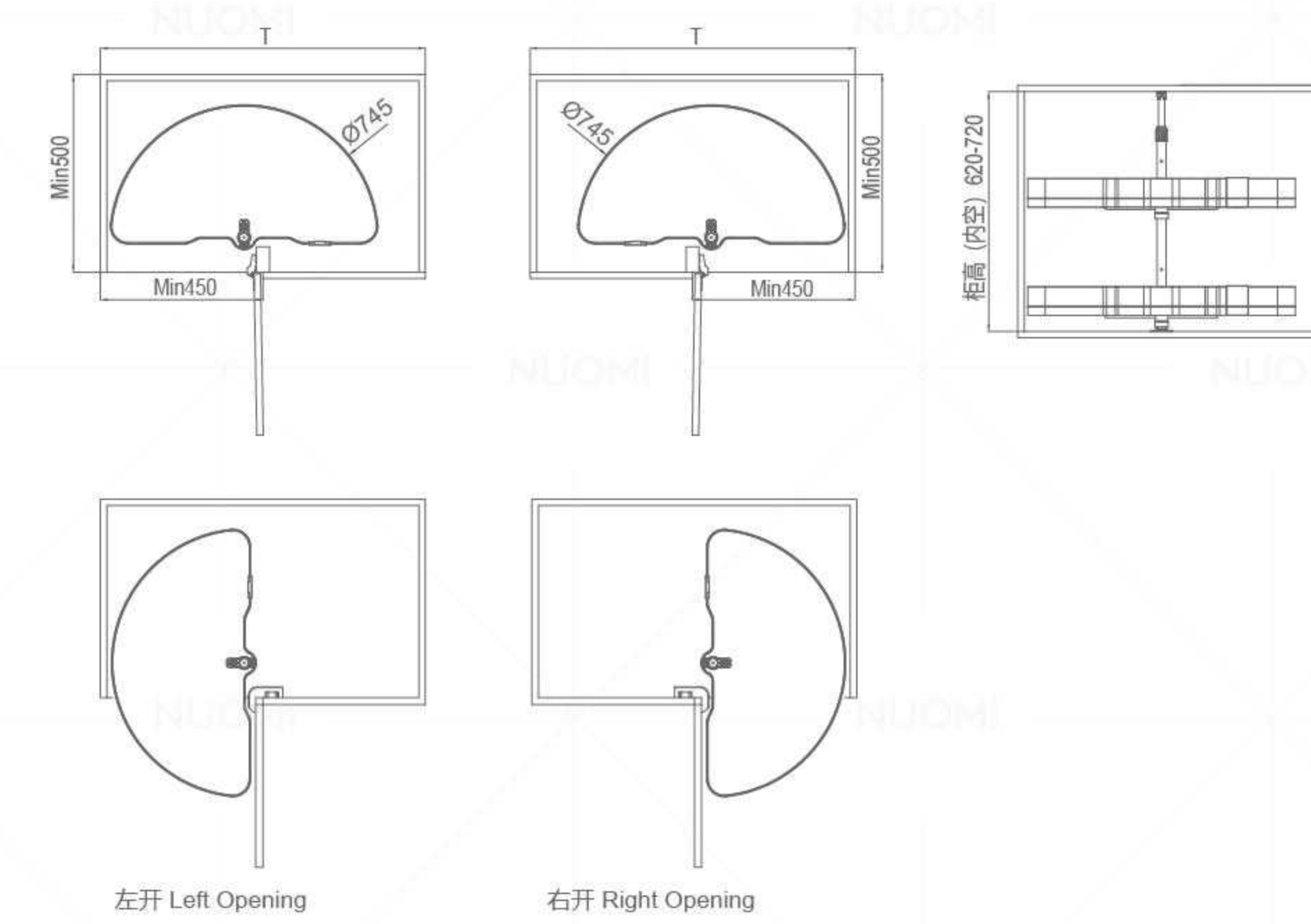




ENCANTO 180°TURNTABLE SHELF 魅影 180°双层转盘



型号 Item No.	适用柜宽 (T) Cabinet width	宽度 x 深度 x 高度 Width x Depth x Height	材质 Material	表面处理 Surface treatment
香槟金 Champagne gold	太郎灰 Highclass grey			
1030062	1030072	800-1000mm	铝合金 /Aluminium	氟碳喷涂 /Fluorocarbon coating

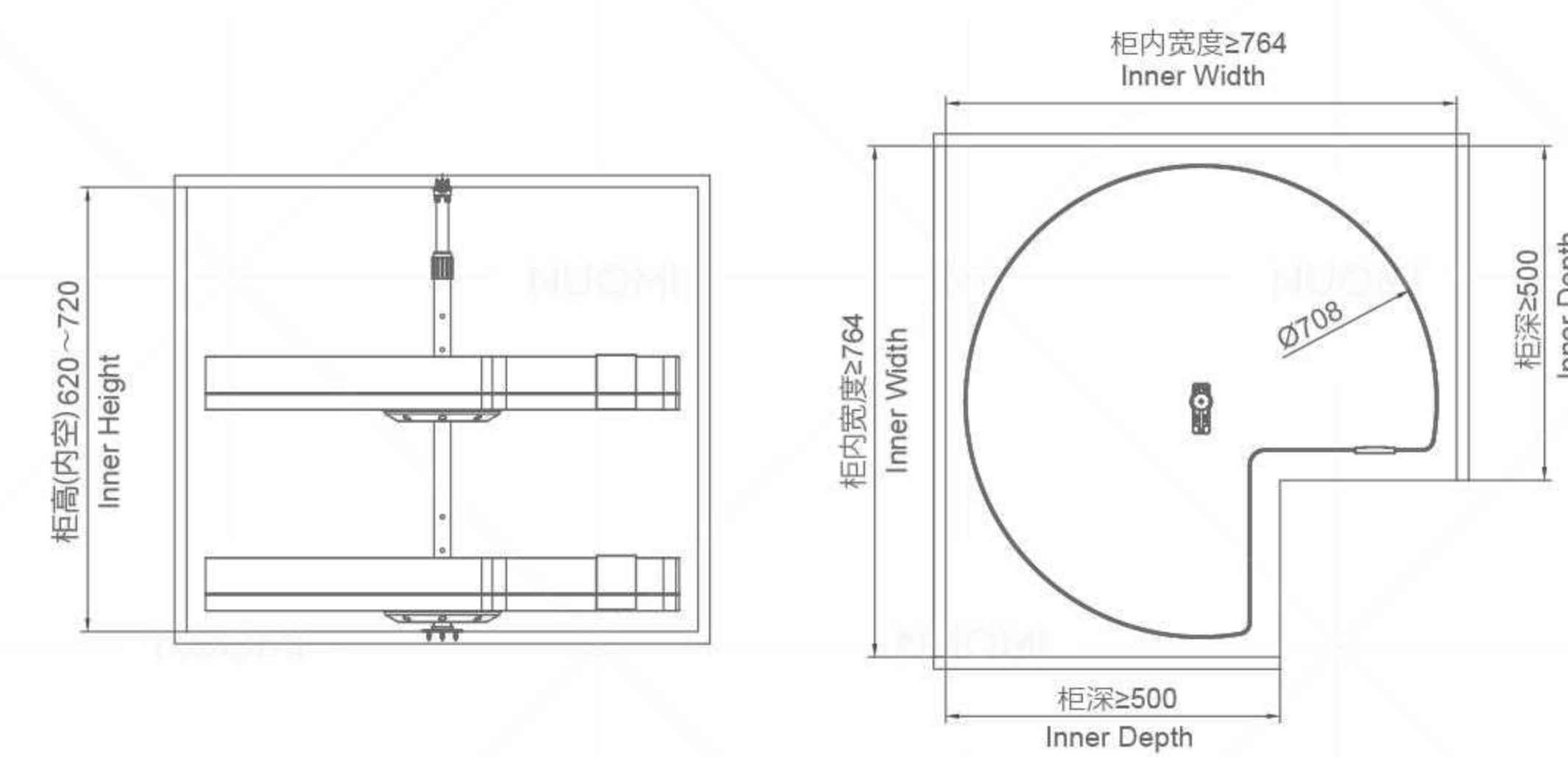




ENCANTO 270°TURNTABLE SHELF 魅影 270°双层转盘



型号 Item No.	适用柜宽 (T) Cabinet width	宽度 x 深度 x 高度 Width x Depth x Height	材质 Material	表面处理 Surface treatment
香槟金 Champagne gold	太郎灰 Highclass grey			
1030061	1030071	800-1000mm	铝合金 /Aluminium	氟碳喷涂 /Fluorocarbon coating



# AIRCRAFT CARRIER CABIN

## 高柜系统

Unique linkage structure, bring out all the baskets at the same time when opening the door, making it easy to store items. Mute design, make the product operate smoothly and steadily during the opening and closing process. Double-slide design, strengthen the product's load-bearing capacity and keep the pull-out steady.

独特的连动设计，在开门的同时带出全部篮子，方便存放物品。静音设计，使产品在开合过程中，始终保持平稳、顺畅的效果。双导轨设计，一改以往单导轨模式，强化产品的承载能力，并使拉出保持平稳。





Function 功能

German technology, super load-bearing damping, fully pull-out guide rail, cabinet door is suggested being amounted with 165° hinge, product can be completely pulled out. Mounting height of basket can be adjusted flexibly, convenient to store items. The basket is quadrate design, extraordinary capacity.

融合德国技术的超强承重大型阻尼全拉出导轨，与165°铰链配合安装，可将产品全拉出柜身；篮子安装高度可灵活调节，极大方便存取物品；篮子方正宽阔，贮量巨大。

Quality 品质

Sides of basket is made of superior aviation aluminium alloy, advanced fluorocarbon coating surface treatment technology, strong rust resistance, abrasive resistance. The linkage structure is made of premium steel, European standard environmental surface treatment technology, running smooth and stable.

篮子边框选用优质航空铝合金，表面采用精湛氟碳喷涂工艺，保证防腐防锈，耐磨防刮，久用如新，质感卓越；联动框架选用优质钢材，表面经过欧标环保工艺处理，联动结构运动顺滑、流畅，完美开合。

Design 设计

Two color options, Champagne Gold and Highclass Grey. Slim sides design, interpreting minimalism and light luxury style, enhance the taste of kitchen storage. The bottom is covered by non-slip mat, prevent the items from collision, and convenient to clean at the same time.

香槟金和太那灰两种色彩选择，纤薄板式围边，完美诠释家居极简轻奢风格，使厨房收纳空间更加优雅有品位；底板防滑垫应用，防止运动过程中物品的碰撞以及噪声，同时方便清洁。

Storage 储物

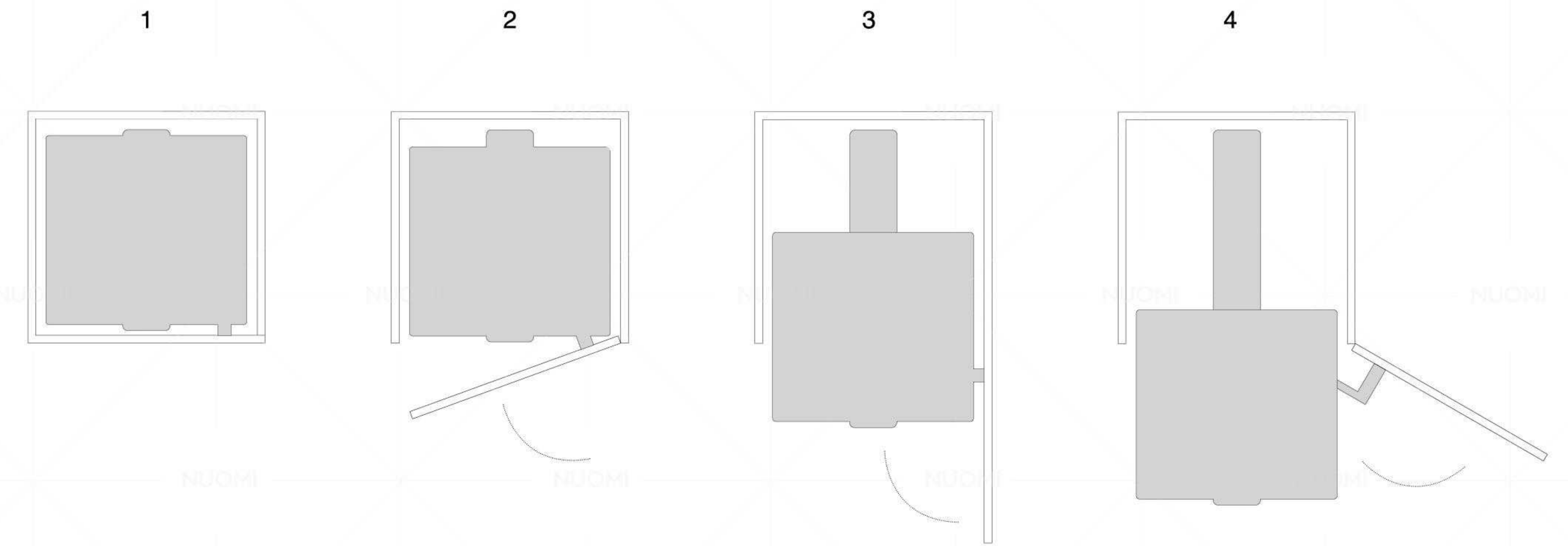
It is recommended to store frequently-used kitchen utensils, snacks, dried fruit or condiments. It is suitable to be used with embedded refrigerator in high cabinet combination, not only can convenient to fetch items, but also can reduce the abrupt feeling of single use.

建议储存常用的厨房器皿、零食、干果或调味品；适合设计在高柜组合中与内嵌式冰箱搭配使用，既方便物品的存取和转移，又能避免单独使用产生的突兀感。

Loading Capacity 承重

Total Max loading 75KG, each basket Max loading 15KG.

整套最大承重 75KG，每个篮最大承重 15KG。



Storage Capacity 收纳展示



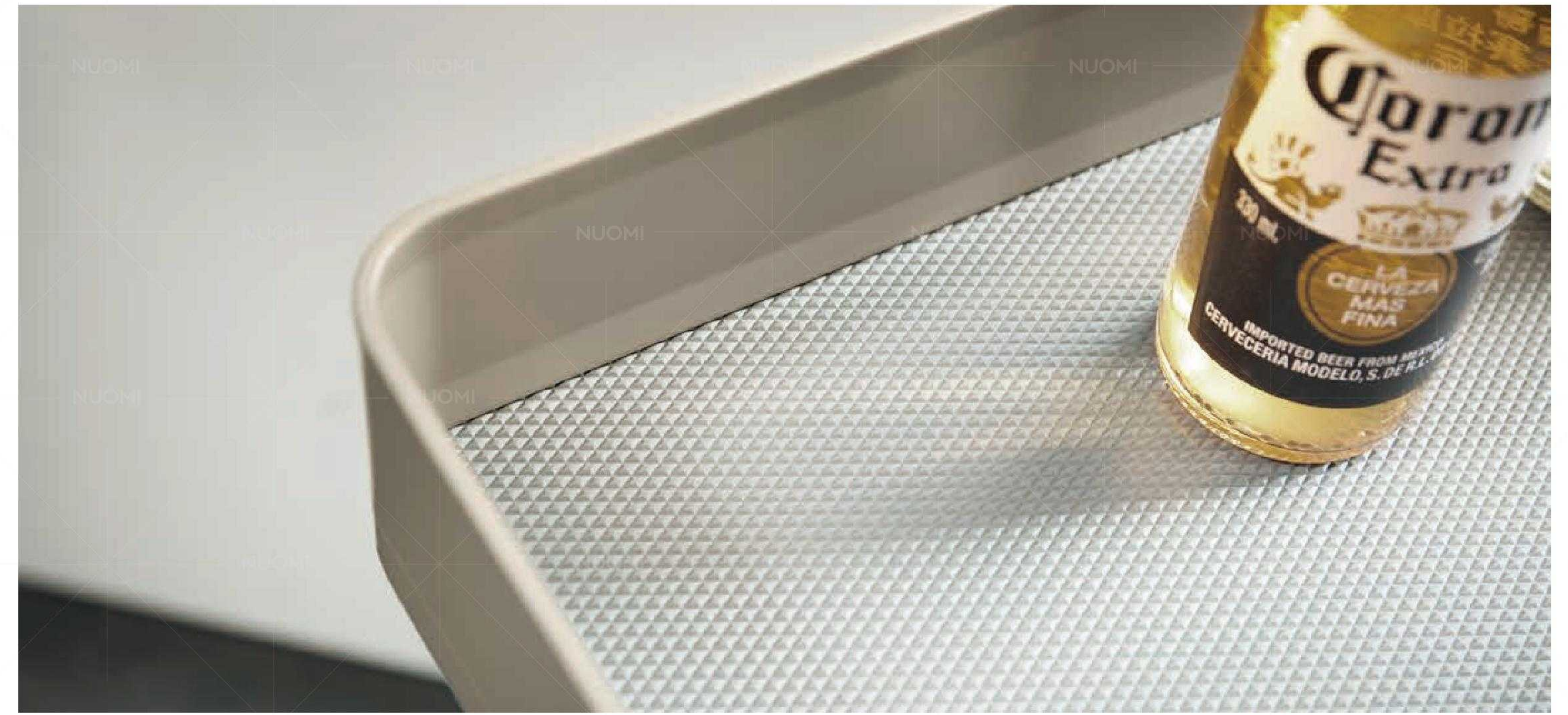
Function and daily practical perfect union, through confluence all sorts of contradictions, create a real special work: which is suitable for kitchen to store all kinds of articles.

功能与日常实用性完美结合，通过融合各种矛盾，创造出真正的非凡之作：一款适合厨房收纳各种物品的性能强大的功能五金。

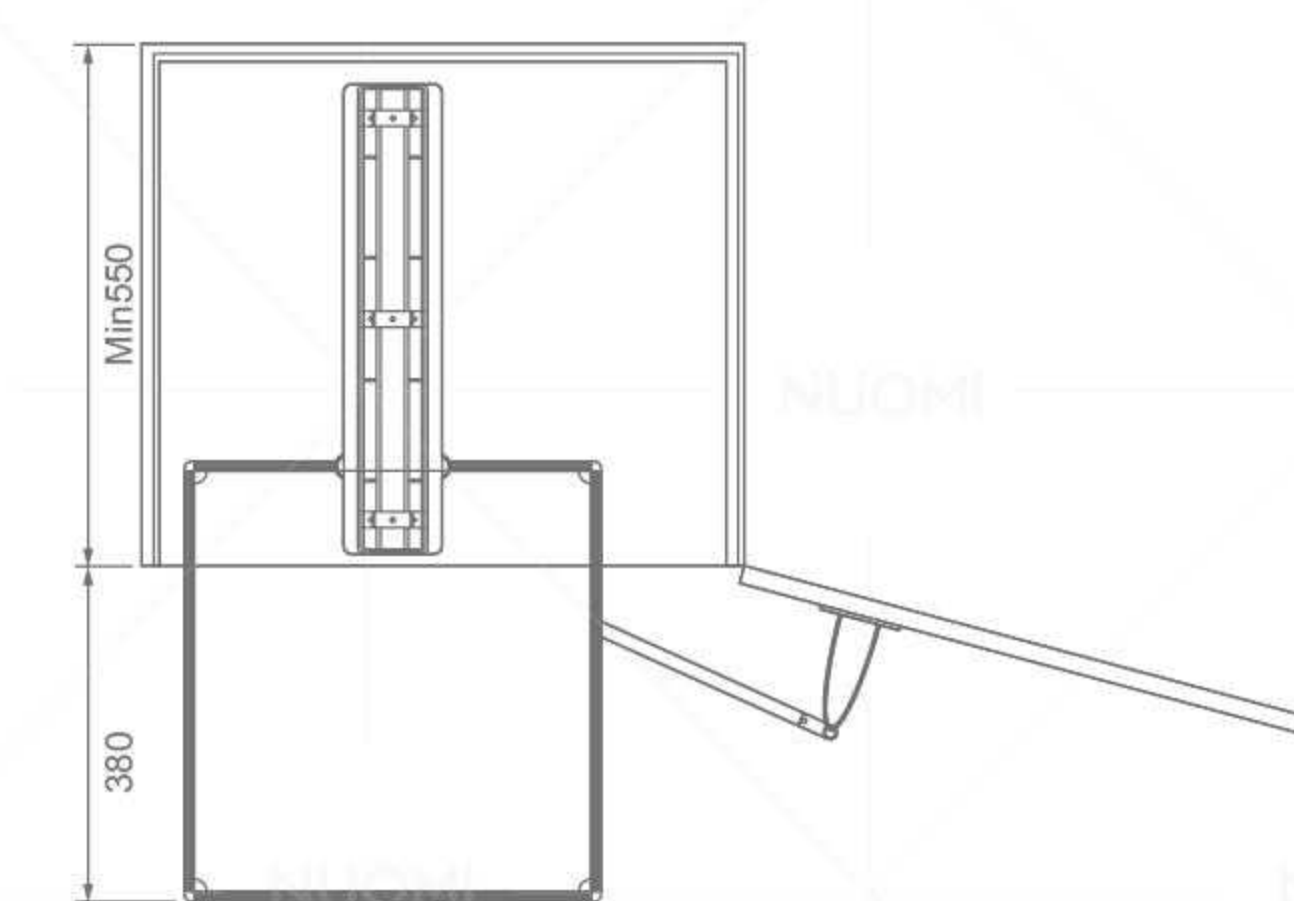
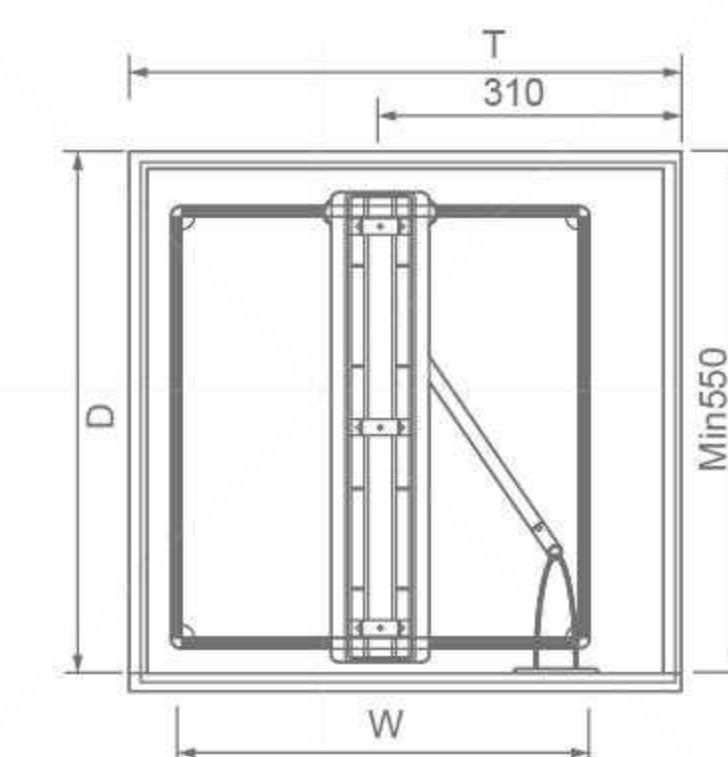




ENCANTO AIRCRAFT CARRIER CABIN 魅影航母台



支架型号 Frame item No.	篮体型号 Basket item No.	适用柜宽 (T) Cabinet width	宽度 x 深度 x 高度 Width x Depth x Height	描述 Description		
香槟金 Champagne gold	太郎灰 Highclass grey	香槟金 Champagne gold	太郎灰 Highclass grey			
2030002C	2030002B	2030172	2030182	450mm	(404-424)x500x1780mm	5层 /Tiers
2030002C	2030002B	2030174	2030184	600mm	(554-574)x500x1780mm	5层 /Tiers



建议门板使用 165°铰链  
Suggesting cabinet door being mounted with 165° hinge

# PANTRY ROLL-OUT

魅影大怪物

Slim sides design, interpreting minimalism and light luxury style, enhance the taste of kitchen storage. The bottom is covered by non-slip mat, prevent the items from collision, and convenient to clean at the same time.

纤薄板式围边，完美诠释家居极简轻奢风格，使厨房收纳空间更加优雅有品位；底板防滑垫应用，防止运动过程中物品的碰撞以及噪声，同时方便清洁。





Function 功能

German technology, super load-bearing, widen roller structure guide rail, simple and brand new linkage structure, pull out the inner baskets while opening the door. Load-bearing point of cabinet door focus on bottom of cabinet, protect the door from deformation.

融合德国技术的超强承重滚轮结构轨道，整体框架采用新型联动结构，合理分割横向空间，开门同时联动内部篮子滑动至你的面前，物品一目了然。柜门挂篮承重重点设计在柜体底部，保护柜门不会因承重变形。触手可及，存取方便。

Quality 品质

Sides of basket is made of superior aviation aluminium alloy, advanced fluorocarbon coating surface treatment technology, strong rust resistance, abrasive resistance. The linkage structure is made of premium steel, European standard environmental surface treatment technology, running smooth and stable.

篮子边框选用优质航空级铝合金，表面采用精湛氟碳喷涂工艺，保证防腐防锈，耐磨防刮，久用如新，质感卓越；联动框架选用优质钢材，表面经过欧标环保工艺处理，联动结构运动顺滑、流畅，完美开合。

Design 设计

Two color options, Champagne Gold and Highclass Grey. Slim sides design, interpreting minimalism and light luxury style, enhance the taste of kitchen storage. The bottom is covered by non-slip mat, prevent the items from collision, and convenient to clean at the same time.

香槟金和太师灰两种色彩选择，纤薄板式围边，完美诠释家居极简轻奢风格，使厨房收纳空间更加优雅有品位；底板防滑垫应用，防止运动过程中物品的碰撞以及噪声，同时方便清洁。

Storage 储物

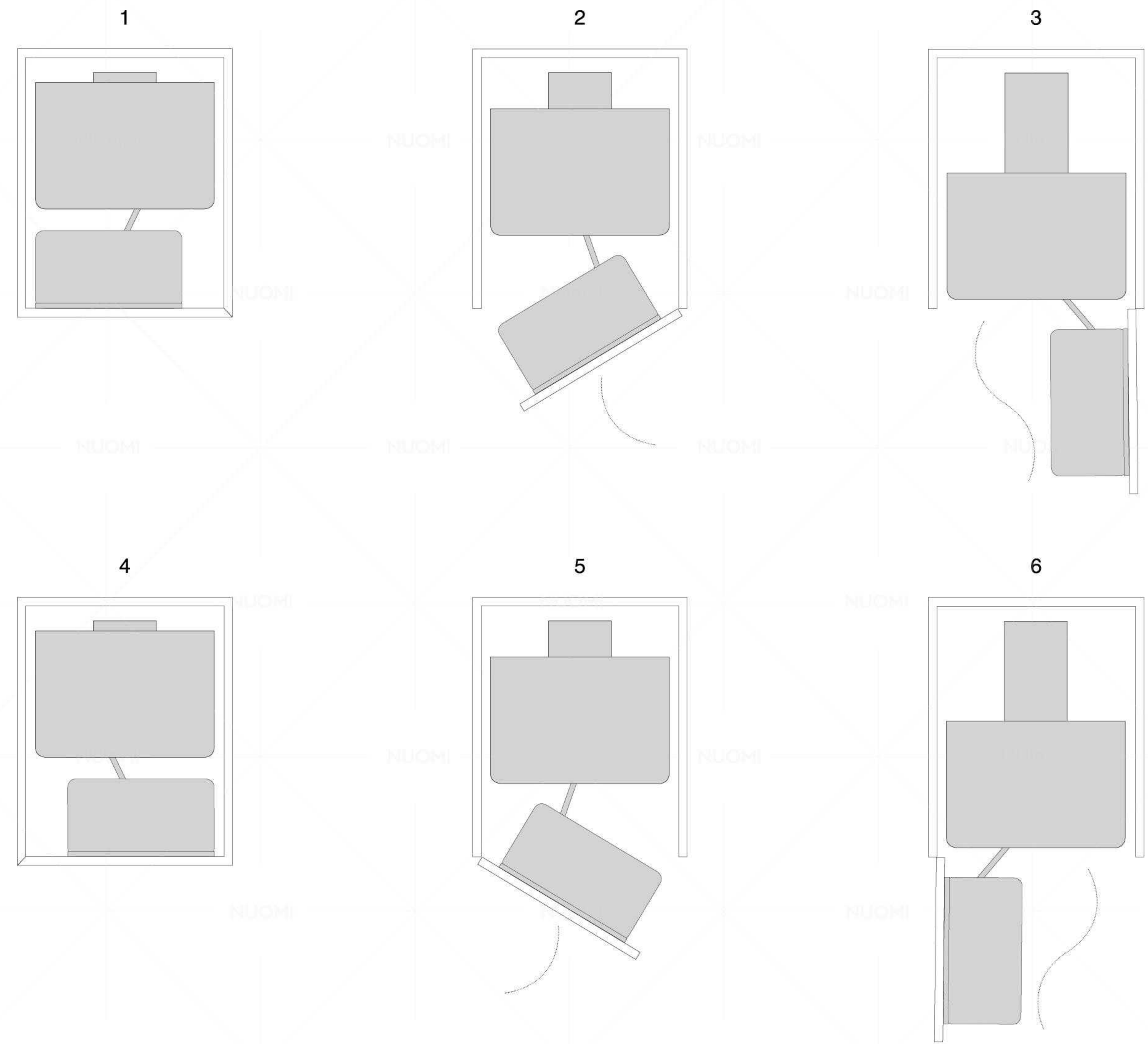
It is recommended to store frequently-used kitchen utensils, snacks, dried fruit or condiments. It is suitable to be used with embedded refrigerator in high cabinet combination, not only can convenient to fetch items, but also can reduce the abrupt feeling of single use.

建议储存常用的厨房器皿、零食、干果或调味品；适合设计在高柜组合中与内嵌式冰箱搭配使用，既方便物品的存取和转移，又能避免单独使用产生的突兀感。

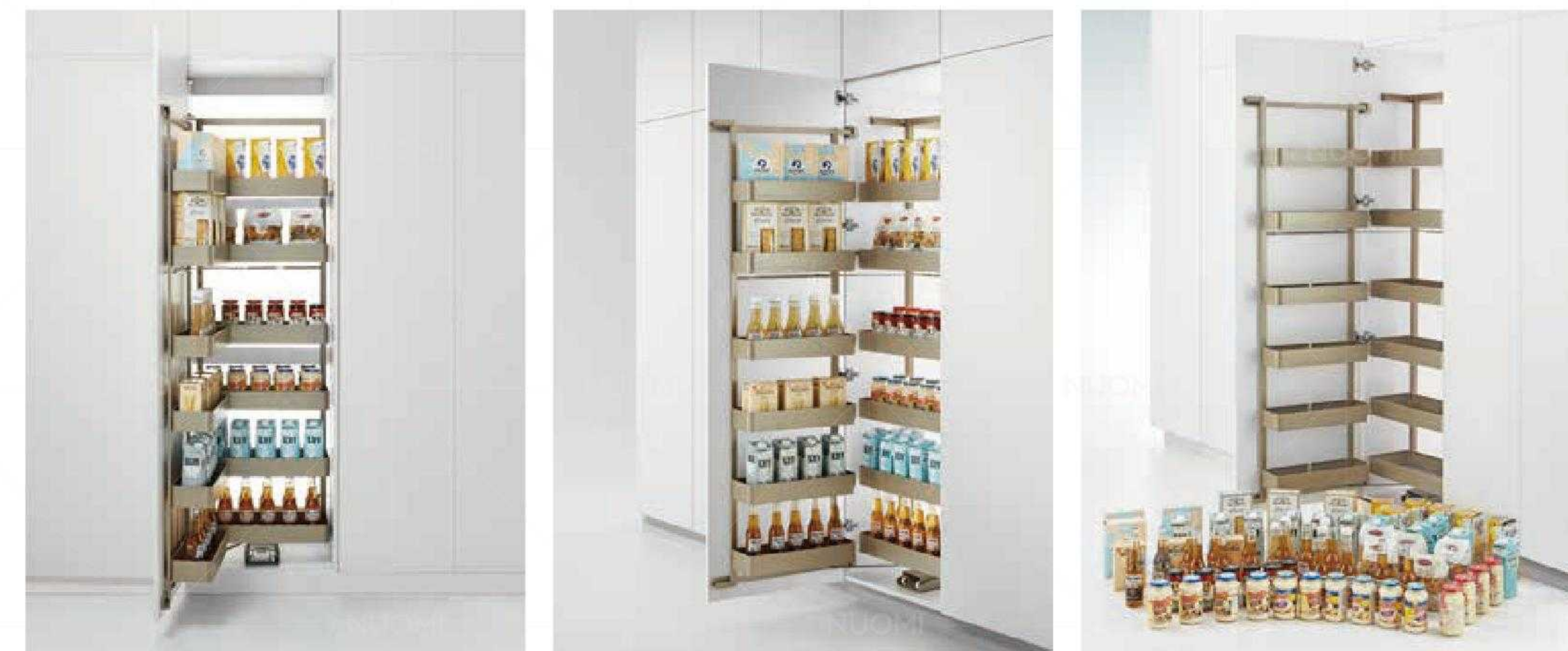
Loading Capacity 承重

Max loading for each bigger basket 5KG, Max loading for each smaller basket 3KG.

每个大篮最大承重 5KG，每个小篮最大承重 3KG。



Storage Capacity 收纳展示



Function and daily practical perfect union, through confluence all sorts of contradictions, create a real special work: a suit the kitchen receives the functional hardware with the powerful performance of all sorts of articles.

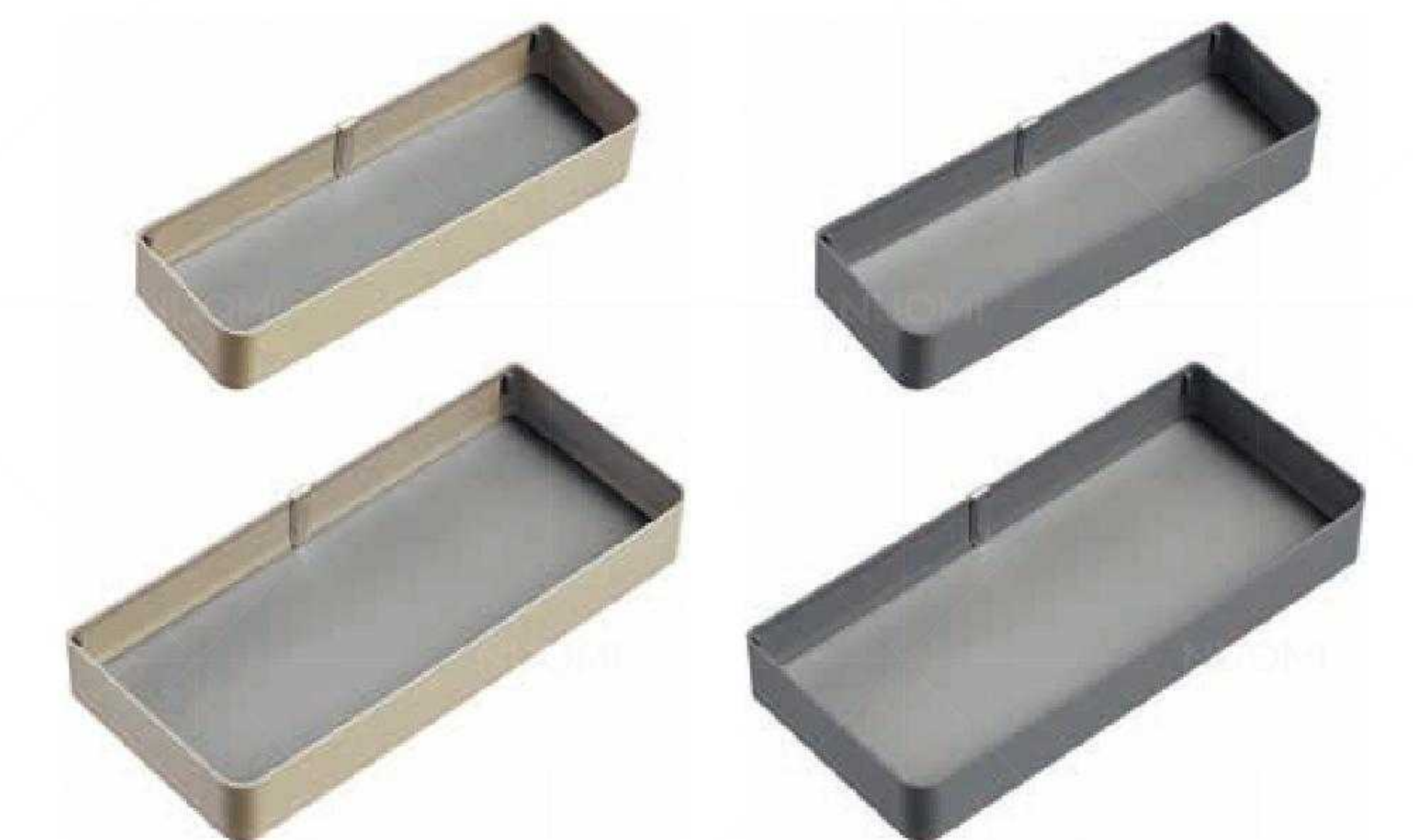
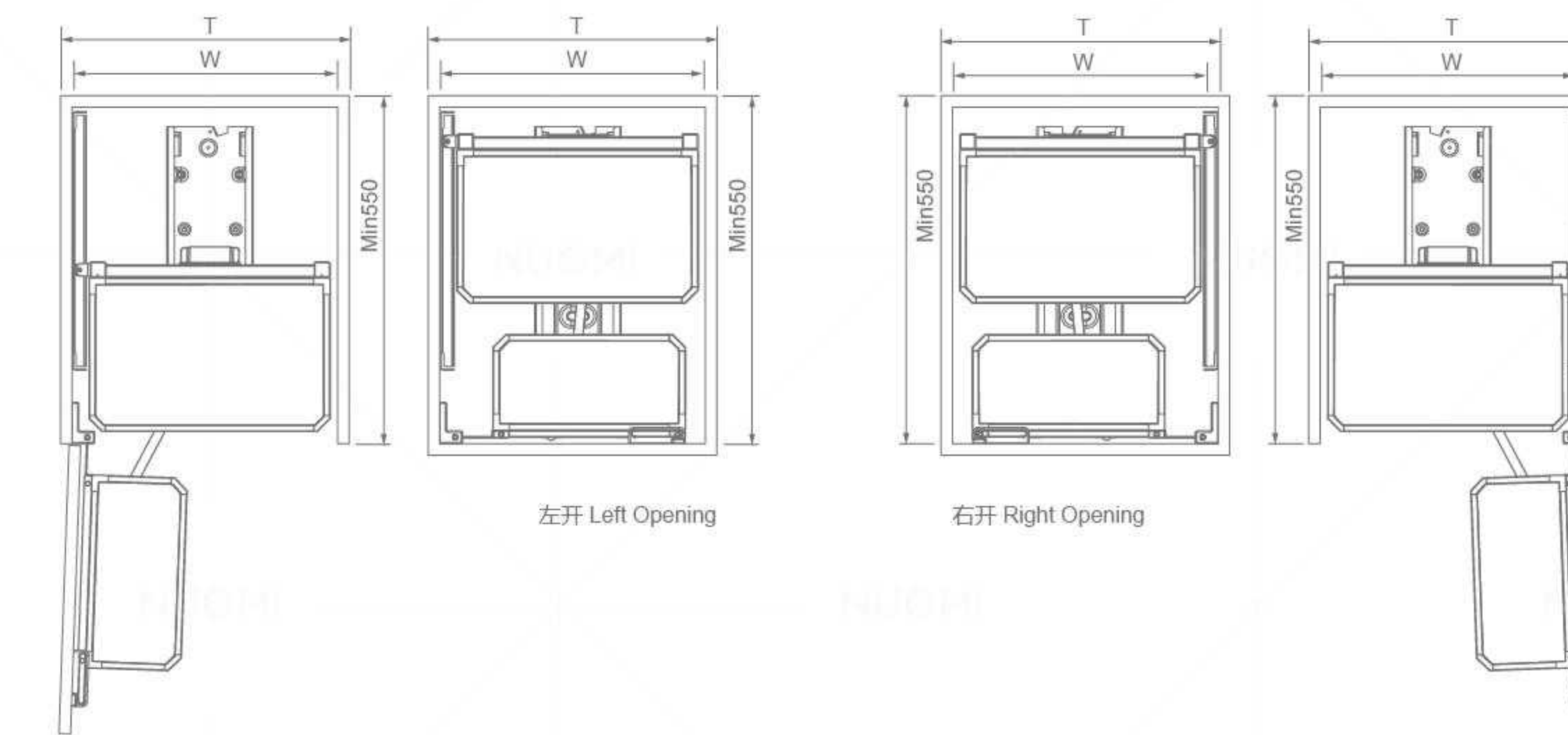
功能与日常实用性完美结合，通过融合各种矛盾，创造出真正的非凡之作：一款适合厨房收纳各种物品的性能强大的功能五金。



PANTRY ROLL-OUT 魅影大怪物



支架型号 Frame item No.	篮体型号 Basket item No.	适用柜宽 (T) Cabinet width	宽度 x 深度 x 高度 Width x Depth x Height	描述 Description		
香槟金 Champagne gold	太郎灰 Highclass grey	香槟金 Champagne gold	太郎灰 Highclass grey			
2020001C	2020001B	2020171	2020181	450mm	405x500x(1180 以上 above)mm	4层/Tiers
2020002C	2020002B	2020172	2020182	450mm	405x500x(1430 以上 above)mm	5层/Tiers
2020003C	2020003B	2020173	2020183	450mm	405x500x(1780 以上 above)mm	6层/Tiers
2020004C	2020004B	2020174	2020184	600mm	555x500x(1180 以上 above)mm	4层/Tiers
2020005C	2020005B	2020175	2020185	600mm	555x500x(1430 以上 above)mm	5层/Tiers
2020006C	2020006B	2020176	2020186	600mm	555x500x(1780 以上 above)mm	6层/Tiers



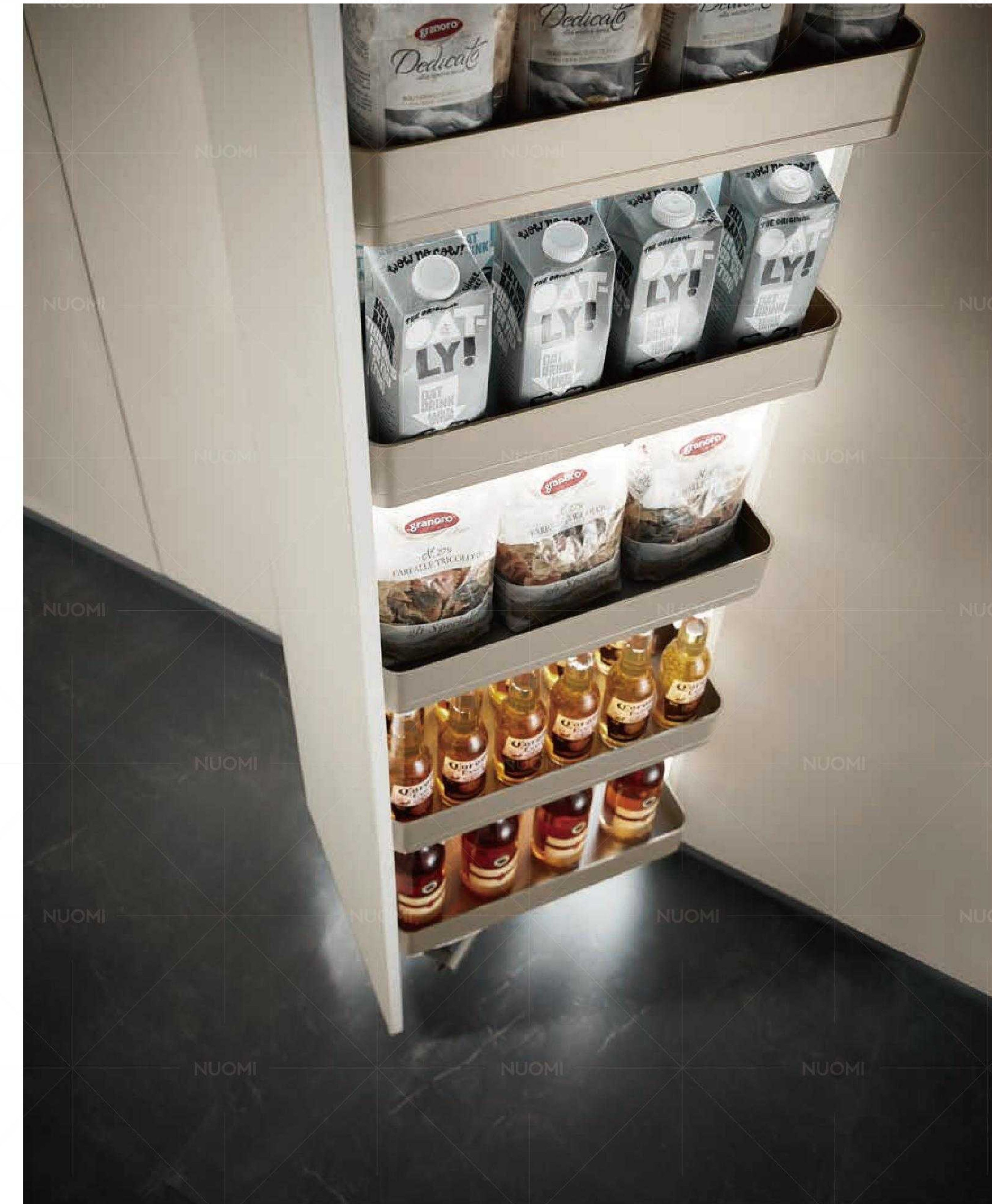
# TALL UNIT

## 魅影阻尼旋转高身篮

Heavy damping rail technology is also the key to achieve running function of the tall Cabinet width, especially under heavy loading weight reflecting the perfect balance of supporting capacity and storage function.

重型阻尼导轨技术也是实现高柜功能的关键，尤其在承重量达到相当程度的前提下，整体顺滑拉出时，重型阻尼技术都为使用者提供绝佳的功能保障，体现了支撑能力与收纳功能的完美平衡。





Simple design, the perfect combination of beauty and storage function, make your dream kitchen.

去繁就简，窥见生活简练一面。美观与储物完美结合，让梦想厨房更贴近您的生活。



Function 功能

German technology super load-bearing damping guide rail, synchronization damping design of upper and bottom guide rails, running smooth and stable, Mounting height of basket can be adjusted flexibly, extraordinary capacity. Unique 180°rotatable structure, convenient to store items.

融合德国技术的超强承重大型阻尼全拉出导轨，上下轨同步阻尼设计，推拉顺滑、平稳、静谧。贮容巨大，篮子安装高度可灵活调节，独创 180°左右旋转功能结构，极大方便存取物品。

Quality 品质

Sides of basket is made of superior aluminium alloy, advanced fluorocarbon coating surface treatment technology, strong rust resistance, abrasive resistance. The linkage structure is made of premium steel, European standard environmental surface treatment technology, running smooth and stable.

篮子边框选用优质航空级铝合金，表面采用精湛氟碳喷涂工艺，保证防腐防锈，耐磨防刮，久用如新，质感卓越；联动框架选用优质钢材，表面经过欧标环保工艺处理，联动结构运动顺滑、流畅，完美开合。

Design 设计

Two color options, Champagne Gold and Highclass Grey. Slim sides design, interpreting minimalism and light luxury style, enhance the taste of kitchen storage. The bottom is covered by non-slip mat, prevent the items from collision, and convenient to clean at the same time.

香槟金和太师灰两种色彩选择，纤薄板式围边，完美诠释家居极简轻奢风格，使厨房收纳空间更加优雅有品位；底板防滑垫应用，防止运动过程中物品的碰撞以及噪声，同时方便清洁。

Storage 储物

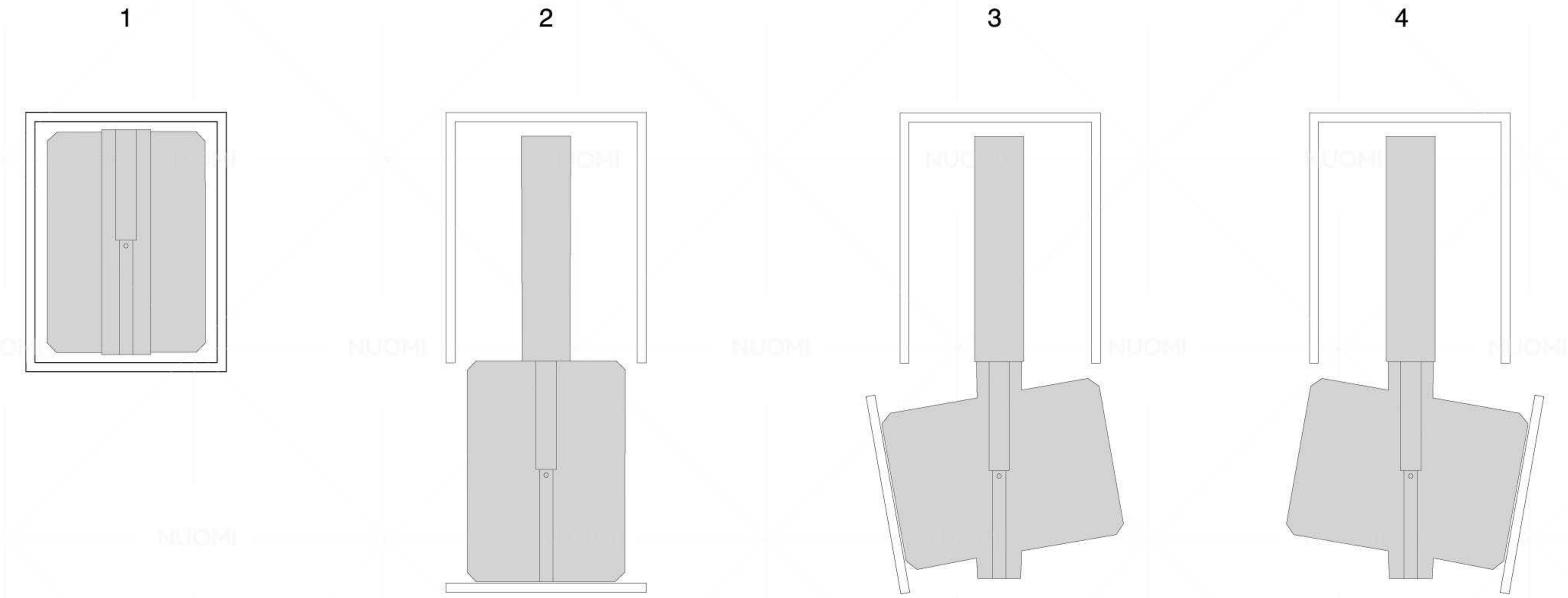
It is recommended to store frequently-used kitchen utensils, snacks, dried fruit or condiments. It is suitable to be used with embedded refrigerator in high cabinet combination, not only can convenient to fetch items, but also can reduce the abrupt feeling of single use.

建议储存常用的厨房器皿、零食、干果或调味品；适合设计在高柜组合中与内嵌式冰箱搭配使用，既方便物品的存取和转移，又能避免单独使用产生的突兀感。

Loading Capacity 承重

Max loading of each basket 10KG.

每个篮最大承重 10KG。



直拉式支架实现状态 / Straight Pull-out Tall Unit : 1、2  
180°旋转支架实现状态 / 180° Revolving Tall Unit : 1、2、3、4

Storage Capacity 收纳展示



The heavy damping guide rail technology is also the key to the realization of high cabinet pull-push function. Especially on the premise of a considerable weight, the heavy damping technology provides the user with excellent function guarantee during the holistic slippery pull-out, which embodies the perfect balance between the supporting capacity and the storage function.

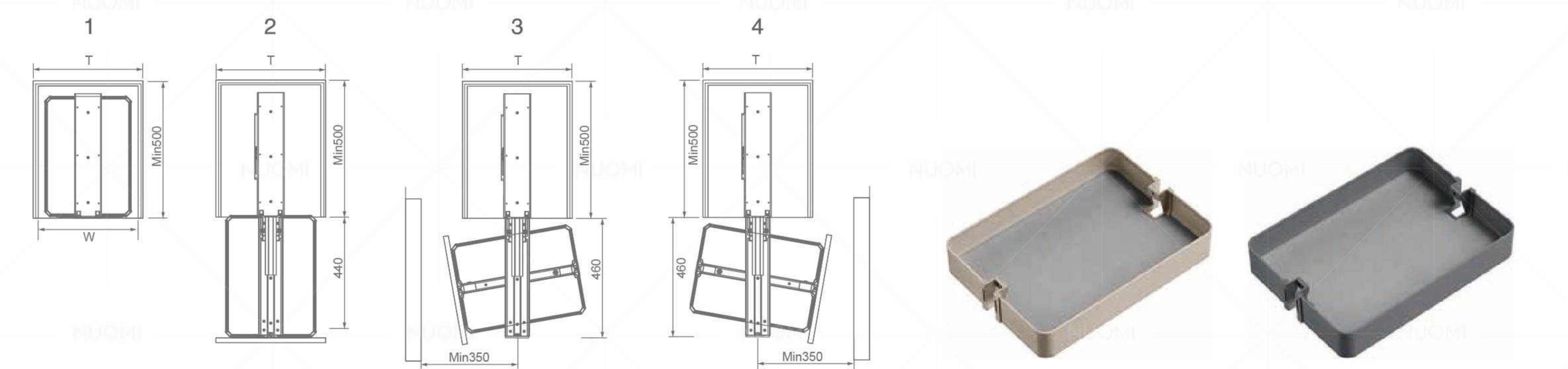
重型阻尼导轨技术也是实现高柜拉伸功能的关键，尤其在承重量达到相当程度的前提下，整体顺滑拉出时，重型阻尼技术都为使用者提供绝佳的功能保障，体现了支撑能力与收纳功能的完美平衡。



SOFT CLOSE TALL UNIT 魅影阻尼旋转高身篮



支架型号 (180°旋转) Frame item No.(180° Revolving)		篮体型号 Basket item No.		导轨型号 Rail item No.		适用柜宽 (T) Cabinet width	宽度 x 深度 x 高度 Width x Depth x Height	描述 Description
香槟金 Champagne gold	太郎灰 Highclass grey	香槟金 Champagne gold	太郎灰 Highclass grey	香槟金 Champagne gold	太郎灰 Highclass grey			
2010001C	2010001B	2010171	2010181	2010007C	2010007B	300mm	240x480x(1180-1480)mm	4层/Tiers
2010002C	2010002B	2010172	2010182	2010007C	2010007B	300mm	240x480x(1430-1730)mm	5层/Tiers
2010003C	2010003B	2010173	2010183	2010007C	2010007B	300mm	240x480x(1780-2080)mm	6层/Tiers
2010001C	2010001B	2010174	2010184	2010008C	2010008B	400mm	340x480x(1180-1480)mm	4层/Tiers
2010002C	2010002B	2010175	2010185	2010008C	2010008B	400mm	340x480x(1430-1730)mm	5层/Tiers
2010003C	2010003B	2010176	2010186	2010008C	2010008B	400mm	340x480x(1780-2080)mm	6层/Tiers



180°旋转支架实现状态 /180° Revolving Tall Unit : 1、2、3、4



# BASE CABINET STORAGE

## 地柜系统

Reasonable planning of your space display, from top to bottom, in an orderly way, let you show your skills in an orderly space, about life, we should be more free.

合理规划您的空间陈列，自上而下，有条不紊，让您在有序空间里大展身手，关于生活，我们本该更自由一些。







## Function & Technology 功能与技术



### Function 功能

Pull out basket for base cabinet, proper space partition design,satisfy the needs of storing different sizes of plates,dishes,chopsticks,spoons,slices,cups, small soup pots,making the kitchen storage neat and orderly.

橱柜基础收纳拉篮，科学合理收纳分区设置，满足各大小尺寸的碗碟、筷子汤勺、锅铲、杯子、小型汤锅等日常厨房用品存储，让厨房收纳井井有条，赏心悦目。

### Quality 品质

The whole basket is made of superior aviation aluminium alloy,advanced fluorocarbon surface treatment technology,strong corrosion resistance,rust resistance,abrasive resistance.The guide rail passed the European standard SGS 80000 movement test.

整个篮体选用优质航空级太空铝合金，表面采用精湛氟碳工艺，保证防腐防锈，耐磨防刮，久用如新，质感卓越；产品导轨通过欧标 SGS 80000 次运动测试。

### Design 设计

Two color options,Champagne Gold and Highclass Grey. Slim sides design, interpreting minimalism and light luxury style, enhance the taste of kitchen storage. The bottom is covered by non-slip mat,prevent the items from collision,and convenient to clean at the same time. Unique structure of pullout basket, with sliding inner cutlery tray, improve space utilization rate. Moveable dish rack,knife and fork box,convenient and flexible. Quick installation structure for cabinet door ,easy and convenient to install.

香槟金和太尔灰两种色彩选择，纤薄板式围边，完美诠释家居极简轻奢风格，使厨房收纳空间更加优雅有品位；底板防滑垫应用，防止运动过程中物品的碰撞以及噪声，同时方便清洁；通过抽中抽多层收纳结构提升立体空间利用率，同时可移动式碗碟架及刀叉盒，方便清洁卫生和灵活使用；拉篮采用快装门板设计，安装简易、方便。

### Storage 储物

It is recommended to store frequently-used pot, cooker, tableware, dish, bowl, utensil and so on.

储存各类常用的锅具、炊具、餐具、碗碟、器皿等。

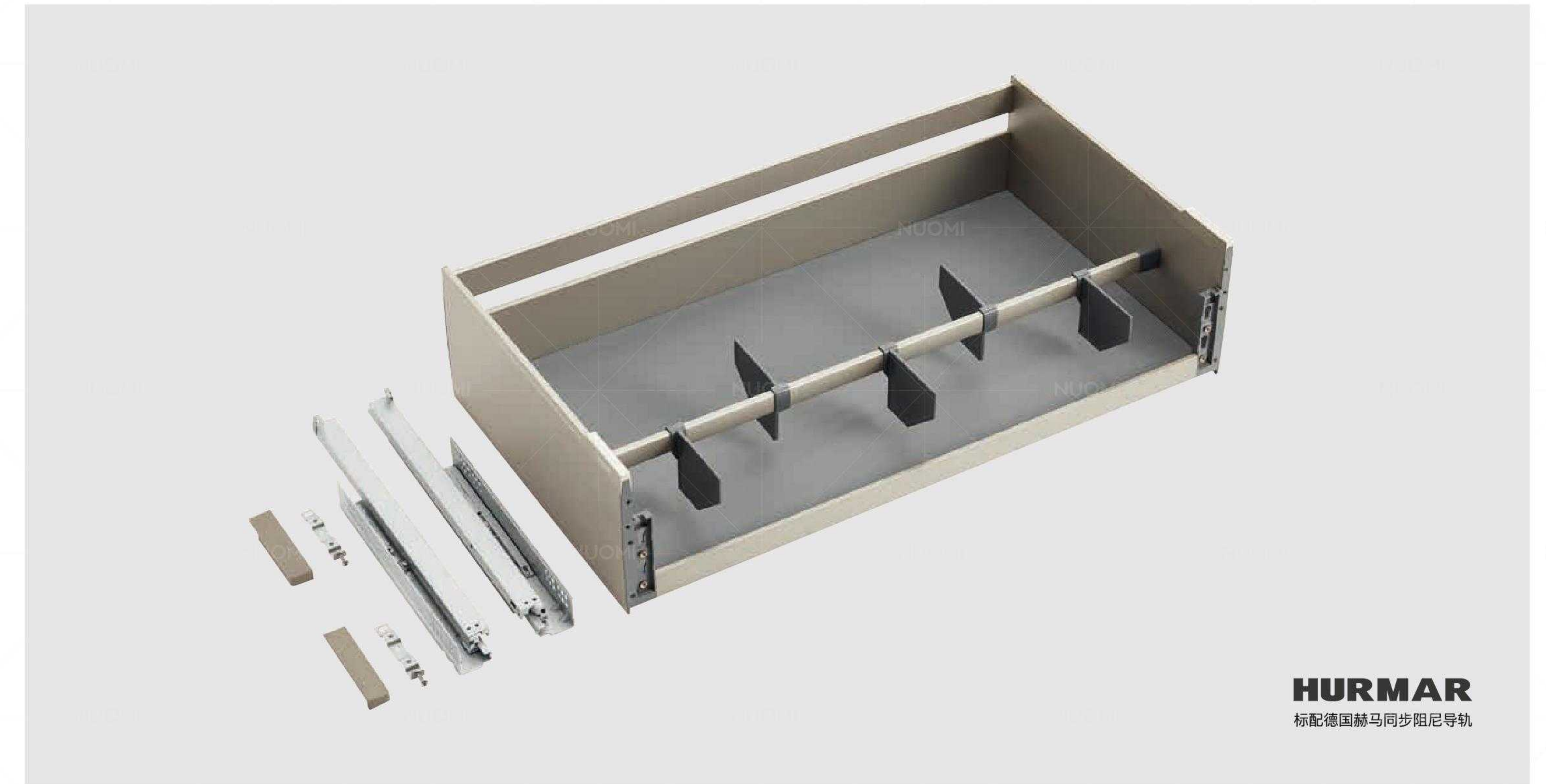
### Loading Capacity 承重

Germany Brand HURMAR soft-close synchronous slide,smooth movement, Max loading: 30KG

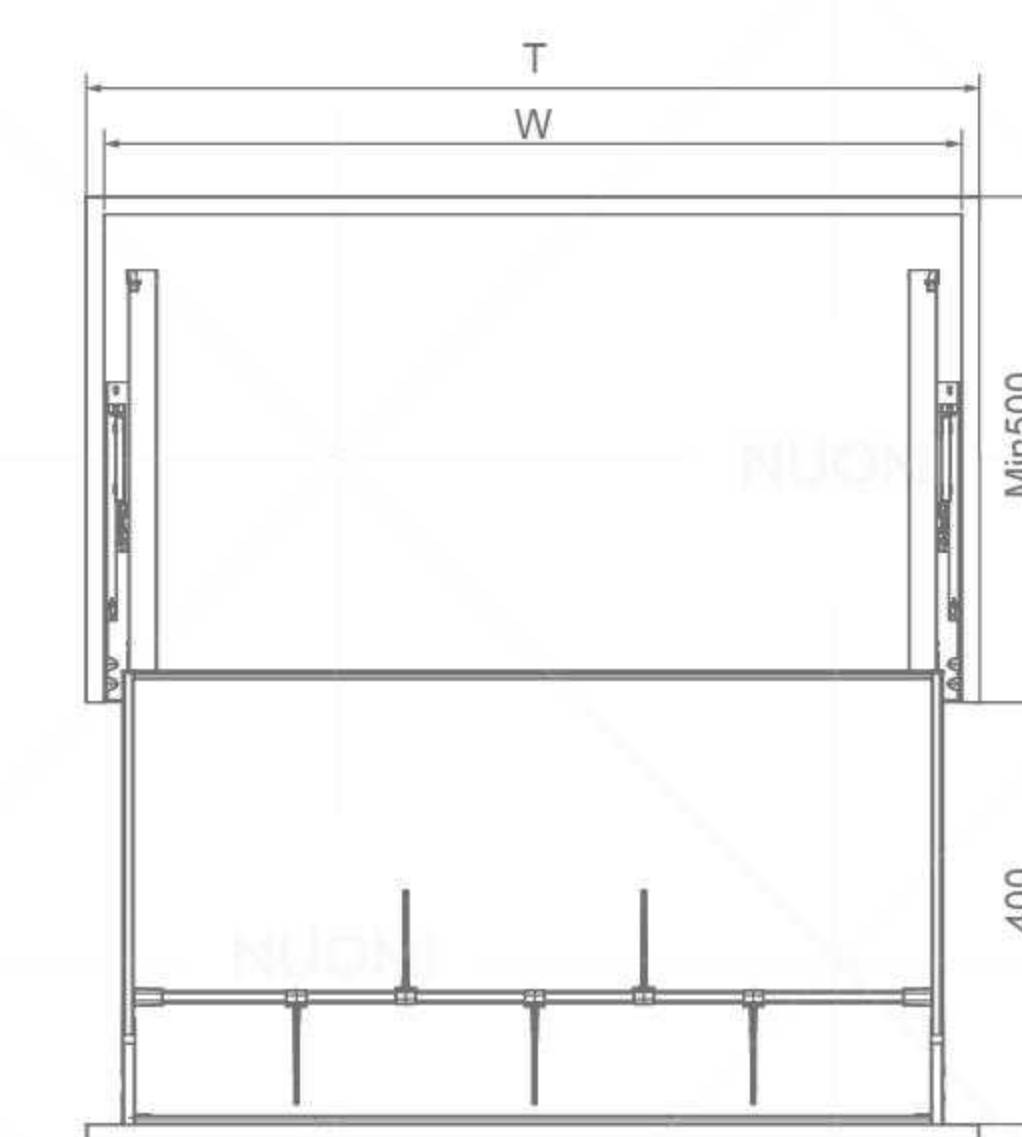
德国品牌赫马尼缓冲同步导轨，运行平稳静谧，可最大承重 30KG。



PULL-OUT BASKET FOR COOKWARE 魅影高帮厨具篮

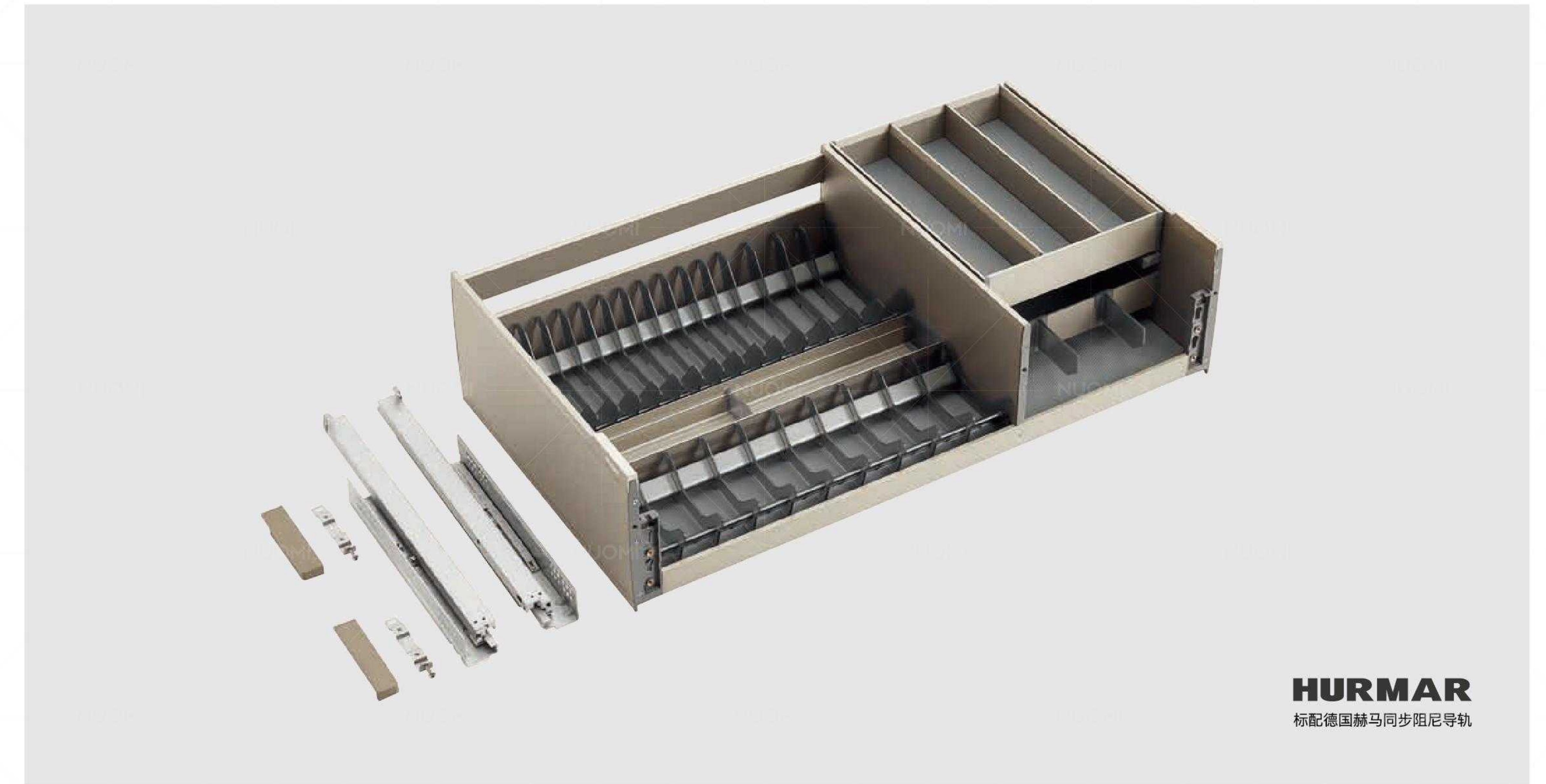


型号 Item No.	适用柜宽 (T) Cabinet width	宽度 x 深度 x 高度 Width x Depth x Height	材质 Material	表面处理 Surface treatment
香槟金 Champagne gold	太郎灰 Highclass grey			
3176006	3186006	600mm	(564-568)x471x226mm	铝合金 /Aluminium 氟碳喷涂 /Fluorocarbon coating
3177006	3187006	700mm	(664-668)x471x226mm	铝合金 /Aluminium 氟碳喷涂 /Fluorocarbon coating
3177506	3187506	750mm	(714-718)x471x226mm	铝合金 /Aluminium 氟碳喷涂 /Fluorocarbon coating
3178006	3188006	800mm	(764-768)x471x226mm	铝合金 /Aluminium 氟碳喷涂 /Fluorocarbon coating
3179006	3189006	900mm	(864-868)x471x226mm	铝合金 /Aluminium 氟碳喷涂 /Fluorocarbon coating



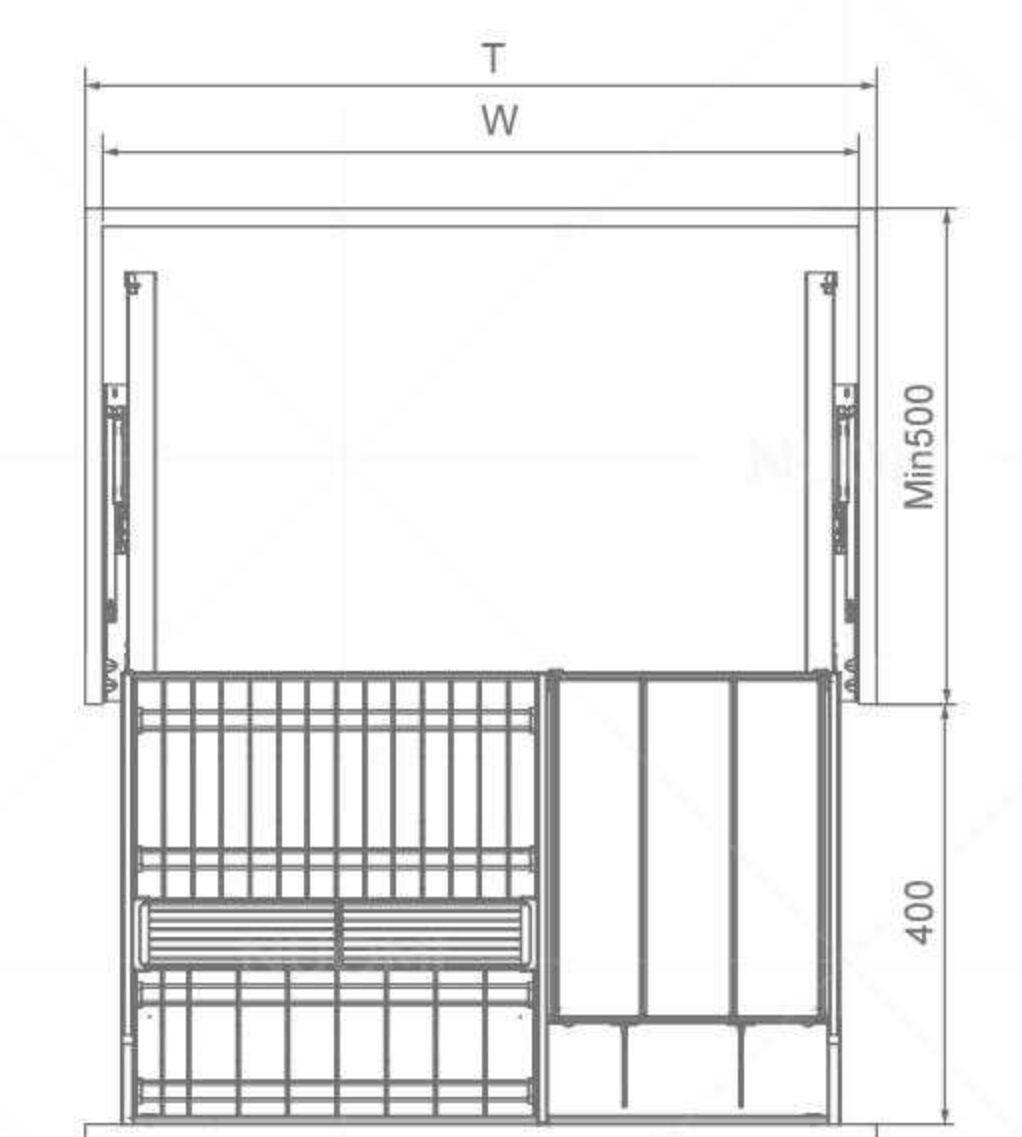


MULTIFUNCTIONAL BASKET WITH SLIDABLE CUTLERY TRAY 魅影双层碗碟篮



**HURMAR**  
标配德国赫马同步阻尼导轨

型号 Item No.	适用柜宽 (T) Cabinet width	宽度 x 深度 x 高度 Width x Depth x Height	材质 Material	表面处理 Surface treatment
香槟金 Champagne gold	太郎灰 Highclass grey			
3176007	3186007	600mm	铝合金 /Aluminium	氟碳喷涂 /Fluorocarbon coating
3177007	3187007	700mm	铝合金 /Aluminium	氟碳喷涂 /Fluorocarbon coating
3177507	3187507	750mm	铝合金 /Aluminium	氟碳喷涂 /Fluorocarbon coating
3178007	3188007	800mm	铝合金 /Aluminium	氟碳喷涂 /Fluorocarbon coating
3179007	3189007	900mm	铝合金 /Aluminium	氟碳喷涂 /Fluorocarbon coating



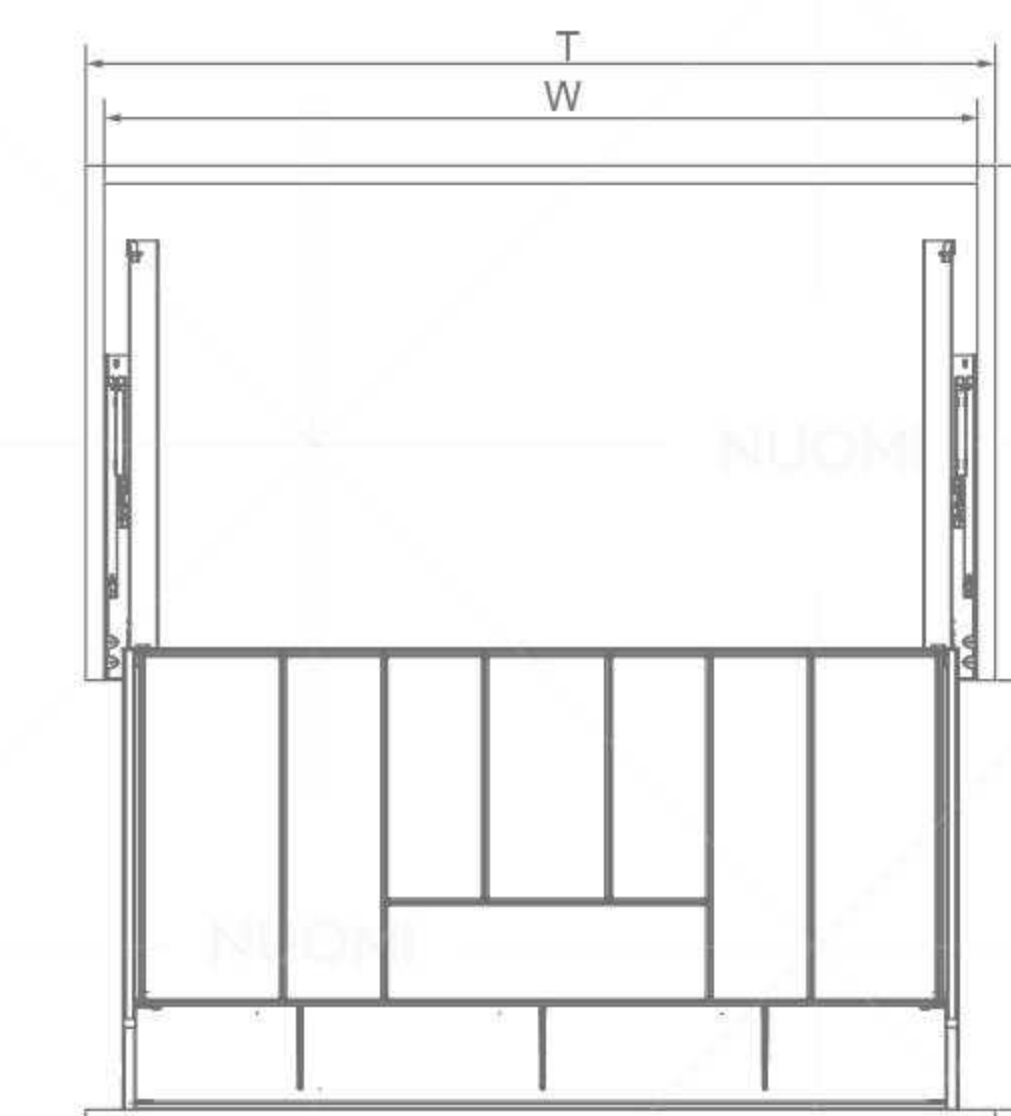


PULL-OUT BASKET WITH SLIDABLE CUTLERY TRAY 魅影双层刀叉盘拉篮



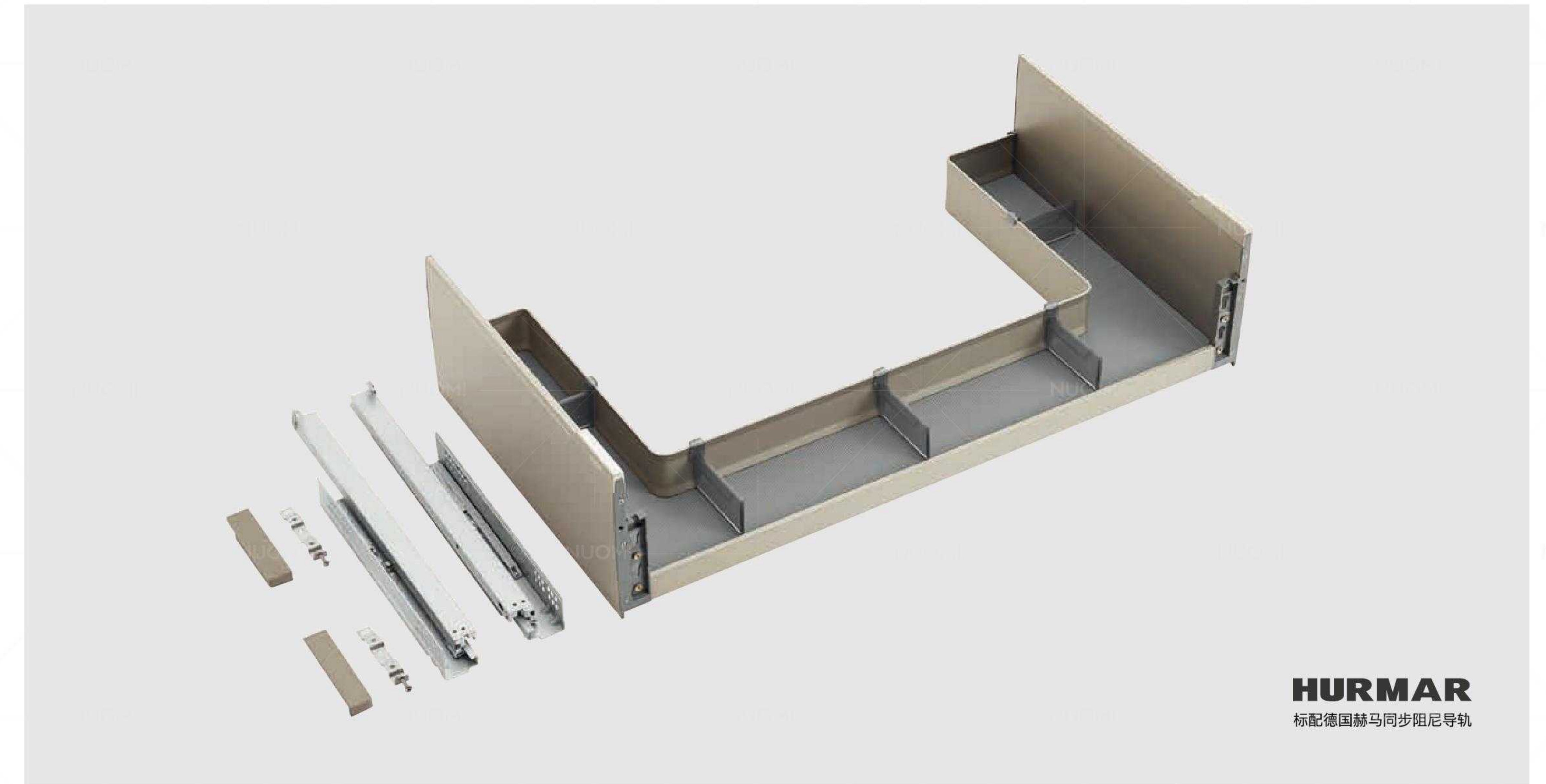
**HURMAR**  
标配德国赫马同步阻尼导轨

型号 Item No.	适用柜宽 (T) Cabinet width	宽度 x 深度 x 高度 Width x Depth x Height	材质 Material	表面处理 Surface treatment
香槟金 Champagne gold	太郎灰 Highclass grey			
3176008	3186008	600mm	铝合金 /Aluminium	氟碳喷涂 /Fluorocarbon coating
3177008	3187008	700mm	铝合金 /Aluminium	氟碳喷涂 /Fluorocarbon coating
3177508	3187508	750mm	铝合金 /Aluminium	氟碳喷涂 /Fluorocarbon coating
3178008	3188008	800mm	铝合金 /Aluminium	氟碳喷涂 /Fluorocarbon coating
3179008	3189008	900mm	铝合金 /Aluminium	氟碳喷涂 /Fluorocarbon coating

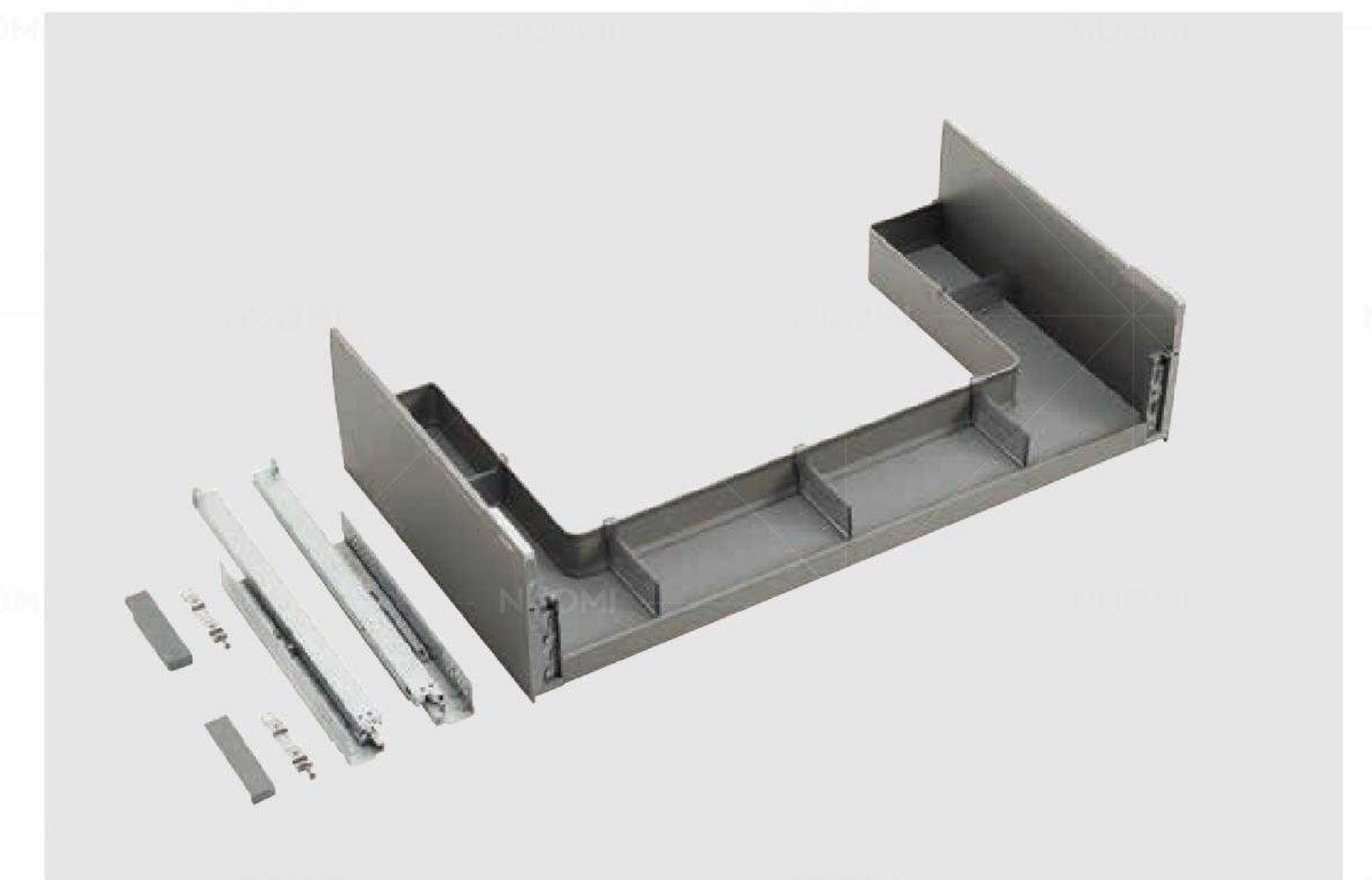
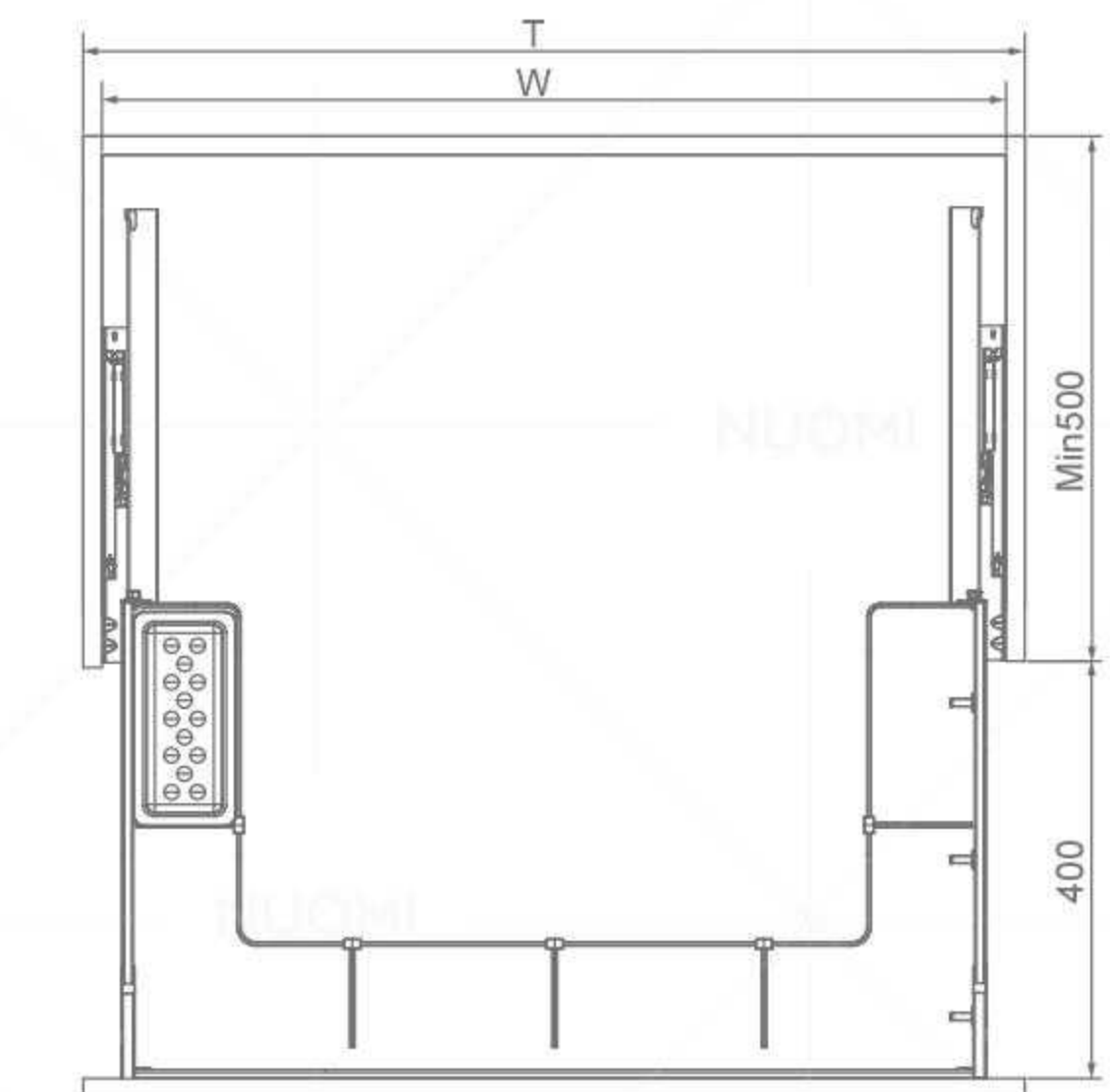




HIGH U-SHAPED BASKET UNDER SINK 魅影高帮 U 型水槽篮



型号 Item No.	适用柜宽 (T) Cabinet width	宽度 x 深度 x 高度 Width x Depth x Height	材质 Material	表面处理 Surface treatment
香槟金 Champagne gold	太郎灰 Highclass grey			
3178009	3188009	800mm	铝合金 /Aluminium	氟碳喷涂 /Fluorocarbon coating
3179009	3189009	900mm	铝合金 /Aluminium	氟碳喷涂 /Fluorocarbon coating

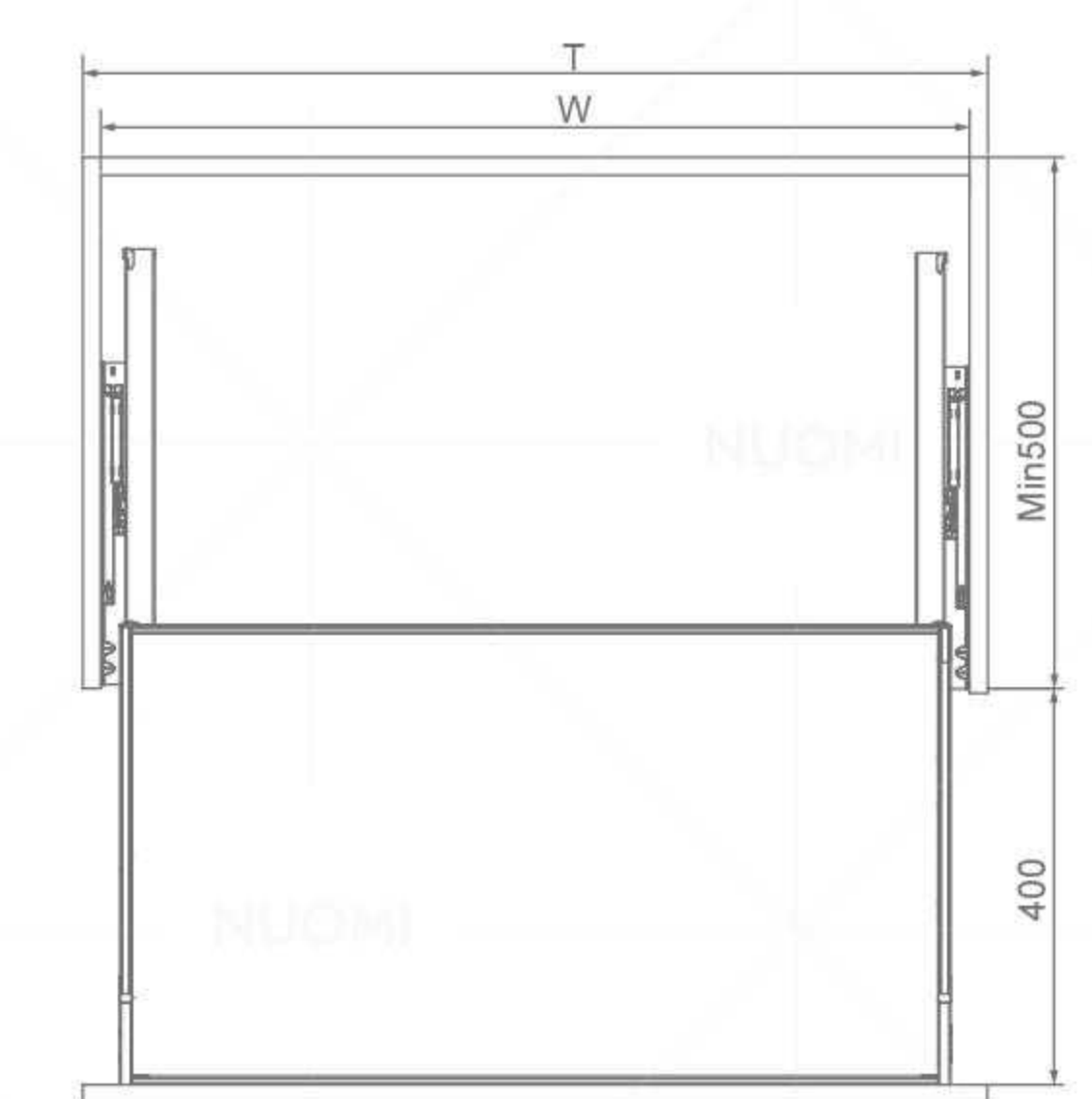




PULL-OUT BASKET 魅影常规炉头平篮



型号 Item No.	适用柜宽 (T) Cabinet width	宽度 x 深度 x 高度 Width x Depth x Height	材质 Material	表面处理 Surface treatment	
香槟金 Champagne gold	太郎灰 Highclass grey				
3176001	3186001	600mm	(564-568)x471x162mm	铝合金 /Aluminium	氟碳喷涂 /Fluorocarbon coating
3177001	3187001	700mm	(664-668)x471x162mm	铝合金 /Aluminium	氟碳喷涂 /Fluorocarbon coating
3177501	3187501	750mm	(714-718)x471x162mm	铝合金 /Aluminium	氟碳喷涂 /Fluorocarbon coating
3178001	3188001	800mm	(764-768)x471x162mm	铝合金 /Aluminium	氟碳喷涂 /Fluorocarbon coating
3179001	3189001	900mm	(864-868)x471x162mm	铝合金 /Aluminium	氟碳喷涂 /Fluorocarbon coating



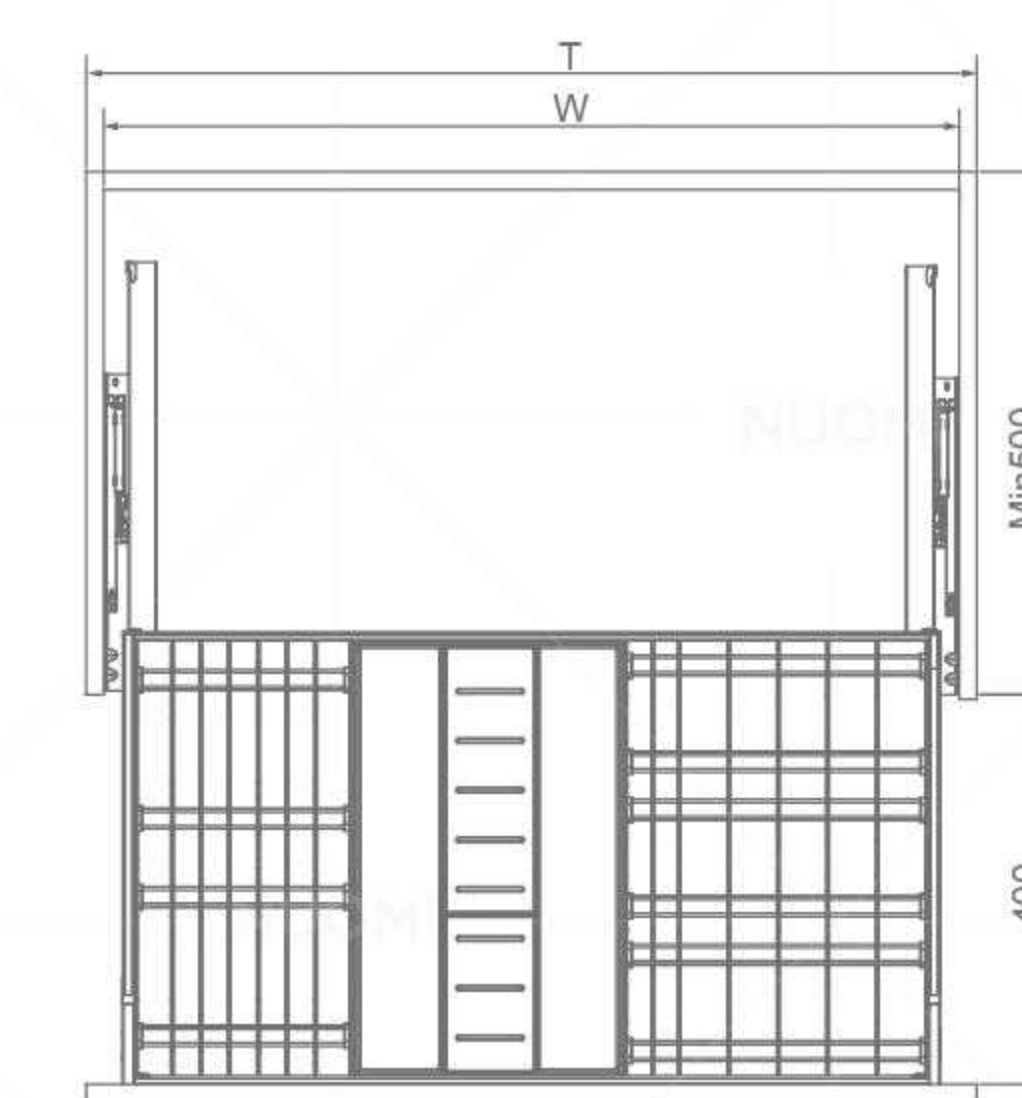




MULTIFUNCTIONAL BASKET 魅影多功能碗碟篮

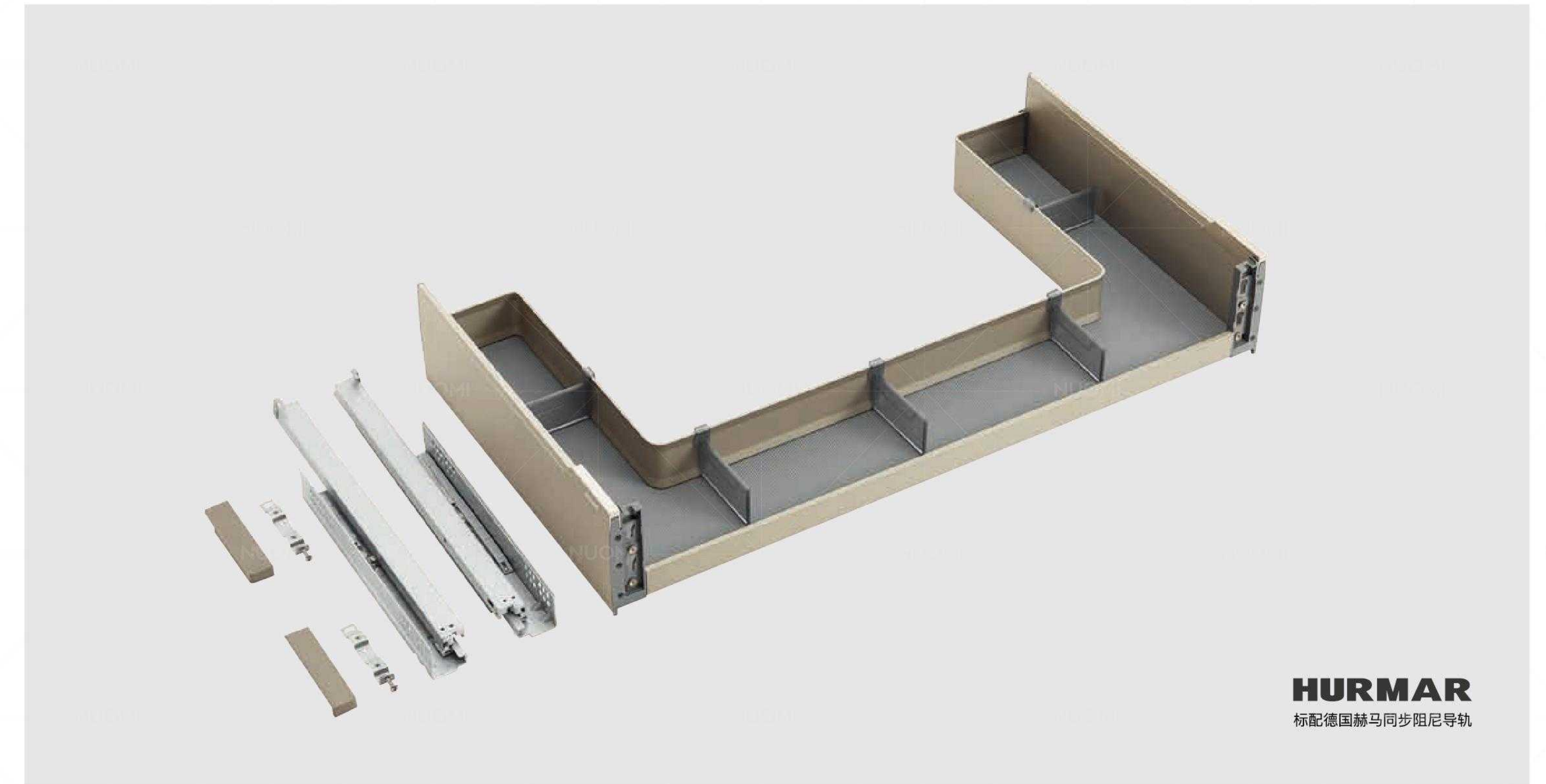


型号 Item No.	适用柜宽 (T) Cabinet width	宽度 x 深度 x 高度 Width x Depth x Height	材质 Material	表面处理 Surface treatment
香槟金 Champagne gold	太郎灰 Highclass grey			
3176002	3186002	600mm	铝合金 /Aluminium	氟碳喷涂 /Fluorocarbon coating
3177002	3187002	700mm	铝合金 /Aluminium	氟碳喷涂 /Fluorocarbon coating
3177502	3187502	750mm	铝合金 /Aluminium	氟碳喷涂 /Fluorocarbon coating
3178002	3188002	800mm	铝合金 /Aluminium	氟碳喷涂 /Fluorocarbon coating
3179002	3189002	900mm	铝合金 /Aluminium	氟碳喷涂 /Fluorocarbon coating

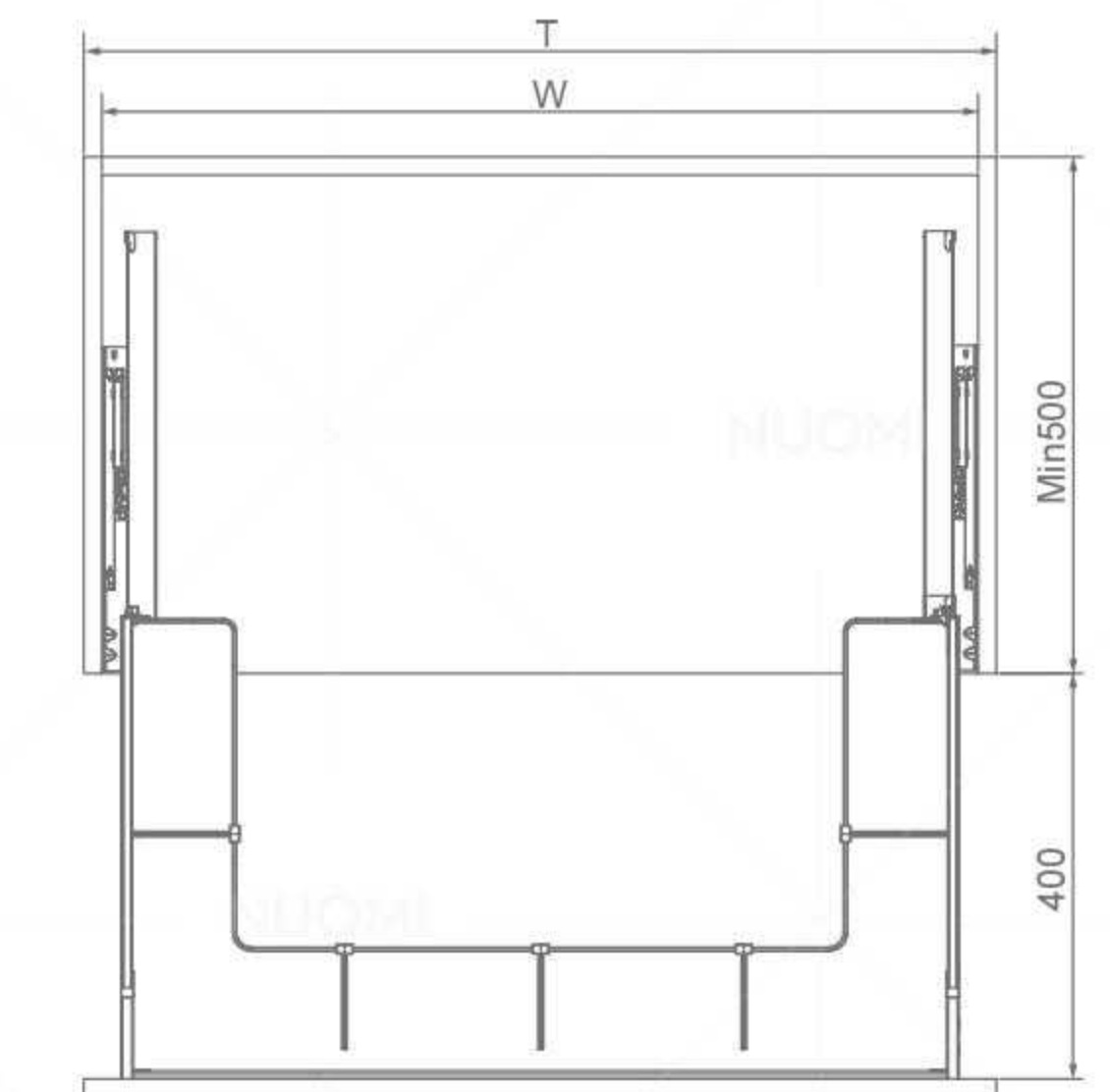




U-SHAPED BASKET UNDER SINK 魅影常规 U 型水槽篮



型号 Item No.	适用柜宽 (T) Cabinet width	宽度 x 深度 x 高度 Width x Depth x Height	材质 Material	表面处理 Surface treatment
香槟金 Champagne gold	太郎灰 Highclass grey			
3178005	3188005	800mm	铝合金 /Aluminium	氟碳喷涂 /Fluorocarbon coating
3179005	3189005	900mm	铝合金 /Aluminium	氟碳喷涂 /Fluorocarbon coating



# PULL-OUT BASKET WITH SLIDABLE CUTLERY TRAY

地柜系统

Simplicity, comfortable home, cutting-edge technology,  
exquisite craft, art and life perfectly fit.

开阔视野，畅通无阻的三面取物，极简主义，舒适家居，尖端技术，精湛工艺，将艺术与生活完美切合。





## Function & Technology 功能与技术

### Function 功能

Pull out basket for base cabinet, proper space partition design, satisfy the needs of storing different sizes of cruets, condiments, oil bottles and other daily kitchen items, making the kitchen storage neat and orderly.

橱柜基础收纳拉篮，科学合理收纳分区设置，满足各大小尺寸的高矮调味瓶罐、包装调味品、大小油瓶油桶等日常厨房用品存储，让厨房收纳井井有条，赏心悦目。

### Quality 品质

Sides of basket is made of superior aluminium alloy, advanced fluorocarbon coating surface treatment technology, strong, rust resistance, abrasive resistance. The guide rail passed the European standard SGS 80000 cycles movement test.

整个篮体选用优质航空级太空铝合金，表面采用精湛氟碳工艺，保证防腐防锈，耐磨防刮，久用如新，质感卓越；产品导轨通过欧标 SGS 80000 次运动测试。

### Design 设计

Two color options, Champagne Gold and Highclass Grey. Slim sides design, interpreting minimalism and light luxury style, enhance the taste of kitchen storage. The bottom is covered by non-slip mat, prevent the items from collision, and convenient to clean at the same time. Unique structure of pullout basket, with sliding inner cutlery tray, improve space utilization rate. Moveable spice rack, convenient and flexible. Quick installation structure for cabinet door, easy and convenient to install.

香槟金和太郎灰两种色彩选择，纤薄板式围边，完美诠释家居极简轻奢风格，使厨房收纳空间更加优雅有品位；底板防滑垫应用，防止运动过程中物品的碰撞以及噪声，同时方便清洁；通过抽中抽多层收纳结构提升立体空间利用率，同时可移动式调味瓶层架，使用时可取出放置在台面，方便烹饪操作；拉篮采用快装门板设计，安装简易、方便。

### Storage 储物

It is recommended to store frequently-used cruets, condiments, oil bottles and so on.

储存各类较常用的高矮调味瓶罐、包装调味品、大小油瓶油桶等。

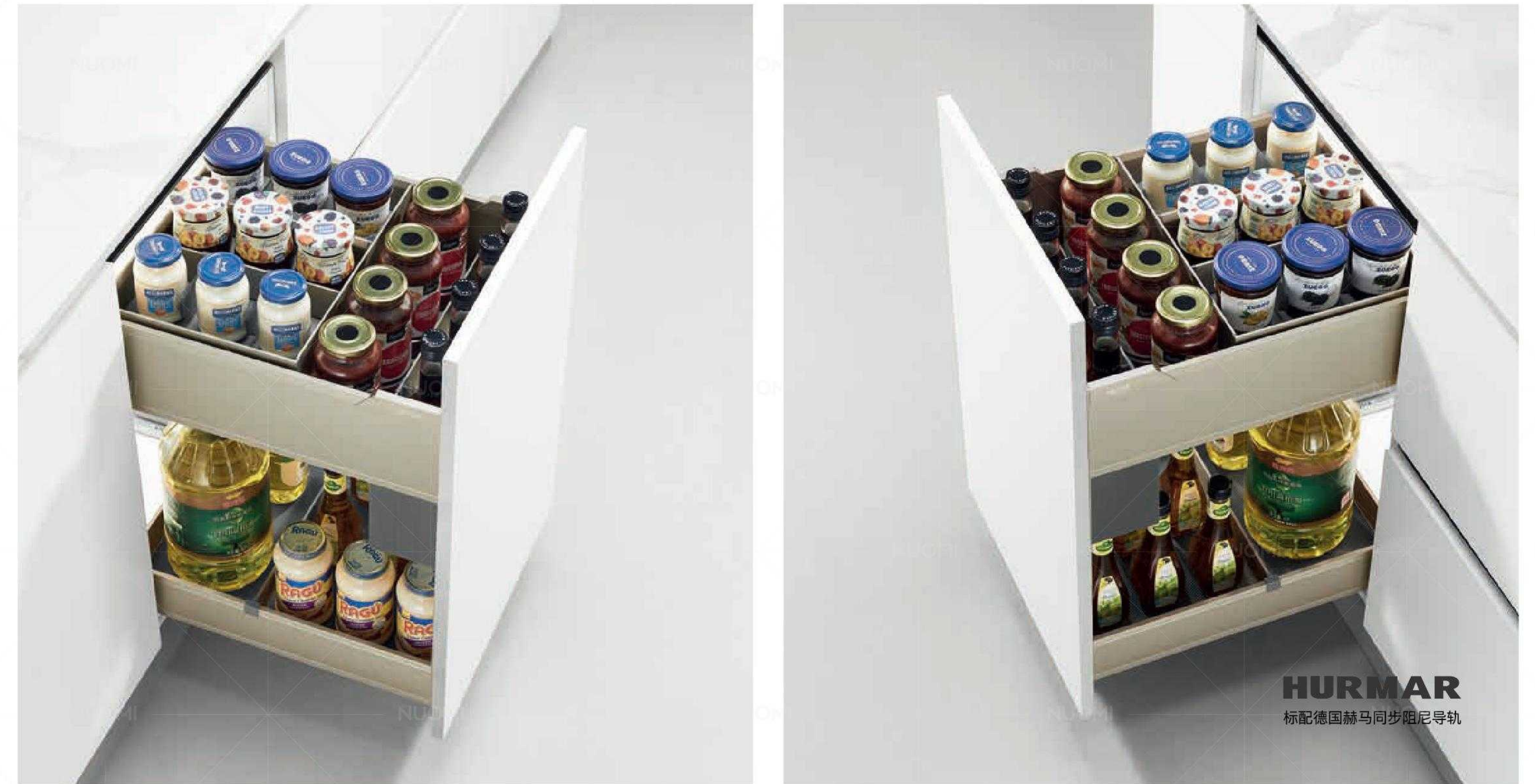
### Loading Capacity 承重

Germany Brand HURMAR soft-close synchronous slide, smooth movement, Max loading: 30KG

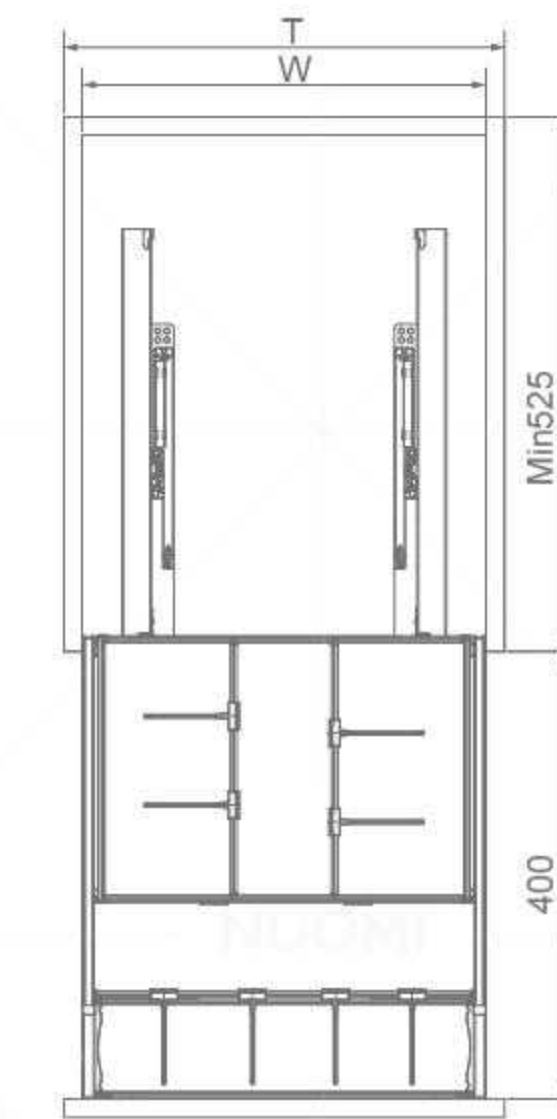
德国品牌赫马阻尼缓冲同步导轨，运行平稳静谧，可最大承重 30KG。



PULL-OUT SEASONING BASKET WITH SLIDABLE CUTLERY TRAY 魅影抽中抽调味篮

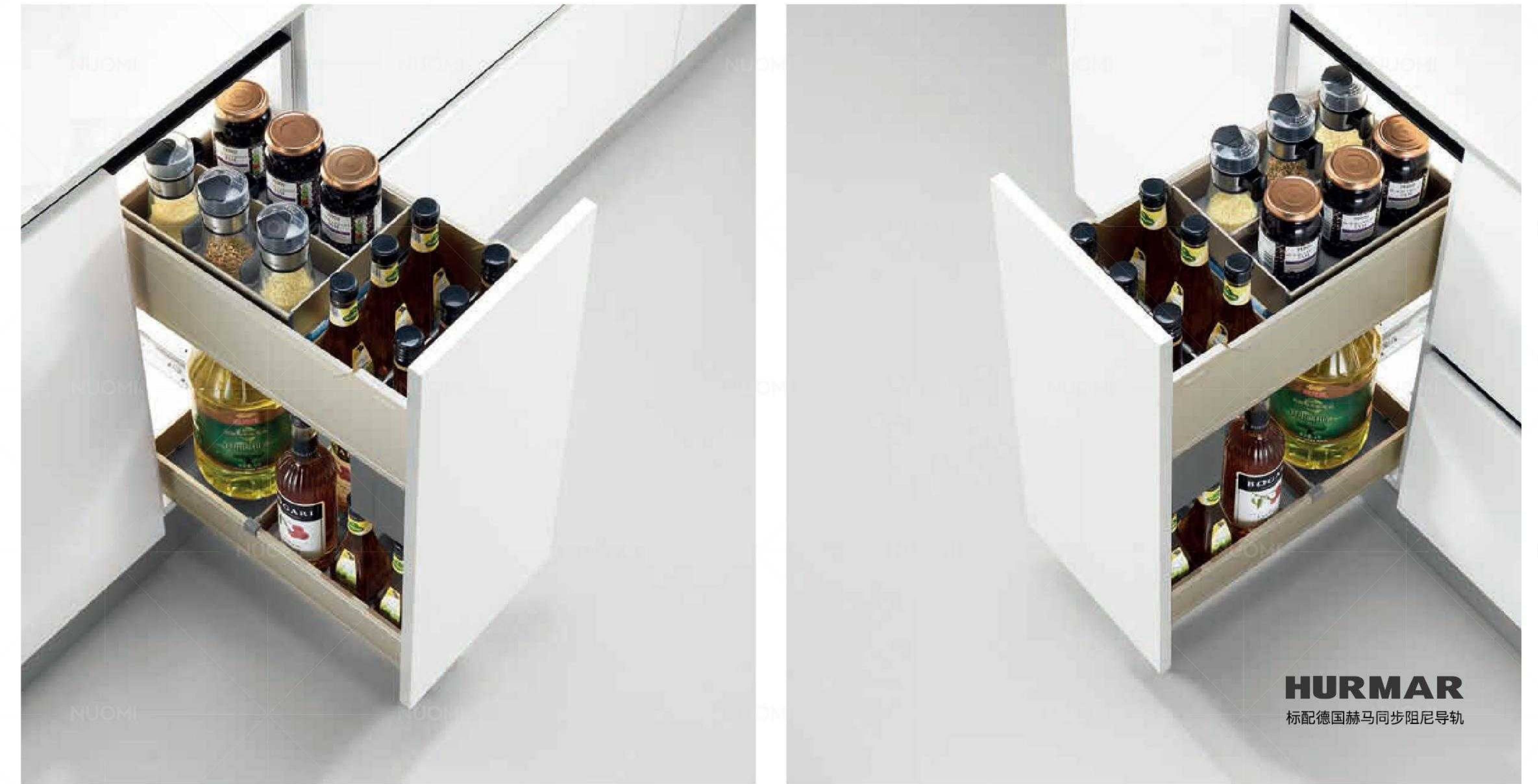


型号 Item No.	适用柜宽 (T) Cabinet width	宽度 x 深度 x 高度 Width x Depth x Height	材质 Material	表面处理 Surface treatment
香槟金 Champagne gold	太郎灰 Highclass grey			
3174501	3184501	450mm	铝合金 /Aluminium	氟碳喷涂 /Fluorocarbon coating
3174001	3184001	400mm	铝合金 /Aluminium	氟碳喷涂 /Fluorocarbon coating

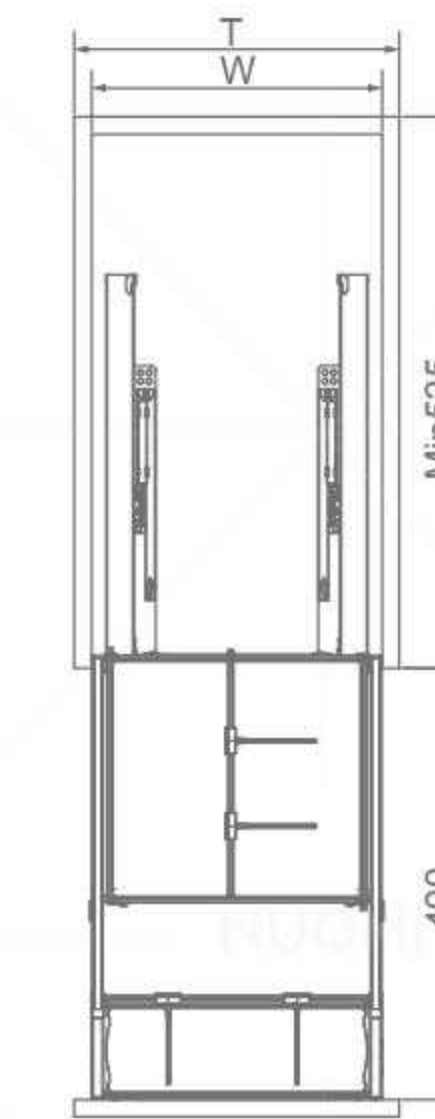




PULL-OUT SEASONING BASKET WITH SLIDABLE CUTLERY TRAY 魅影抽中抽调味篮



型号 Item No.	适用柜宽 (T) Cabinet width	宽度 x 深度 x 高度 Width x Depth x Height	材质 Material	表面处理 Surface treatment
香槟金 Champagne gold	太郎灰 Highclass grey			
3173501	3183501	350mm	铝合金 / Aluminium	氟碳喷涂 / Fluorocarbon coating
3173001	3183001	300mm	铝合金 / Aluminium	氟碳喷涂 / Fluorocarbon coating



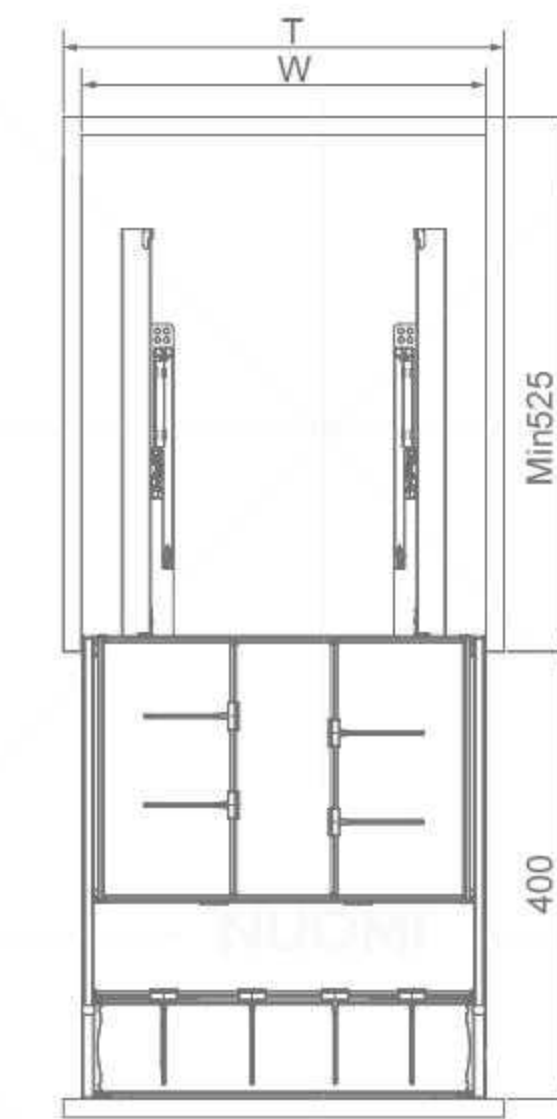


PULL-OUT BASKET WITH SLIDABLE CUTLERY TRAY 魅影常规调味篮



**HURMAR**  
标配德国赫马同步阻尼导轨

型号 Item No.	适用柜宽 (T) Cabinet width	宽度 x 深度 x 高度 Width x Depth x Height	材质 Material	表面处理 Surface treatment
香槟金 Champagne gold	太郎灰 Highclass grey			
3174502	3184502	450mm	铝合金 /Aluminium	氟碳喷涂 /Fluorocarbon coating
3174002	3184002	400mm	铝合金 /Aluminium	氟碳喷涂 /Fluorocarbon coating
3173502	3183502	350mm	铝合金 /Aluminium	氟碳喷涂 /Fluorocarbon coating

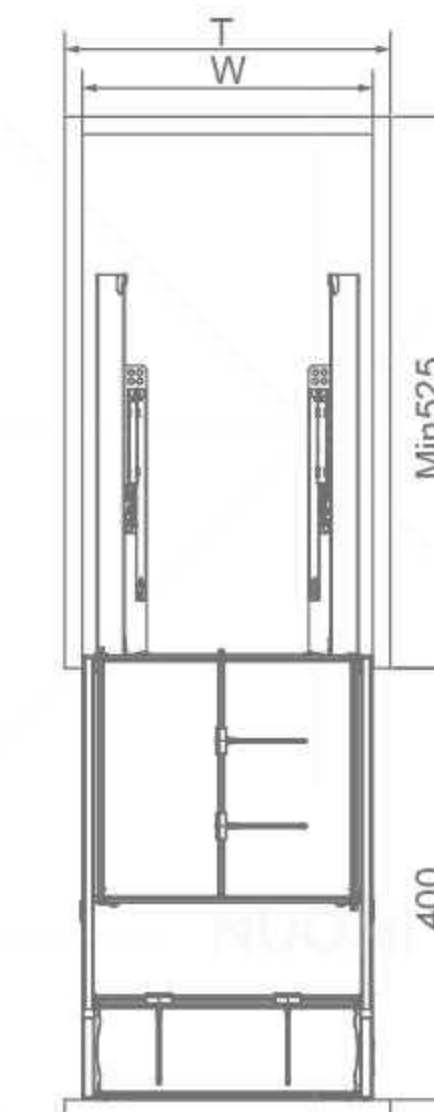




PULL-OUT BASKET WITH SLIDABLE CUTLERY TRAY 魅影常规调味篮



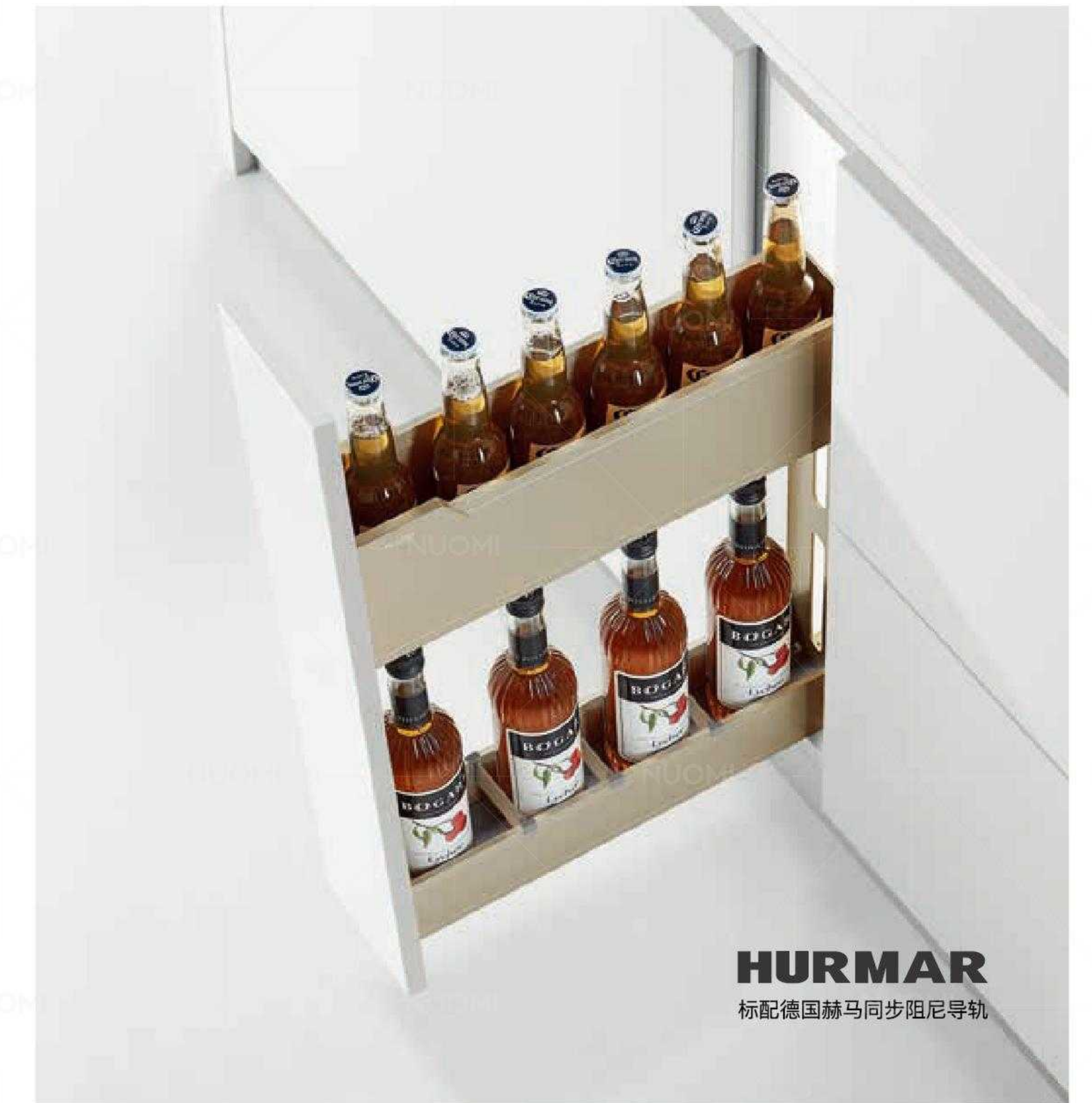
型号 Item No.	适用柜宽 (T) Cabinet width	宽度 x 深度 x 高度 Width x Depth x Height	材质 Material	表面处理 Surface treatment
香槟金 Champagne gold	太郎灰 Highclass grey			
3173002	3183002	300mm	铝合金 / Aluminium	氟碳喷涂 / Fluorocarbon coating



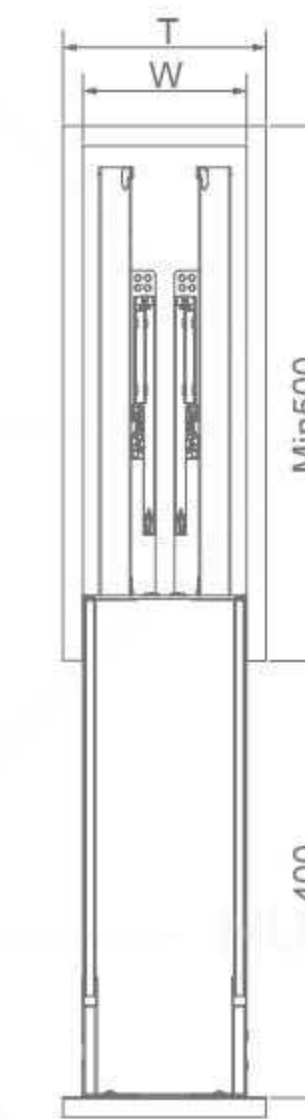




SIDE TWO-LAYERS PULL-OUT BASKET 魅影窄边篮



型号 Item No.	适用柜宽 (T) Cabinet width	宽度 x 深度 x 高度 Width x Depth x Height	材质 Material	表面处理 Surface treatment
香槟金 Champagne gold	太郎灰 Highclass grey			
3172001	3182001	200mm	铝合金 /Aluminium	氟碳喷涂 /Fluorocarbon coating
3171501	3181501	150mm	铝合金 /Aluminium	氟碳喷涂 /Fluorocarbon coating

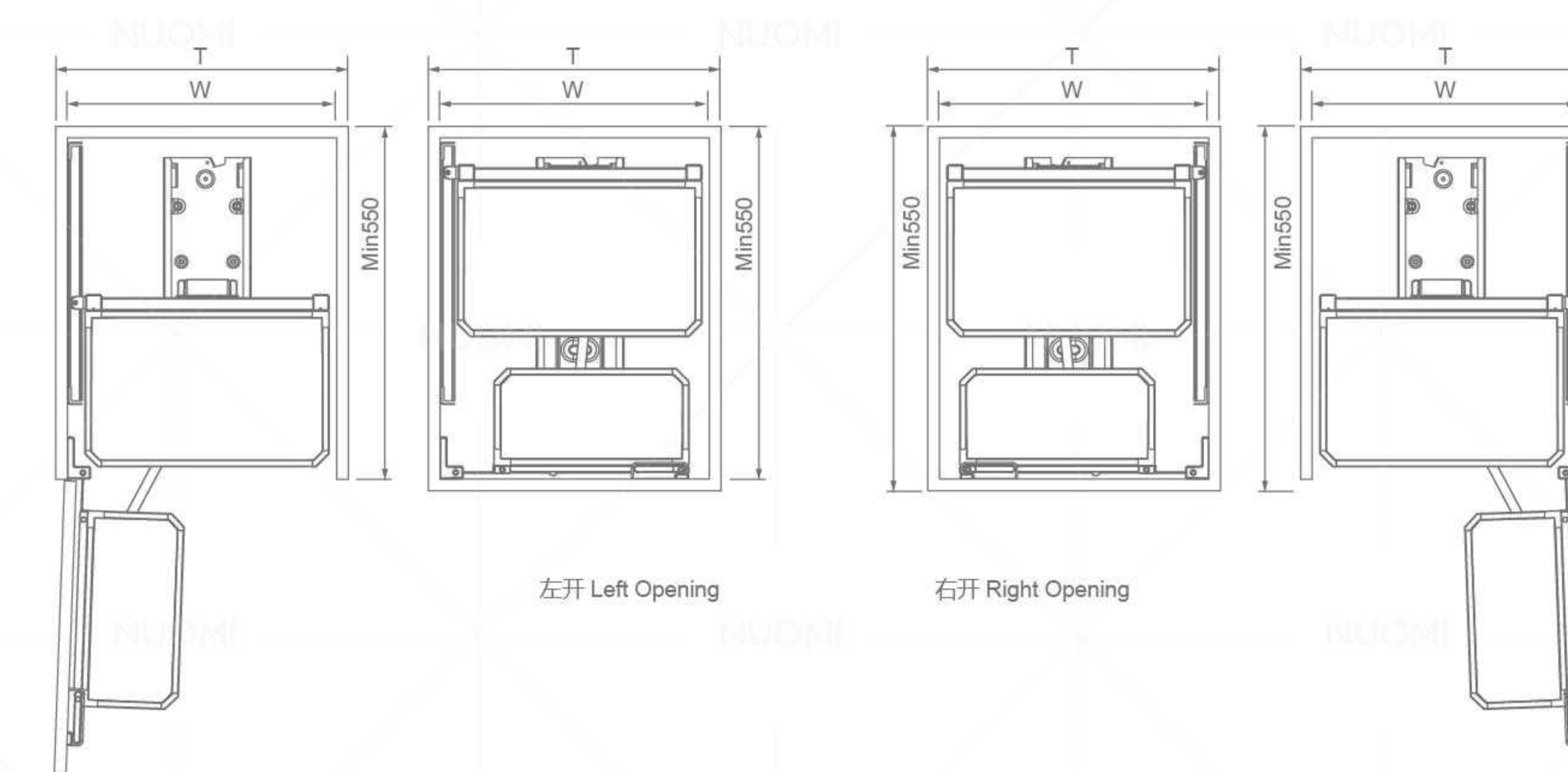




BASE CABINET MINI PANTRY ROLL-OUT 魅影地柜联动拉篮



支架型号 Frame item No.	篮体型号 Basket item No.	适用柜宽 (T) Cabinet width	宽度 x 深度 x 高度 Width x Depth x Height	表面处理 Surface treatment		
香槟金 Champagne gold	太郎灰 Highclass grey	香槟金 Champagne gold	太郎灰 Highclass grey			
2020007C	2020007B	2020177	2020187	450mm	405x500x(600 以上 above)mm	氟碳喷涂/Fluorocarbon coating
2020008C	2020008B	2020178	2020188	600mm	555x500x(600 以上 above)mm	氟碳喷涂/Fluorocarbon coating

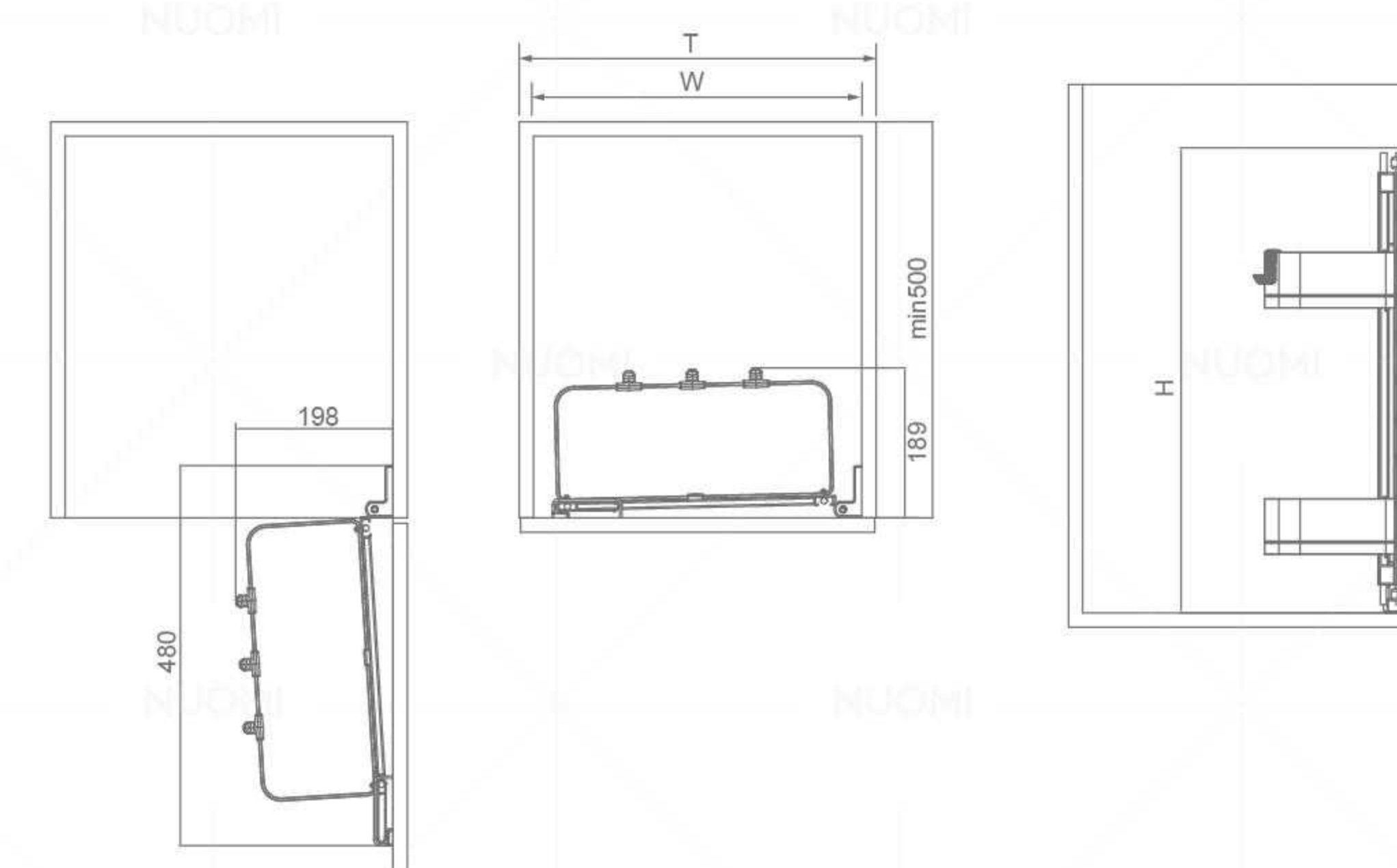




SIDE BASKET ATTACHED DOOR UNDER SINK 魅影柜门联动拉篮



型号 Item No.	适用柜宽 (T) Cabinet width	宽度 x 深度 x 高度 Width x Depth x Height	材质 Material	表面处理 Surface treatment
香槟金 Champagne gold	太郎灰 Highclass grey			
3172006	3182006	450mm	铝合金 / Aluminium	氟碳喷涂 / Fluorocarbon coating
3172007	3182007	600mm	铝合金 / Aluminium	氟碳喷涂 / Fluorocarbon coating



# WALL CUPBOARD SYSTEM

## 吊柜系统

Liftable design, high space usage becomes approachable.

可升降设计，让吊柜空间利用变得平易近人。





**Function 功能**

Make full use of higher space of wall cupboard, more convenient to fetch high up items. Free lift, making the utilization of wall cupboard space more approachable. Humanized handle design, comfortable and convenient.

充分利用吊柜上方空间，高处存取物品更加便利；自由升降，让吊柜空间利用变得平易近人；人体工学原理掌形把柄设计，给你带来舒适手感。

**Quality 品质**

Sides of basket is made of superior aluminium alloy, advanced fluorocarbon coating surface treatment technology, strong rust resistance, abrasive resistance. The lifter passed the European standard SGS 30000 cycles movement test.

整个篮体选用优质航空级太空铝合金，表面采用精湛氟碳工艺，保证防腐防锈，耐磨防刮，久用如新，质感卓越；升降装置在正常状态下，通过欧标SGS30000次升降测试。

**Design 设计**

Two color options, Champagne Gold and Highclass Grey. Slim sides design, interpreting minimalism and light luxury style, enhance the taste of kitchen storage. The bottom is covered by non-slip mat, prevent the items from collision, and convenient to clean at the same time.

香槟金和太郎灰两种色彩选择，纤薄板式围边，完美诠释家居极简轻奢风格，使厨房收纳空间更加优雅有品位；底板防滑垫应用，防止运动过程中物品的碰撞以及噪声，同时方便清洁；

**Storage 储物**

It is recommended to store condiments, not commonly used tableware, non-frozen food or dried fruit and so on.

建议存放调味品、不常用的餐具、非冷冻的食物或干果等。

**Loading Capacity 承重**

Max loading :10KG

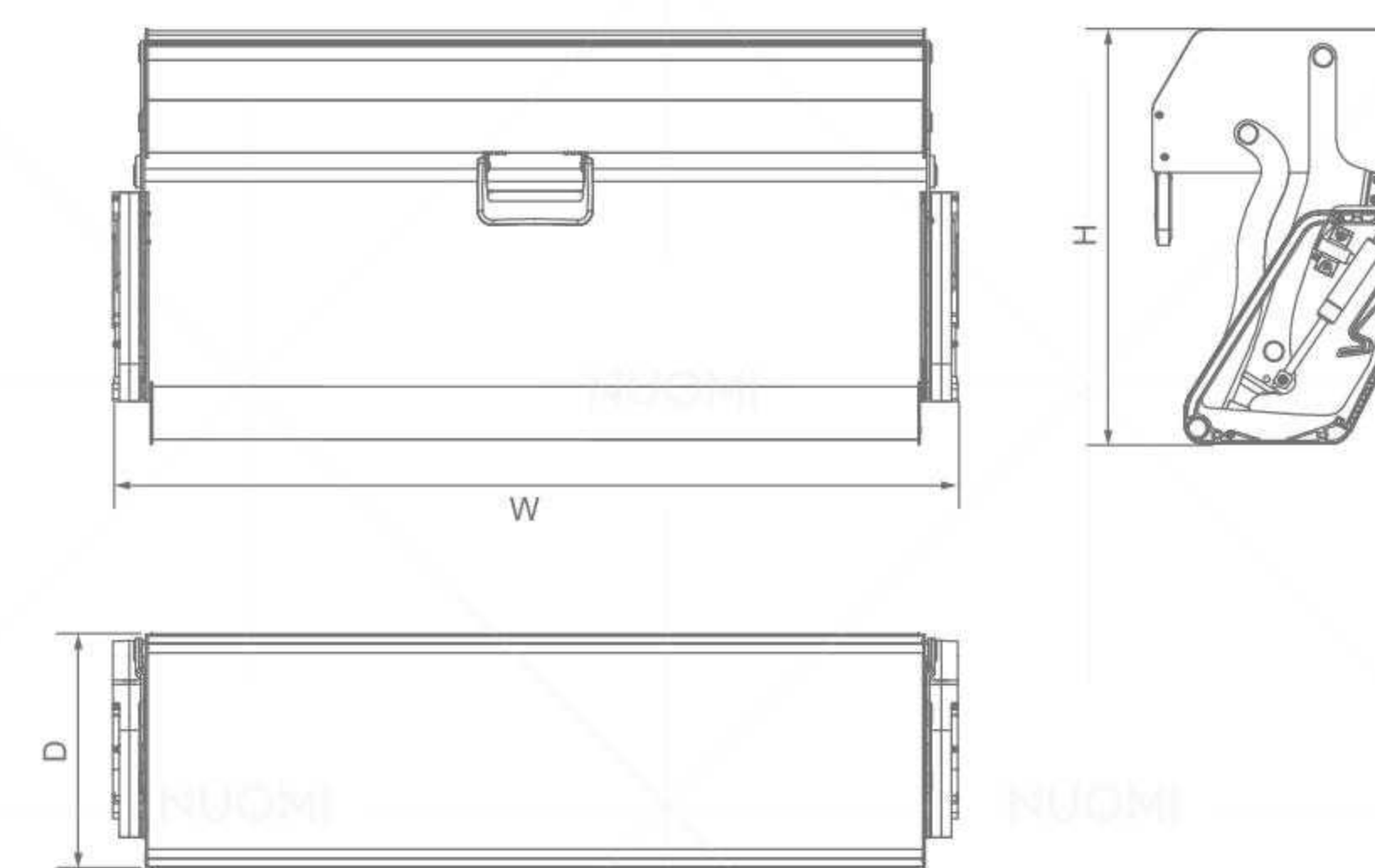
可最大承重 10 公斤。

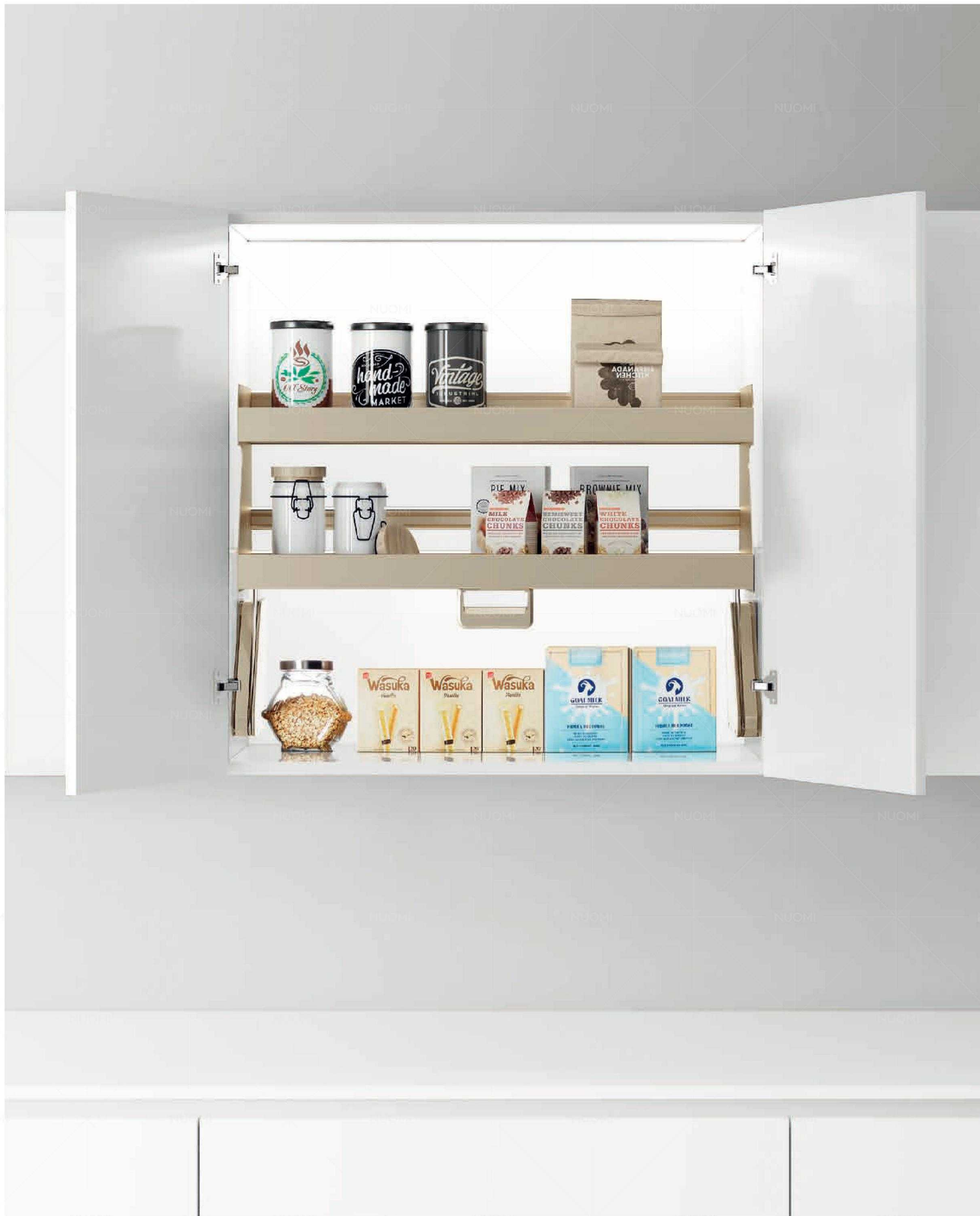


SINGLE-LAYER LIFTER 魅影单层空升降机

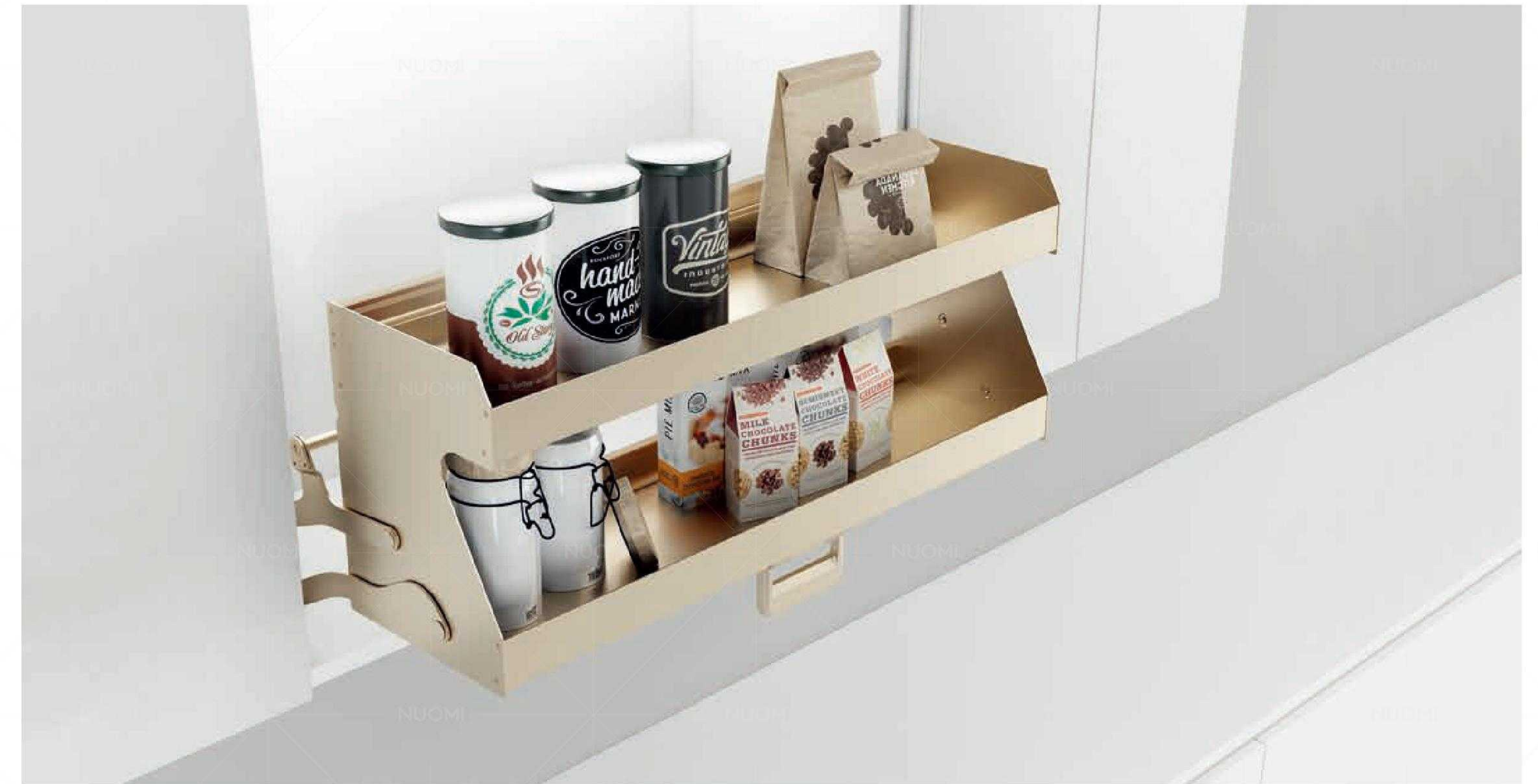


型号 Item No.	适用柜宽 (T) Cabinet width	宽度 x 深度 x 高度 Width x Depth x Height	材质 Material	表面处理 Surface treatment
香槟金 Champagne gold	太郎灰 Highclass grey			
4176001	4186001	600mm	铝合金 /Aluminium	氟碳喷涂 /Fluorocarbon coating
4177001	4187001	700mm	铝合金 /Aluminium	氟碳喷涂 /Fluorocarbon coating
4178001	4188001	800mm	铝合金 /Aluminium	氟碳喷涂 /Fluorocarbon coating
4179001	4189001	900mm	铝合金 /Aluminium	氟碳喷涂 /Fluorocarbon coating

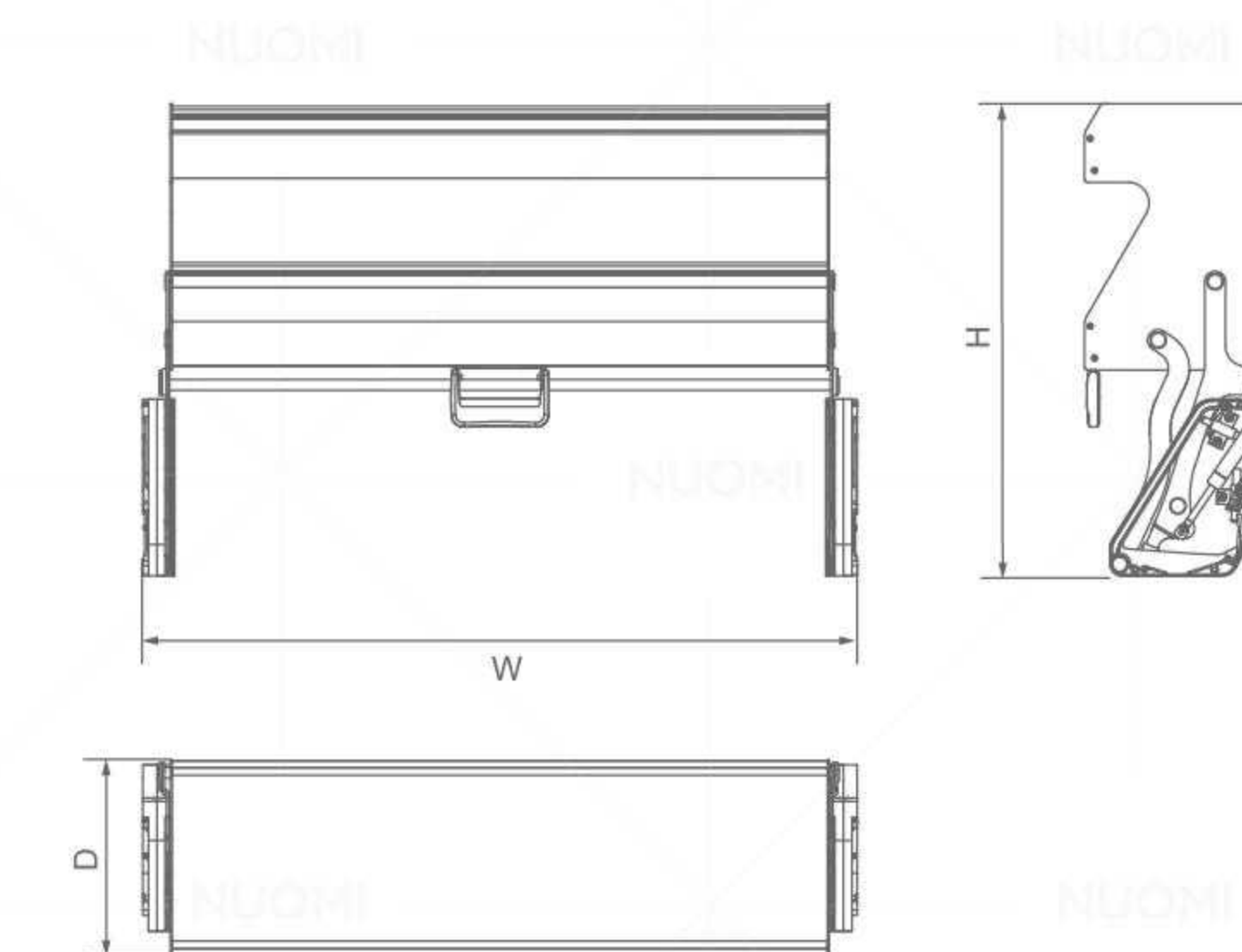




DOUBLE LAYER LIFTER 魅影双层空降机

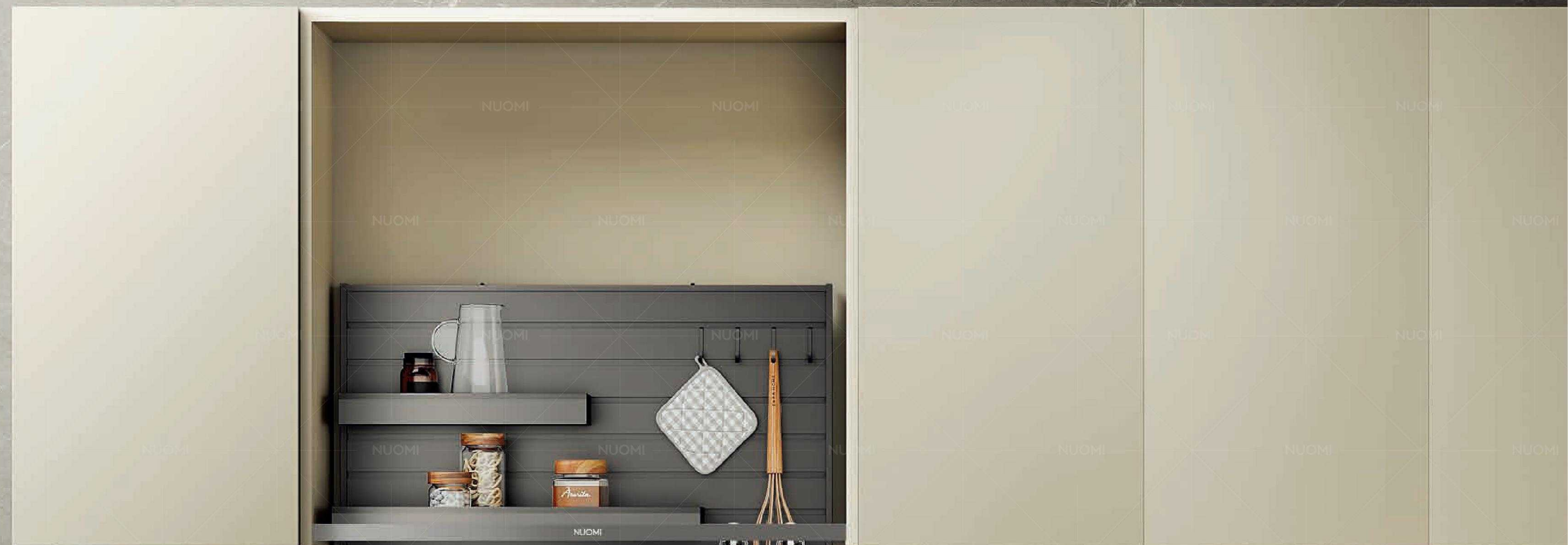


型号 Item No.	适用柜宽 (T) Cabinet width	宽度 x 深度 x 高度 Width x Depth x Height	材质 Material	表面处理 Surface treatment
香槟金 Champagne gold	太郎灰 Highclass grey			
4176003	4186003	600mm	铝合金 /Aluminium	氟碳喷涂 /Fluorocarbon coating
4178003	4188003	800mm	铝合金 /Aluminium	氟碳喷涂 /Fluorocarbon coating
4179003	4189003	900mm	铝合金 /Aluminium	氟碳喷涂 /Fluorocarbon coating



# SMART STORAGE SYSTEM

智能系统







## Corner units Function and technology 功能与技术

### 航空级铝合金

Aero-grade aluminium alloy, ultra-narrow frame design, light, thin, durable, not easy to rust, and space utilization rate increased.

航空级全铝合金机身，超窄边框设计，轻薄耐用不易生锈，空间利用率提高。

### 氟碳纳米喷涂工艺

Environmental protection, health and comfort, while increasing the corrosion resistance, frost resistance and fade resistance of aluminum.

环保健康舒适感，同时增加铝材抗腐蚀抗霜、防褪色的耐候性能。

### 隐藏式滑动机构

The sliding process is as soft as the beginning, with full effect silence, and the opening and closing of the limit load is still smooth; Through SGS product test opening and closing, the European standard test life reached 20000 times.

滑动过程轻柔如初，全效静音，极限载重依然开合顺畅；通过 SGS 产品测试开合，欧标测试寿命达到 2 万次。

### 创新型直流永磁电机

DC magnetic motor, low noise operation, stable lifting, power saving, energy saving, stable operation, long life, low noise; Power short circuit overload protection.

直流磁性电机，低噪运行，平稳升降，省电节能运行平稳，寿命长，噪音低；电源短路过载保护。

### E 键智能启动

Unlimited physical touch keys, free from environmental interference, realize intelligent start of E key, rise/fall/pause, and make full use of kitchen space. The lifting height is controlled according to the heart. Touch the lifting to stop when encountering obstacles; There is no need to climb and take things at will, and the elderly and children can use it freely.

无限物理触摸键，免受环境干扰，实现 E 键智能启动，上升/下降/暂停，烹饪过程运作自如，充分利用厨房空间。升降高度随心控制，触摸升降，遇障即停；无需攀爬随心取物，老人和小孩一样使用自如。

### 智能防夹系统

In the process of operation, the anti-pinch device shall be backed up to ensure the safety of family members.

运行过程中遇阻回退防夹，保障家人使用安全。

### 自定义模块系统

Self-defined partition scientific storage, and randomly place storage tanks, cans, condiments, knives and chopsticks, and kitchen utensils according to personal habits; Removable storage module makes cleaning and taking more convenient.

自定义分区科学收纳，根据个人习惯任意摆放储物罐、罐头、调味品、刀筷、厨具；可拆卸式收纳模块，清洗拿取更方便。

### 承重

Max loading :21KG

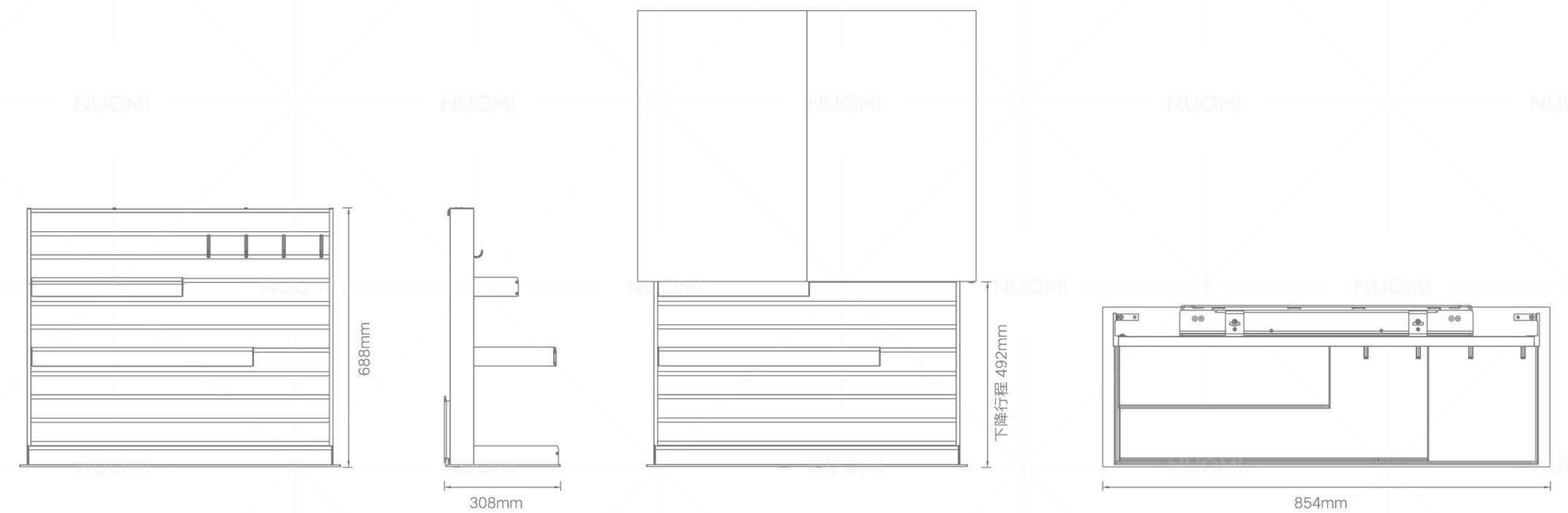
平稳升降最大承重 21kg。



FANTASY CABIN (PEARL WHITE / STARRY SKY BLACK) 电动升降吊柜



型号 Item No.	适用柜宽 (T) Cabinet width	宽度 x 深度 x 高度 Width x Depth x Height	材质 Material	表面 Surface	工艺 Process
S2018001	800	754x308x688mm	铝合金 / Aluminium	太郎灰 / Highclass grey	氟碳喷涂 / Fluorocarbon coating
S2019001	900	854x308x688mm	铝合金 / Aluminium	太郎灰 / Highclass grey	氟碳喷涂 / Fluorocarbon coating







## Corner units Function and technology 功能与技术

### 航空级铝合金

The hard aluminum alloy outer frame body is wear-resistant, corrosion-resistant and cooking fume resistant, and uses material collision to create a sense of space layering, which is also simple and light.

硬铝铝合金外框主体，耐磨耐蚀耐油烟，运用材质碰撞打造空间层次感，亦简亦轻。

### 氟碳纳米喷涂工艺

Environmental protection, health and comfort, while increasing the corrosion resistance, frost resistance and fade resistance of aluminum.

环保健康舒适感，同时增加铝材抗腐抗霜、防褪色的耐候性能。

### 隐藏式滑动机构

The sliding process is as soft as the beginning, with full effect silence, and the opening and closing of the limit load is still smooth; Through SGS product test opening and closing, the European standard test life reached 20000 times.

滑动过程轻柔如初，全效静音，极限载重依然开合顺畅；通过 SGS 产品测试开合，欧标测试寿命达到 2 万次。

### 创新型直流永磁电机

DC magnetic motor, low noise operation, stable lifting, power saving, energy saving, stable operation, long life, low noise; Power short circuit overload protection.

直流磁性电机，底噪运行，垂直平稳升降，省电能运行平稳，寿命长，噪音低。

### E 键智能启动

Unlimited physical touch keys, free from environmental interference, realize the intelligent start of E key, rise/fall/pause, and make full use of the kitchen corner space, which is applicable to a variety of cabinets.

无限物理触摸键，免受环境干扰，实现 E 键智能启动，上升/下降/暂停，烹饪过程运作自如，充分利用厨房转角空间，适用于多种橱柜。  
升降高度随心控制，触摸升降，遇障即停。

### 智能防夹系统

High reliability design, anti-pinch in case of encounter obstacles during operation.

高可靠性设计，运行过程中遇阻回退防夹。

### 隐形收纳设计

Three-layer storage space, which can store seasonings commonly used in kitchen cooking High bottles and low cans; Stealth lifting clean kitchen table, not waste corner cabinet space.

三层置物空间，灵活存储厨房烹饪时常用的调味用品，高瓶矮罐等；  
隐形升降整洁厨房台面，不浪费转角柜体空间。

### 承重

Max loading :26KG

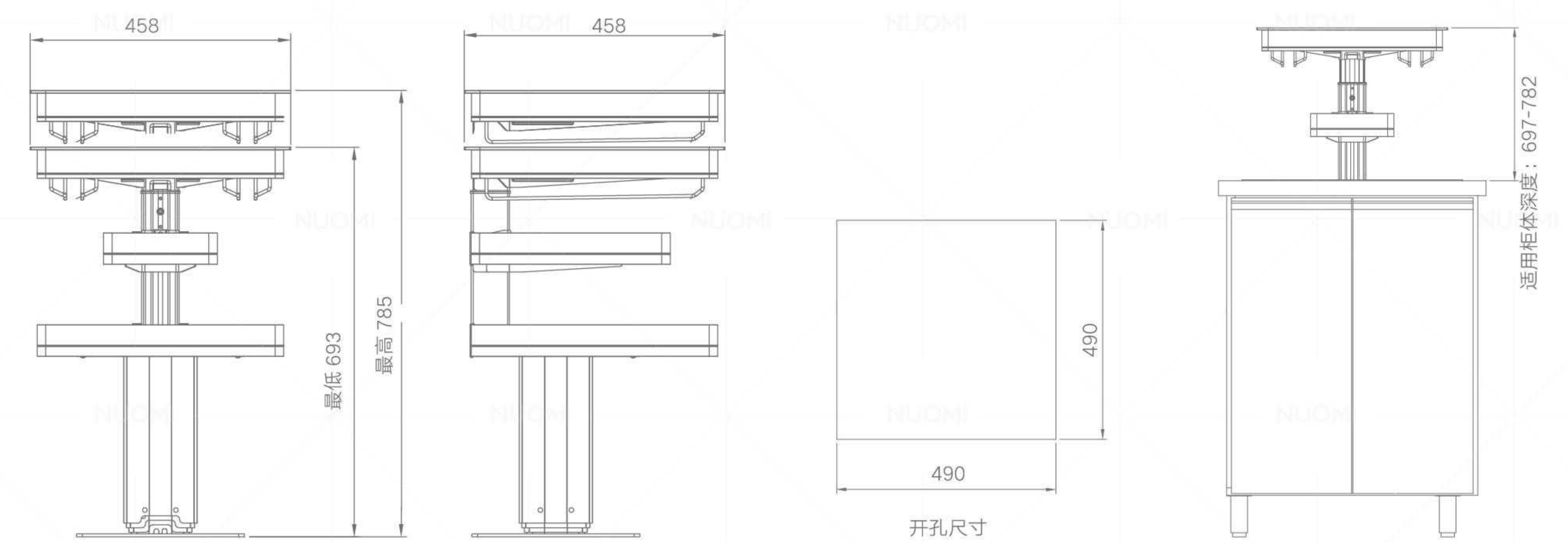
动态实测，平稳升降最大承重 26kg。



ELECTRIC LIFING BASE CABINET 电动升降地柜



型号 Item No.	适用柜宽 (T) Cabinet width	宽度 x 深度 x 高度 Width x Depth x Height	材质 Material	表面 Surface	工艺 Process
S1016001	600	458x458x747mm	铝合金 /Aluminium	太郎灰 /Highclass grey	氟碳喷涂 /Fluorocarbon coating

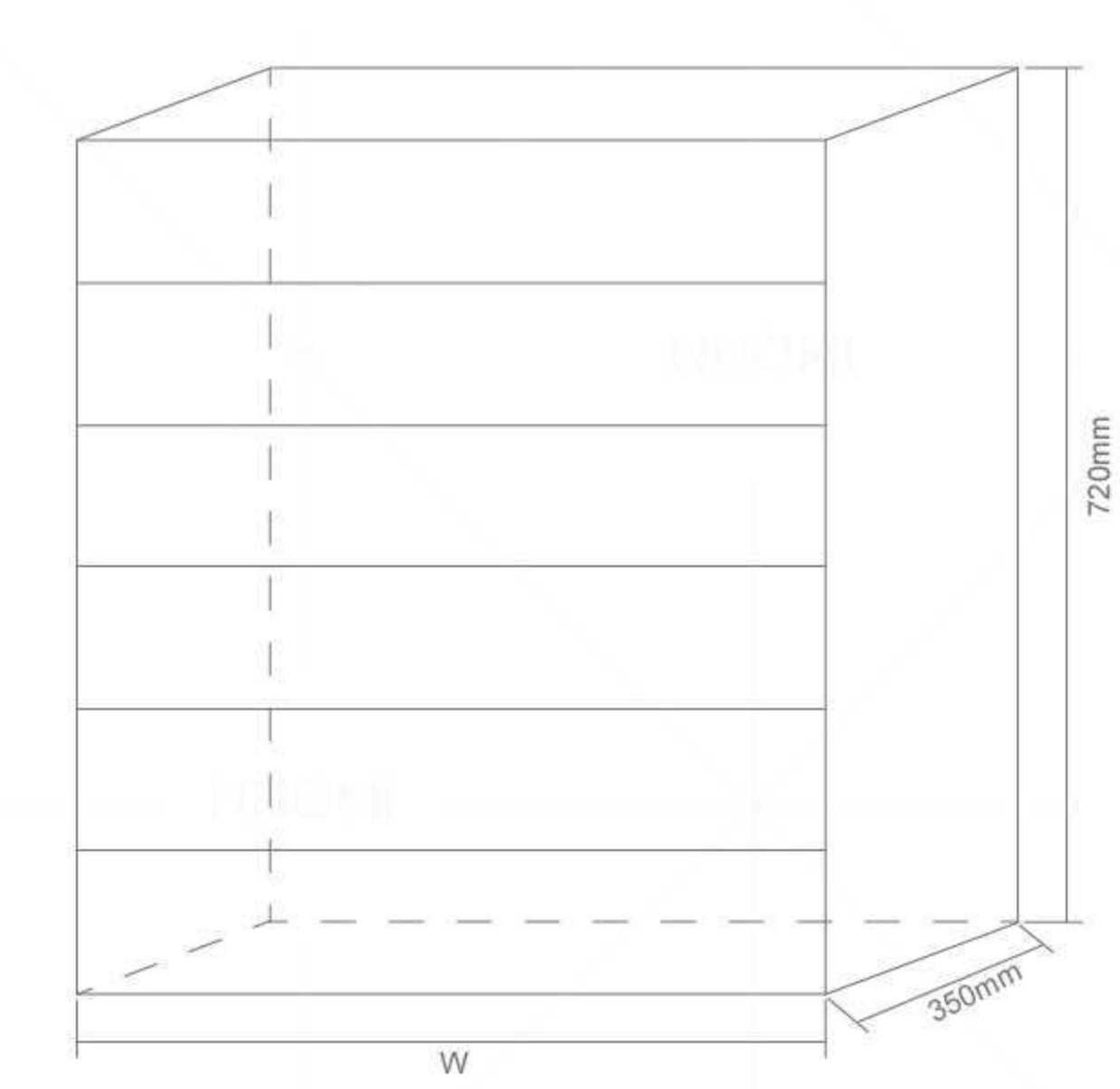




FANTASY CABIN (PEARL WHITE / STARRY SKY BLACK) 梦幻舱 (天使白 / 星空黑)



型号 Item No.	适用柜宽 (T) Cabinet width	宽度 x 深度 x 高度 Width x Depth x Height	柜门颜色 Cupboard door color	柜体颜色 Cabinet color
4146006	600	600x350x720mm	白色玻璃 /White glass	白色 /White
4148006	800	800x350x720mm	白色玻璃 /White glass	白色 /White
4149006	900	900x350x720mm	白色玻璃 /White glass	白色 /White
4146007	600	600x350x720mm	黑色玻璃 /Black glass	黑色 /Black
4148007	800	800x350x720mm	黑色玻璃 /Black glass	黑色 /Black
4149007	900	900x350x720mm	黑色玻璃 /Black glass	黑色 /Black



# AMETHYST

紫水晶系列





## Corner units Function and technology 功能与技术

### Function 功能

The storage can be divided according to cooking habits. The multifunctional storage can be changed flexibly based on personal habit. Easy to store, fetch and clean, ensure health. Neat kitchen storage, clear at a glance, convenient to fetch.

根据烹饪习惯，合理划分储物空间。多个功能收纳区，可按个人习惯，灵活变动储物空间。活动碗碟架，取放自如，更易清洁、保障卫生。厨房收纳整齐、一目了然、存放方便。

### Quality 品质

Basket is made of high-quality aluminium alloy and tempered glass. Slide adopts Germany technology and passed through European standard SGS80000 cycles test, much longer service life.

篮体由太空合金与钢化玻璃组合而成，超强耐腐蚀力，保证经久耐用；导轨通过欧标 SGS80000 次运动测试。

### Design 设计

Standard with German soft-close slide, works smoothly and steady, silent and auto-close; Easily amounted with cabinet door, convenient for installation; Bottom adopts double layer structure of stainless steel panel and 5mm PVC board, which is national patent design, strengthens the load-bearing.

标配德国阻尼导轨，开合顺滑流畅，静音自动复位；拉篮采用快装门板设计，安装简易、方便；底板采用专利带支撑板双层结构，不锈钢板结合 5mm 厚的 PVC 底板，承载力加强。

### Storage 储物

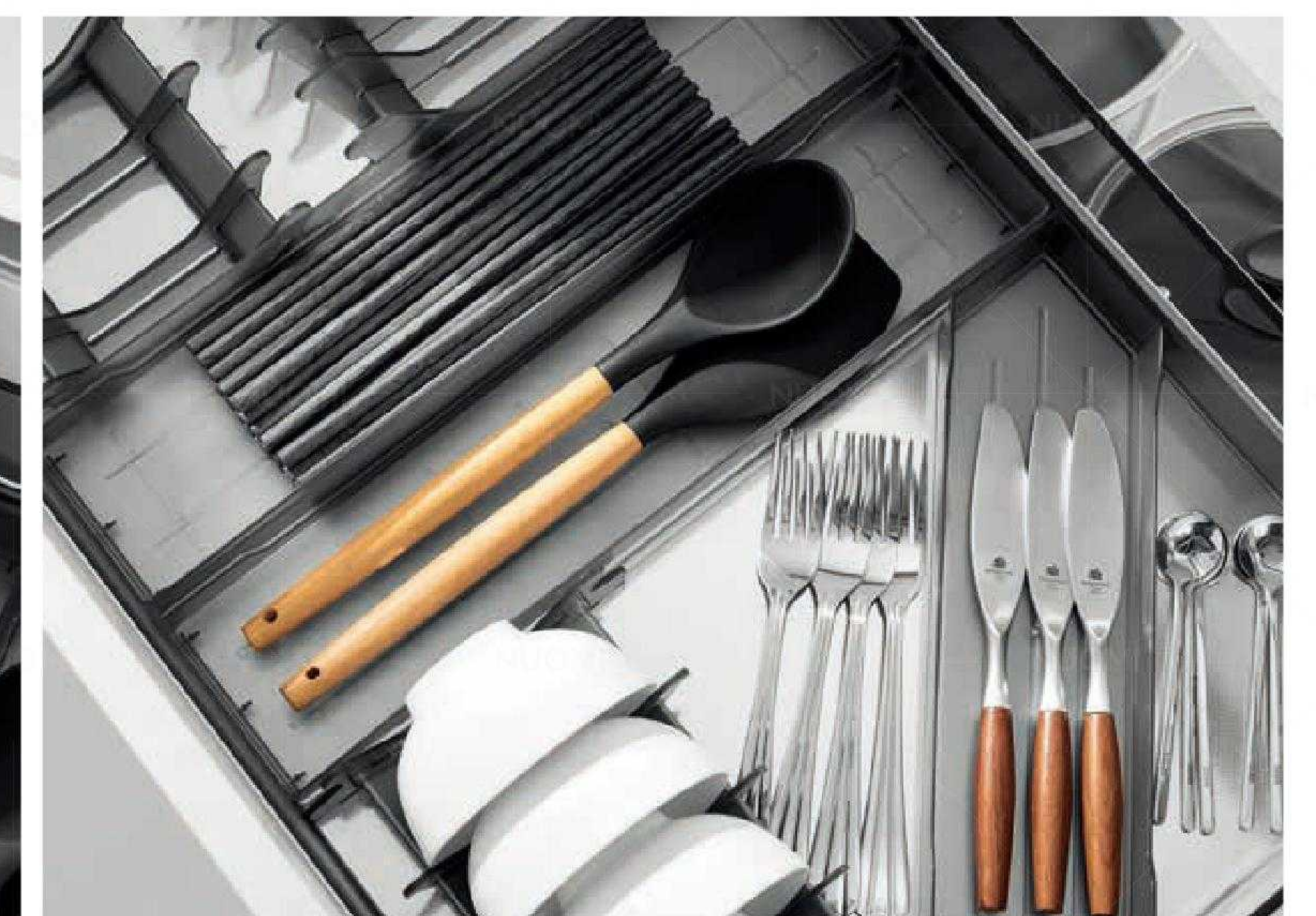
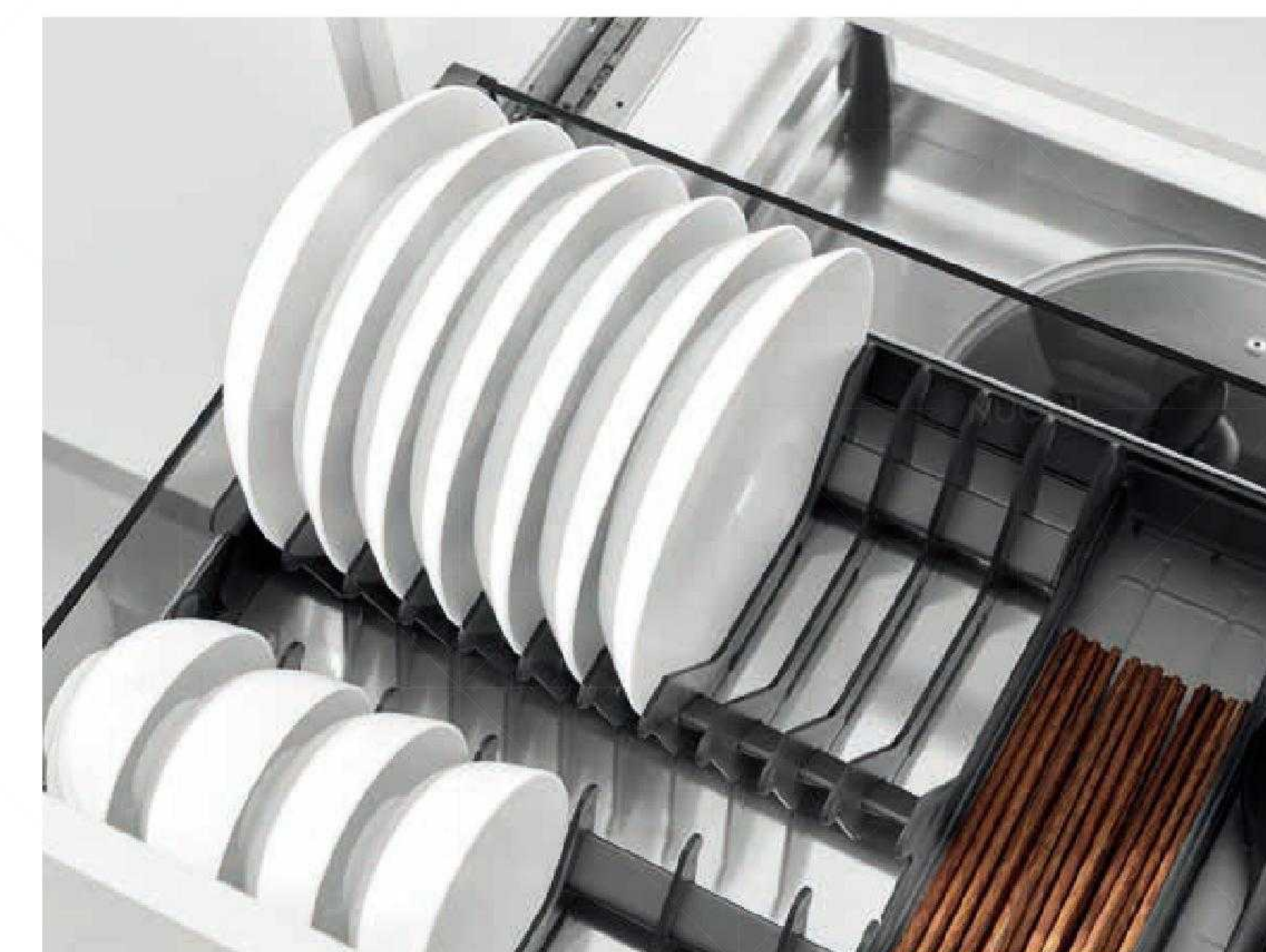
It is recommended to store different kinds of kitchenware, cooker, tableware, condiment according to different storage space.

建议根据不同区域储存各类厨房器皿、炊具、餐具、调味品等。

### Loading Capacity 承重

Germany Brand HURMAR soft-close synchronous slide, Max loading: 30KG

德国品牌赫马尼缓冲同步导轨，可最大承重 30KG。





# CORNER UNITS

## 转角系统

Magic corner, make the best use of corner space of Cabinet width, easily pullout the inner items from corner.

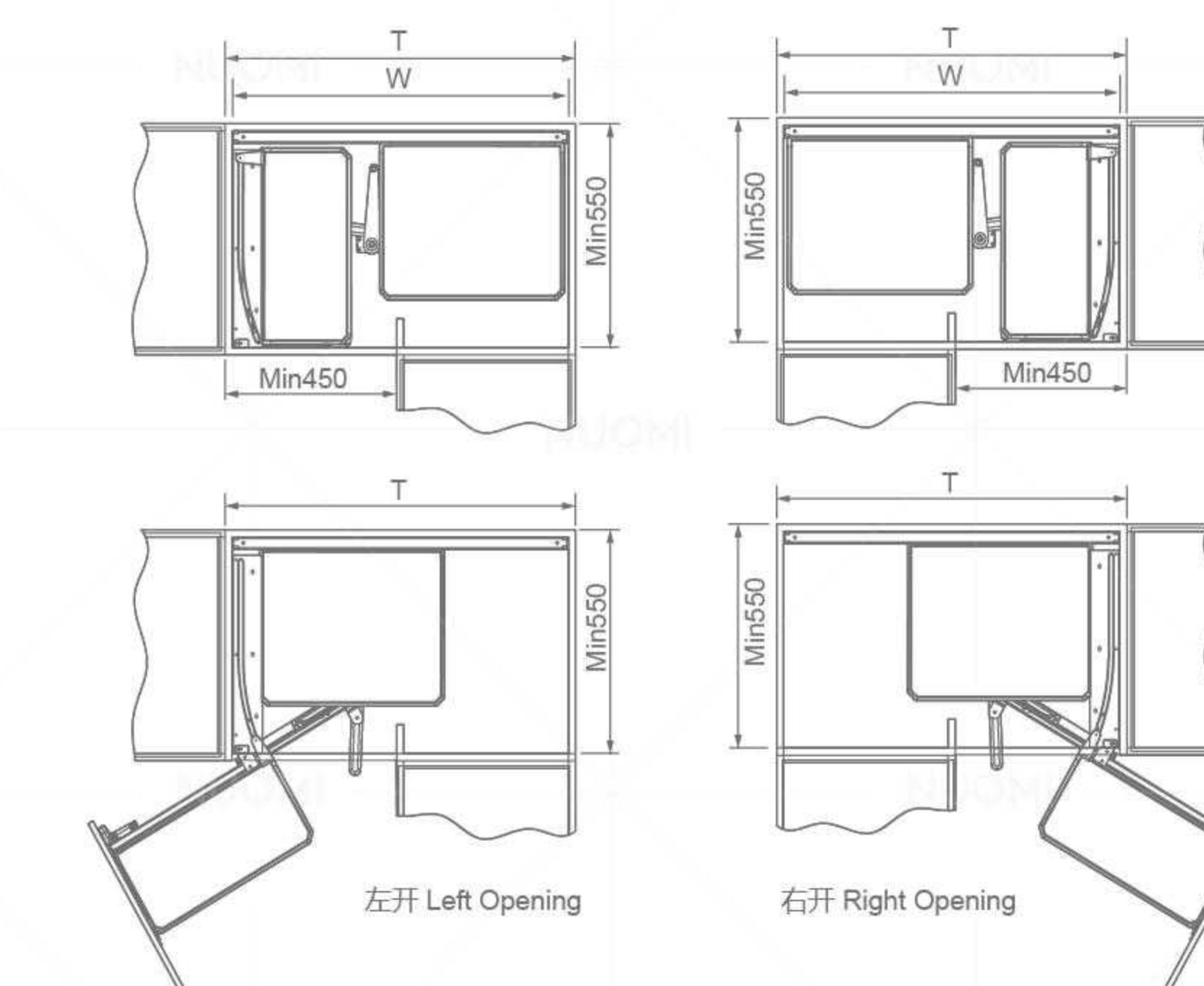
转角小怪物，充分利用厨房转角空间，实现所有物品拉出柜体，即使面对最里面的物件，也可轻松存取。



SOFT-CLOSE MAGIC CORNER 紫水晶小怪物



支架型号 Frame item No.	篮体型号 Basket item No.	适用柜宽 (T) Cabinet width	规格 (宽 x 深 x 高) Width x Depth x Height	描述 Description
1010001B	1010070A	900-1000mm	(860-960)x530x520mm	左开 /Left open
1010002B	1010070A	900-1000mm	(860-960)x530x520mm	右开 /Right open



# TALL CABINET SYSTEM

## 高柜系统

Unique linkage design, open the door at the same time with all the baskets, convenient storage. Mute design, so that the product in the process of opening and closing, always maintain smooth effect. Double guide rail design, different from the previous single guide rail mode, strengthen the bearing capacity of the product, and make the pull out maintain stable.

独特的联动设计，在开门的同时带出全部篮子，方便存放物品。静音设计，使产品在开合过程中，始终保持平稳、顺畅的效果。双导轨设计，一改以往单导轨模式，强化产品的承载能力，并使拉出保持平稳。

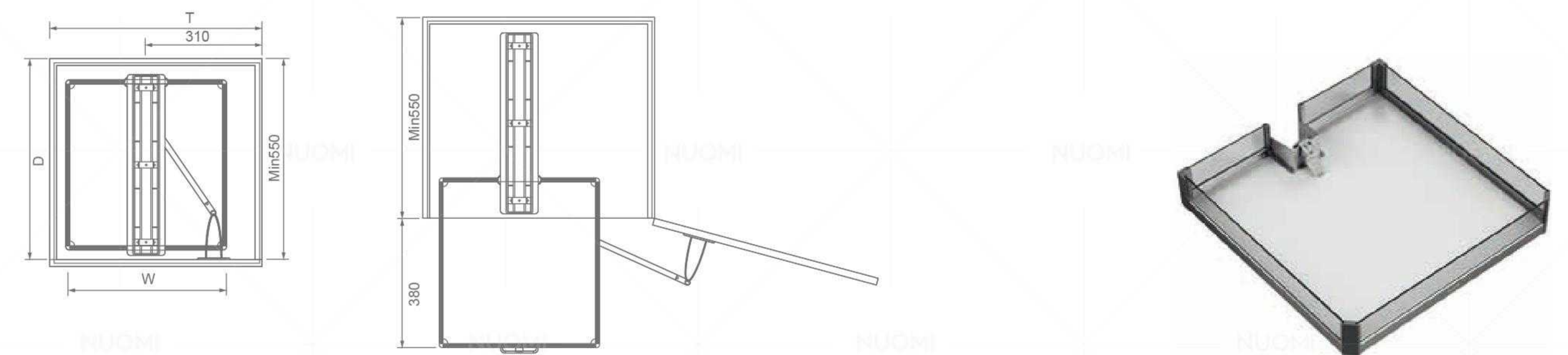




AMETHYST 紫水晶航母台



支架型号 Frame item No.	篮体型号 Basket item No.	适用柜宽 (T) Cabinet width	宽度 x 深度 x 高度 Width x Depth x Height	描述 Description
2030002B	2030072A	450mm	(404-424)x500x1780mm	5层/Tiers
2030002B	2030074A	600mm	(554-574)x500x1780mm	5层/Tiers



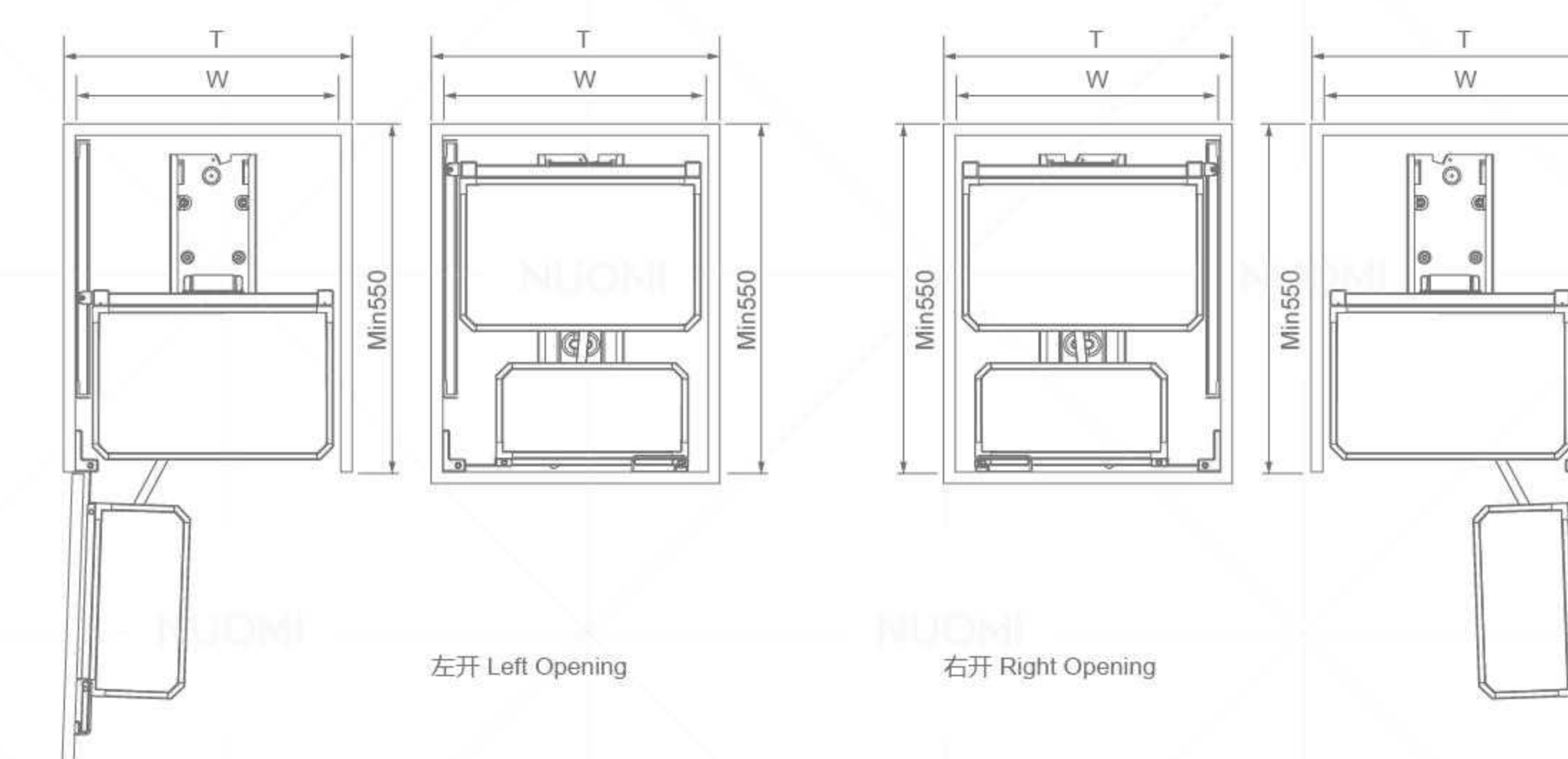
建议门板使用 165°铰链  
Suggesting cabinet door being mounted with 165° hinge



PANTRY ROLL-OUT 紫水晶大怪物



支架型号 Frame item No.	篮体型号 Basket item No.	适用柜宽 (T) Cabinet width	宽度 x 深度 x 高度 Width x Depth x Height	描述 Description
2020001B	2020071A	450mm	405x500x(1180 以上 above)mm	4层 /Tiers
2020002B	2020072A	450mm	405x500x(1430 以上 above)mm	5层 /Tiers
2020003B	2020073A	450mm	405x500x(1780 以上 above)mm	6层 /Tiers
2020004B	2020074A	600mm	555x500x(1180 以上 above)mm	4层 /Tiers
2020005B	2020075A	600mm	555x500x(1430 以上 above)mm	5层 /Tiers
2020006B	2020076A	600mm	555x500x(1780 以上 above)mm	6层 /Tiers

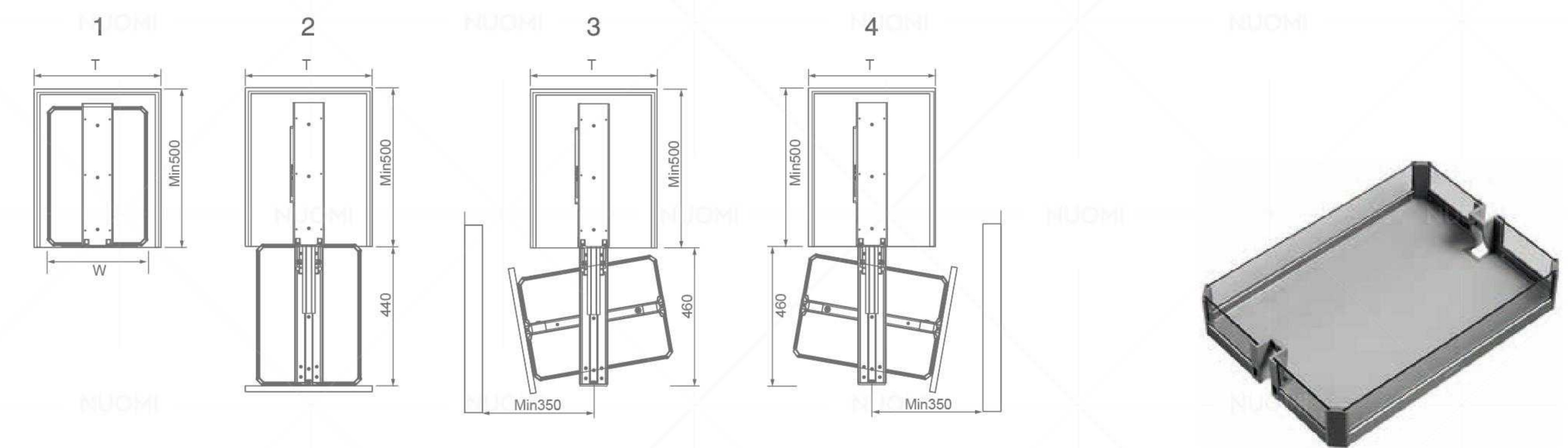




REVOLVING TALL UNIT 紫水晶阻尼旋转高身篮



支架型号 (180°旋转) Frame item No.(180° Revolving)	篮体型号 Basket item No.	导轨型号 Rail item No.	适用柜宽 (T) Cabinet width	宽度 x 深度 x 高度 Width x Depth x Height	描述 Description
2010001B	2010071A	2010007B	300mm	240x480x(1180-1480)mm	4层 /Tiers
2010002B	2010072A	2010007B	300mm	240x480x(1430-1730)mm	5层 /Tiers
2010003B	2010073A	2010007B	300mm	240x480x(1780-2080)mm	6层 /Tiers
2010001B	2010074A	2010008B	400mm	340x480x(1180-1480)mm	4层 /Tiers
2010002B	2010075A	2010008B	400mm	340x480x(1430-1730)mm	5层 /Tiers
2010003B	2010076A	2010008B	400mm	340x480x(1780-2080)mm	6层 /Tiers



180°旋转支架实现状态 /180° Revolving Tall Unit : 1、2、3、4

# BASE CABINET SYSTEM

## 地柜系统

To be simple and to see the simple sides of life; the beauty and storage functions are all important, so that the dream kitchen can be closer to your life.

去繁就简，窥见生活的简练一面，美观、储物功能一样不少，让梦想厨房更贴近您的生活。





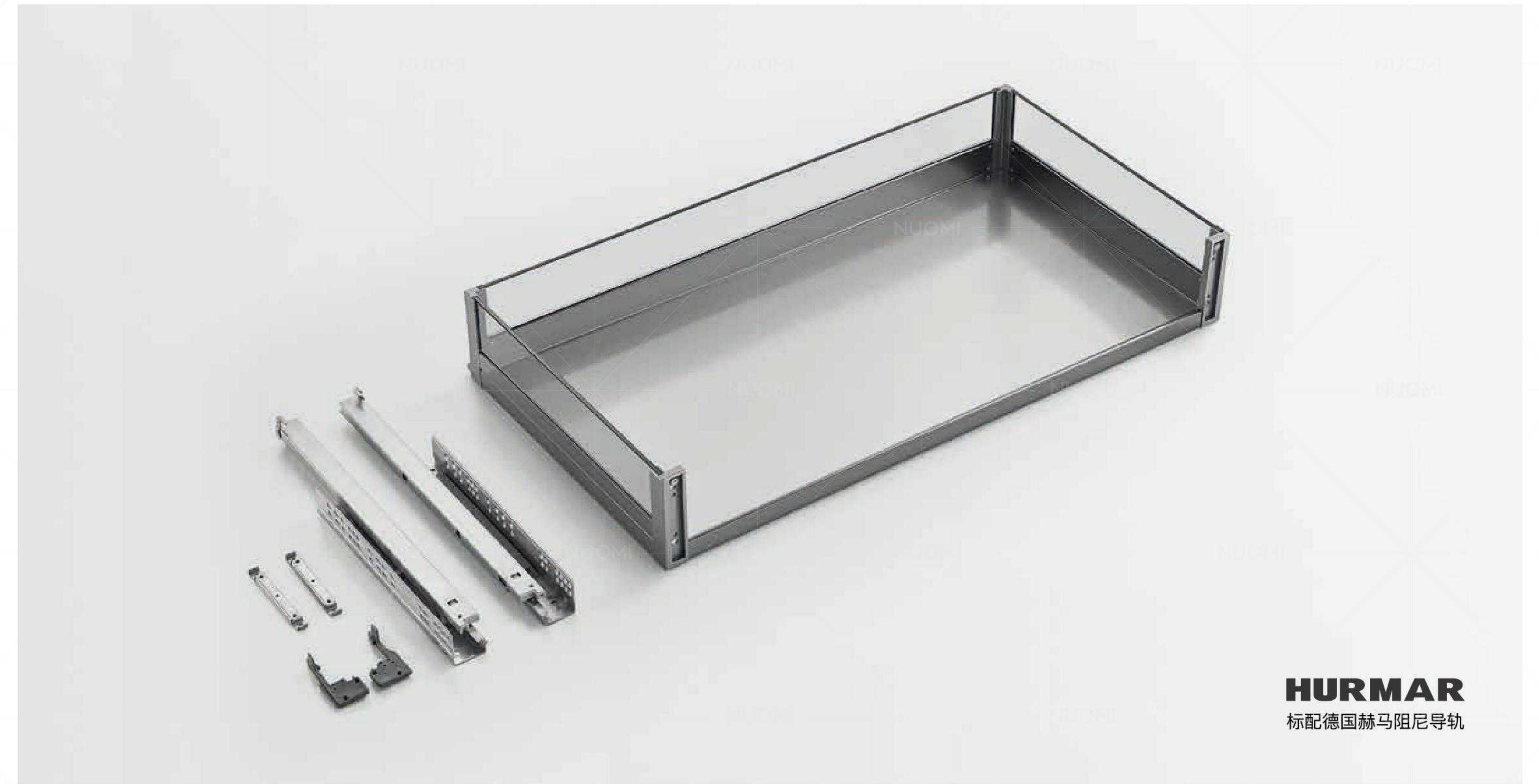
AMETHYST



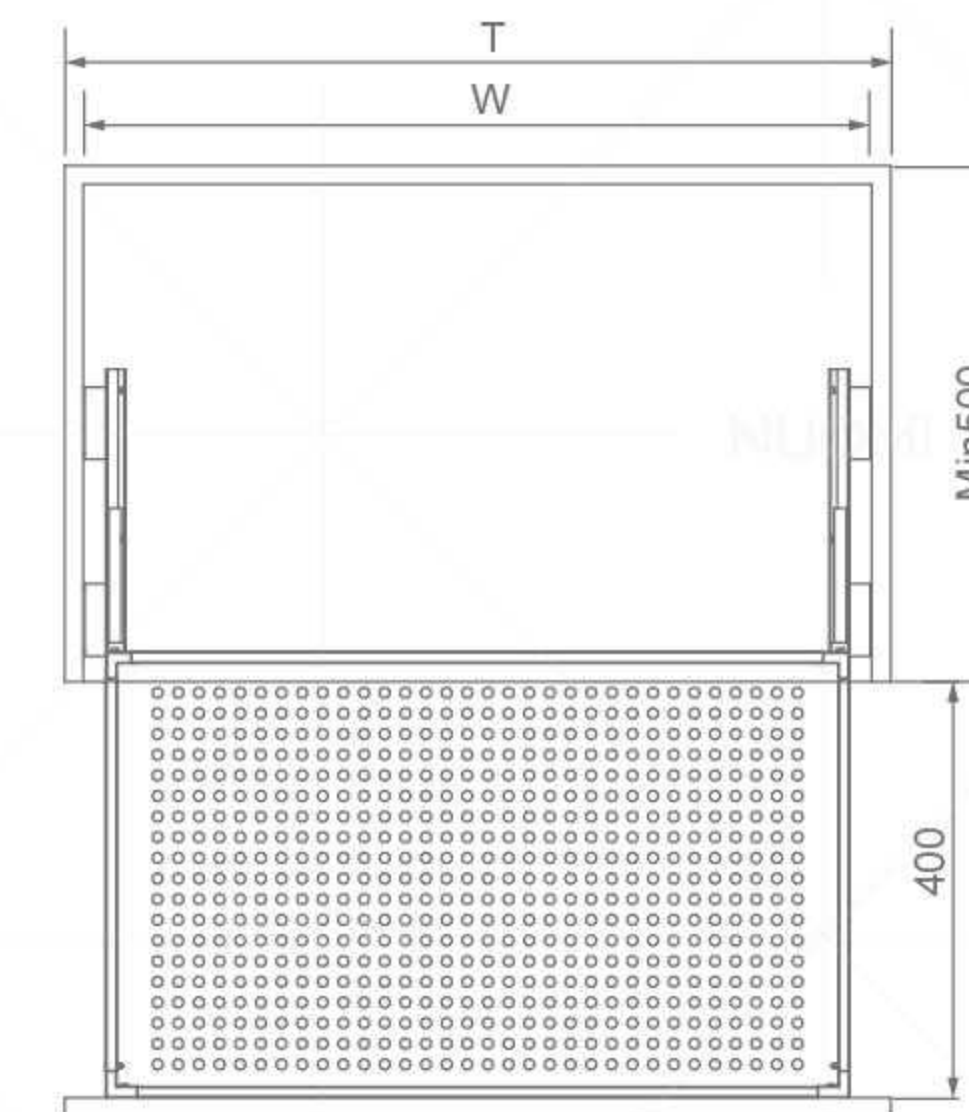




PULL-OUT BASKET 紫水晶炉头平篮

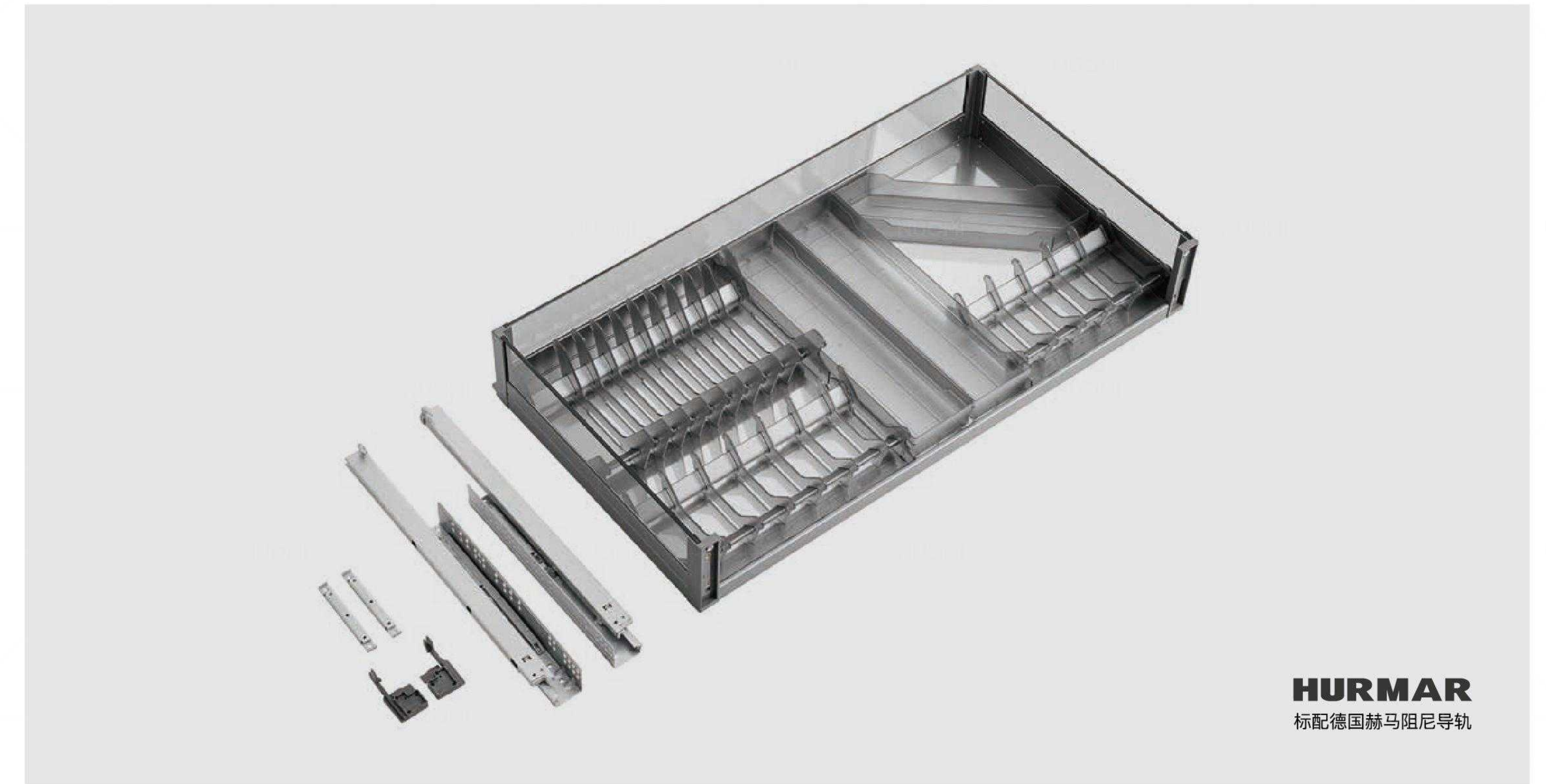


型号 Item No.	适用柜宽 (T) Cabinet width	宽度 x 深度 x 高度 Width x Depth x Height	材质 Material	表面 Surface	工艺 Process
3076001	600mm	564x453x160mm	太空合金 + 钢化玻璃 / Aluminium + glass	太郎灰 / Highclass grey	水性氟碳喷涂 / Waterborne fluorocarbon spraying
3077001	700mm	664x453x160mm	太空合金 + 钢化玻璃 / Aluminium + glass	太郎灰 / Highclass grey	水性氟碳喷涂 / Waterborne fluorocarbon spraying
3077501	750mm	714x453x160mm	太空合金 + 钢化玻璃 / Aluminium + glass	太郎灰 / Highclass grey	水性氟碳喷涂 / Waterborne fluorocarbon spraying
3078001	800mm	764x453x160mm	太空合金 + 钢化玻璃 / Aluminium + glass	太郎灰 / Highclass grey	水性氟碳喷涂 / Waterborne fluorocarbon spraying
3079001	900mm	864x453x160mm	太空合金 + 钢化玻璃 / Aluminium + glass	太郎灰 / Highclass grey	水性氟碳喷涂 / Waterborne fluorocarbon spraying

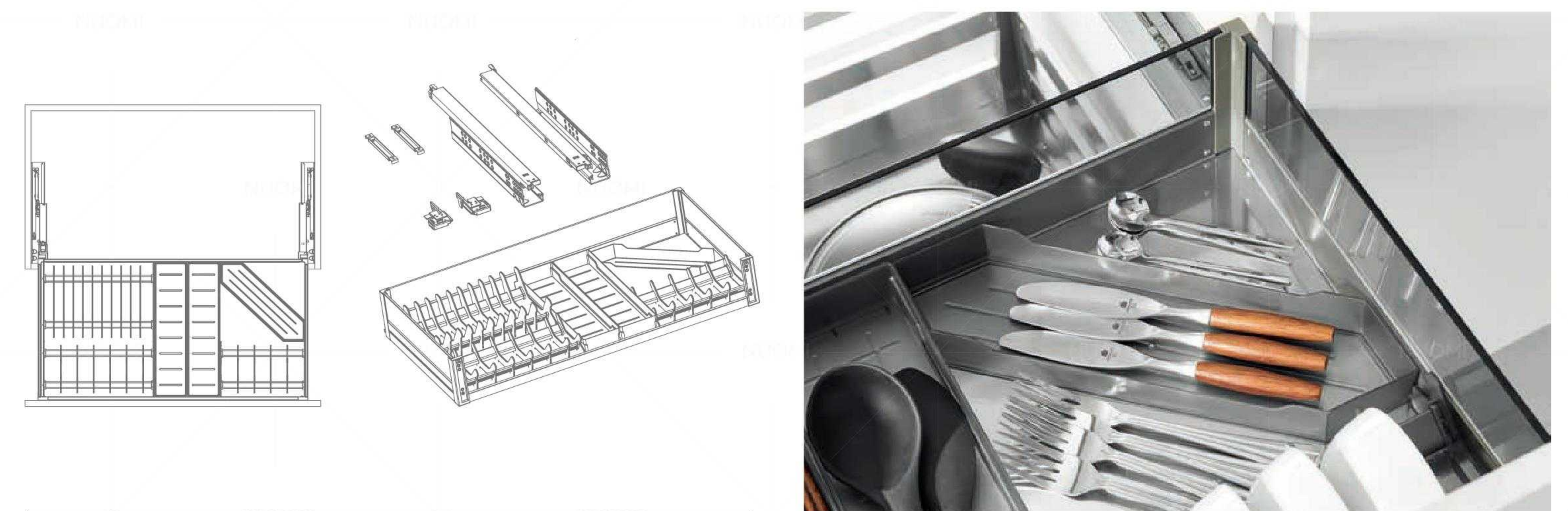




MULTIFUNCTIONAL PULL-OUT BASKET 紫水晶三边碗碟篮



型号 Item No.	适用柜宽 (T) Cabinet width	宽度 x 深度 x 高度 Width x Depth x Height	材质 Material	表面 Surface	工艺 Process
3076002	600mm	564x453x160mm	太空合金 + 钢化玻璃 / Aluminium + glass	太郎灰 / Highclass grey	水性氟碳喷涂 / Waterborne fluorocarbon spraying
3077002	700mm	664x453x160mm	太空合金 + 钢化玻璃 / Aluminium + glass	太郎灰 / Highclass grey	水性氟碳喷涂 / Waterborne fluorocarbon spraying
3077502	750mm	714x453x160mm	太空合金 + 钢化玻璃 / Aluminium + glass	太郎灰 / Highclass grey	水性氟碳喷涂 / Waterborne fluorocarbon spraying
3078002	800mm	764x453x160mm	太空合金 + 钢化玻璃 / Aluminium + glass	太郎灰 / Highclass grey	水性氟碳喷涂 / Waterborne fluorocarbon spraying
3079002	900mm	864x453x160mm	太空合金 + 钢化玻璃 / Aluminium + glass	太郎灰 / Highclass grey	水性氟碳喷涂 / Waterborne fluorocarbon spraying



# PULL-OUT BASKET FOR SEASONING

## 调味篮

Designed for modern fashion kitchen, small space, large function, planning your space storage, from top to bottom, orderly to create a new high-quality lifestyle.

专为现代时尚厨房设计，小空间，大功能，规划您的空间储存，自上而下，有条不紊，开启全新高品质生活。





Kitchen  
Functional  
Hardware

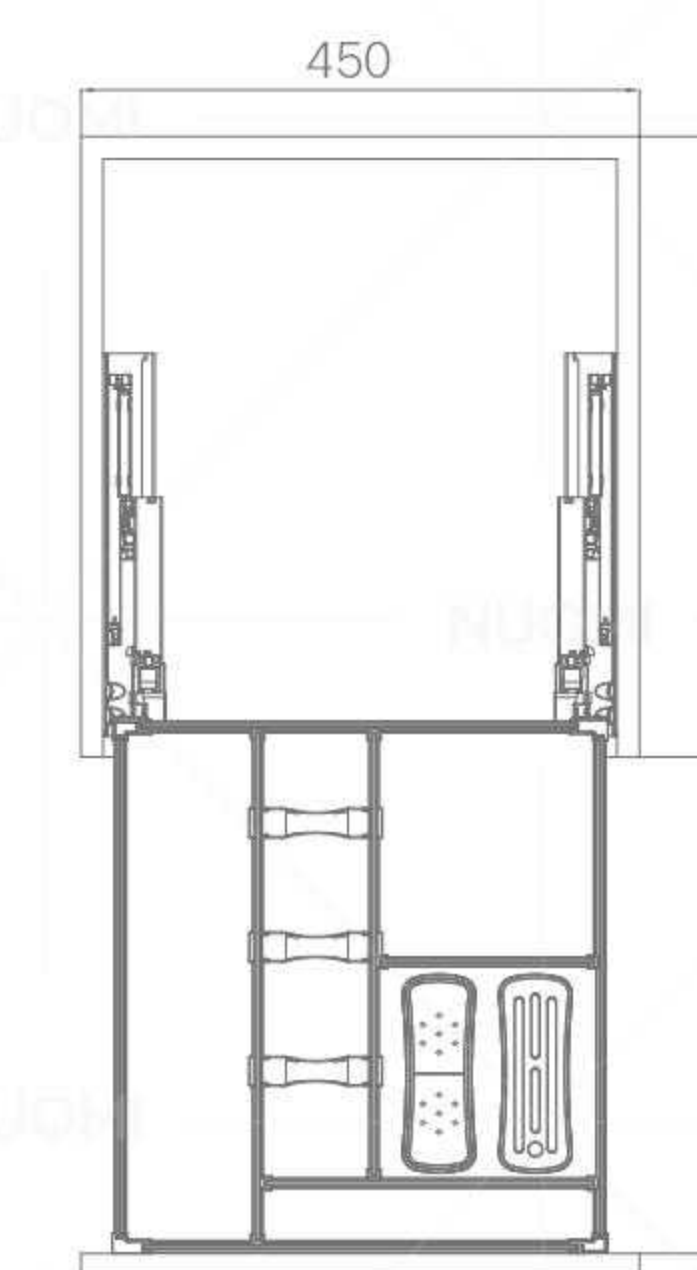




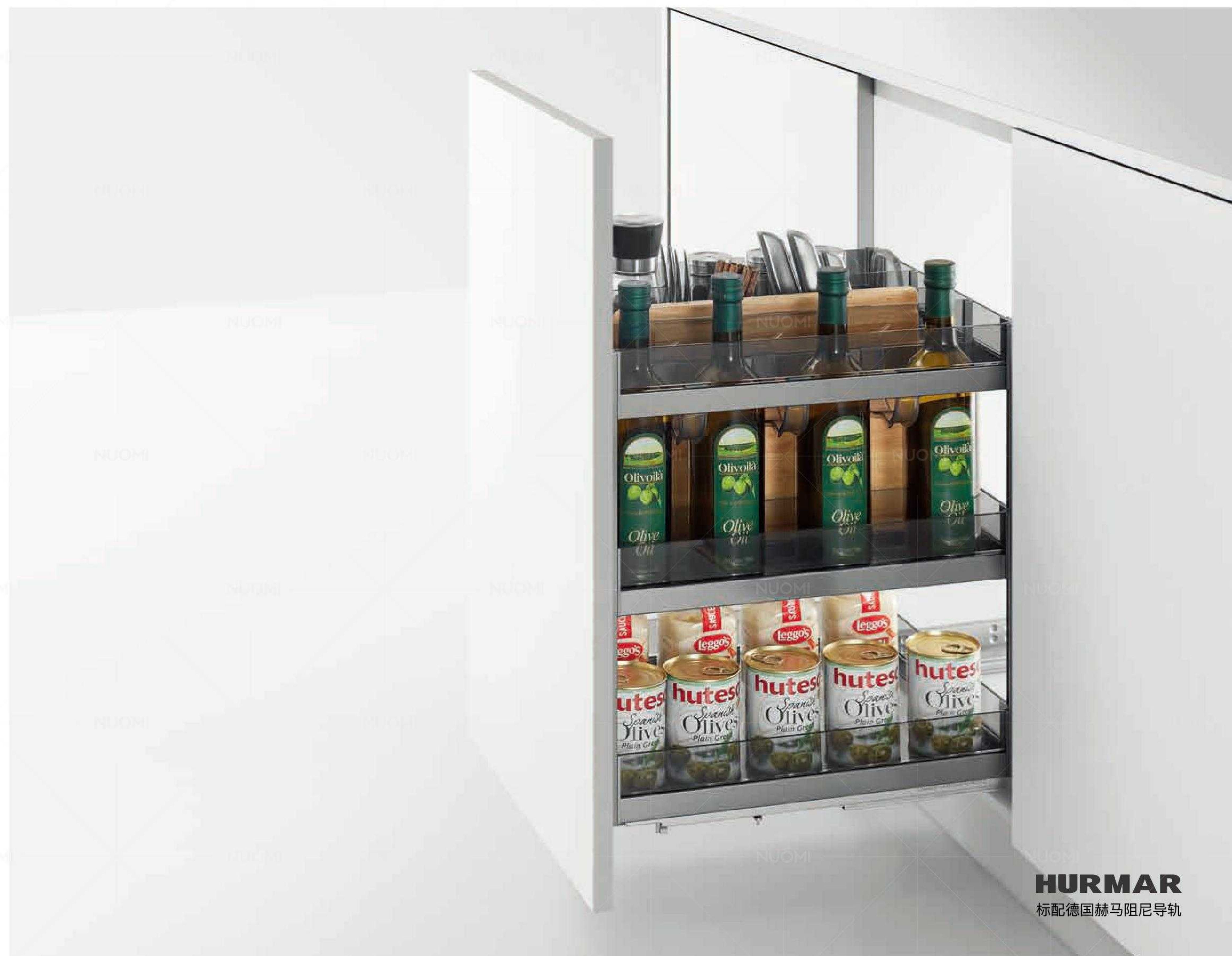
PULL-OUT BASKET FOR SEASONING 紫水晶调味篮



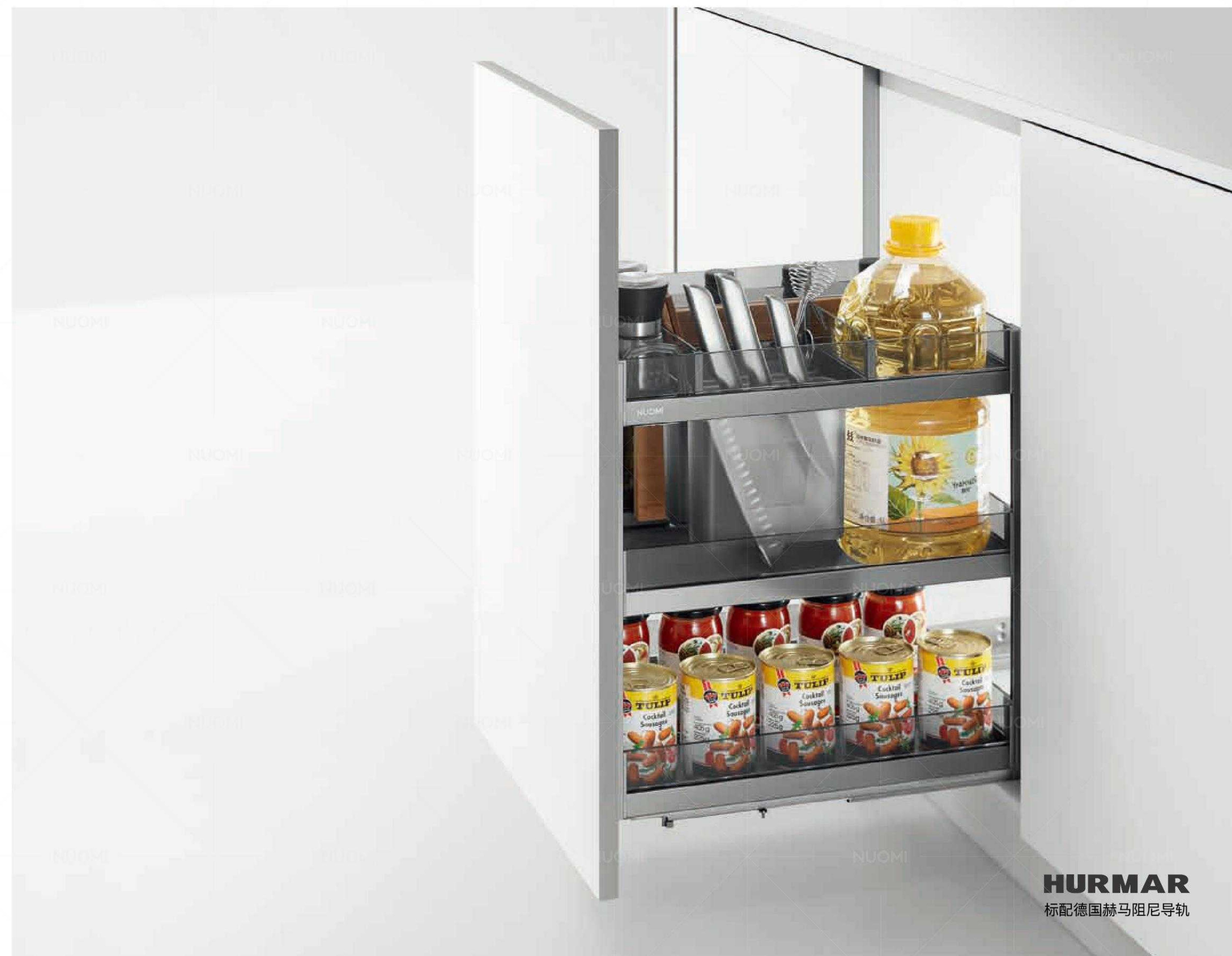
型号 Item No.	适用柜宽 (T) Cabinet width	宽度 x 深度 x 高度 Width x Depth x Height	材质 Material	表面 Surface	工艺 Process
3074501	450mm	414x453x490mm	太空合金 + 钢化玻璃 / Aluminium + glass	太郎灰 / Highclass grey	水性氟碳喷涂 / Waterborne fluorocarbon spraying



PULL-OUT BASKET FOR SEASONING 紫水晶调味篮

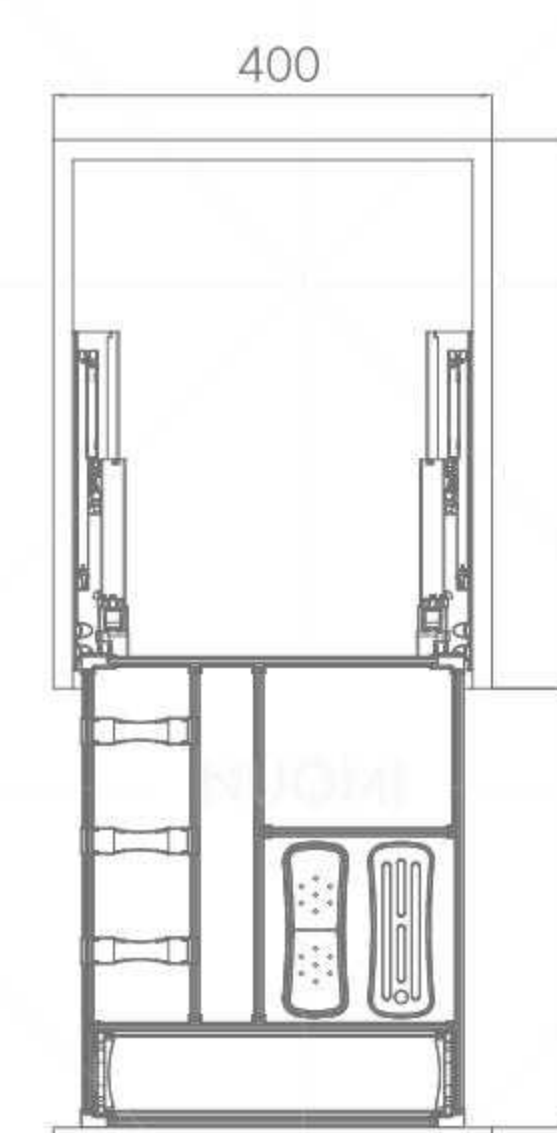
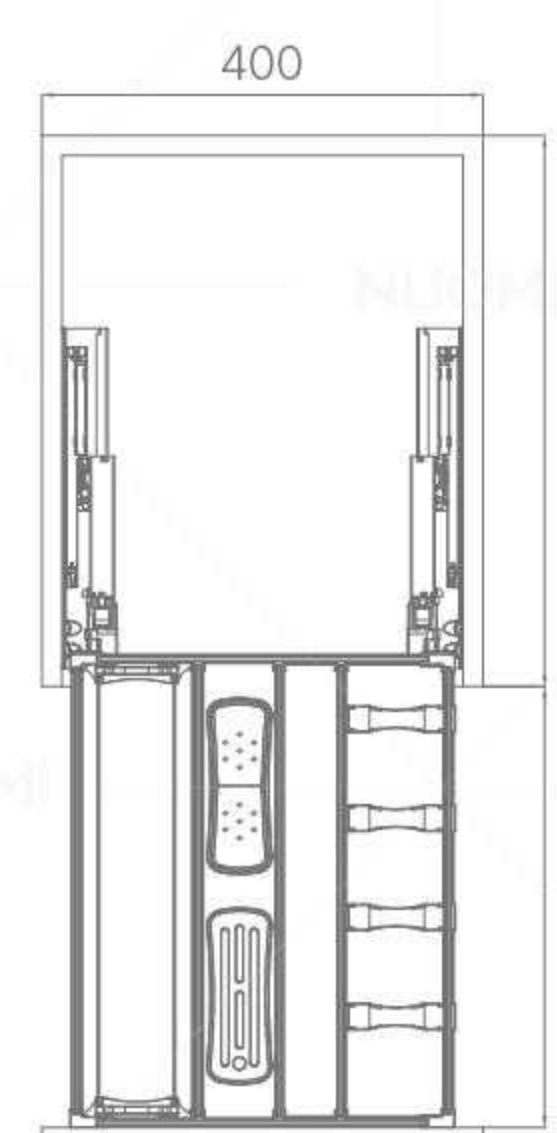


PULL-OUT BASKET FOR SEASONING 紫水晶调味篮



型号 Item No.	适用柜宽 (T) Cabinet width	宽度 x 深度 x 高度 Width x Depth x Height	材质 Material	表面 Surface	工艺 Process
3074001	400mm	364x453x490mm	太空合金 + 钢化玻璃 / Aluminium + glass	太郎灰 / Highclass grey	水性氟碳喷涂 / Waterborne fluorocarbon spraying

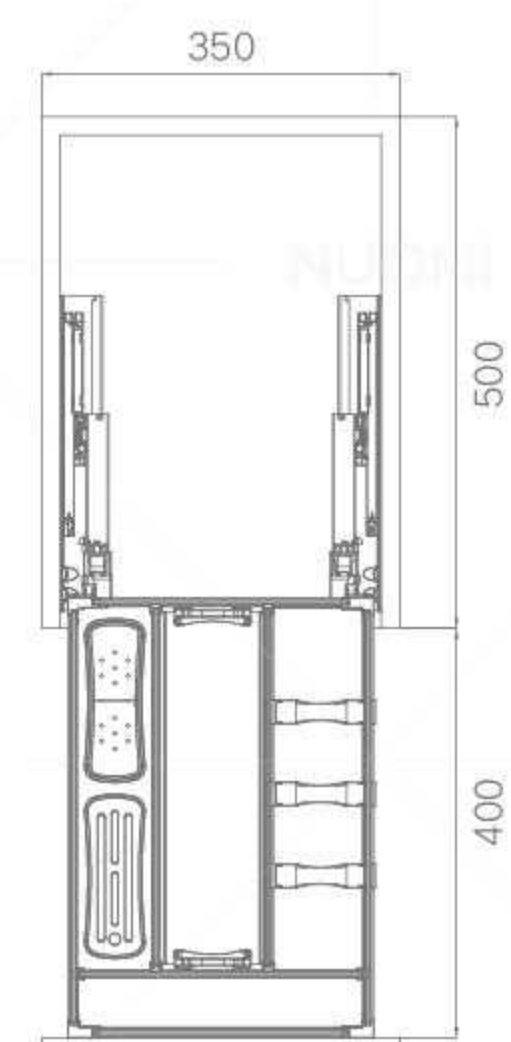
型号 Item No.	适用柜宽 (T) Cabinet width	宽度 x 深度 x 高度 Width x Depth x Height	材质 Material	表面 Surface	工艺 Process
3074002	400mm	364x453x490mm	太空合金 + 钢化玻璃 / Aluminium + glass	太郎灰 / Highclass grey	水性氟碳喷涂 / Waterborne fluorocarbon spraying



PULL-OUT BASKET FOR SEASONING 紫水晶调味篮



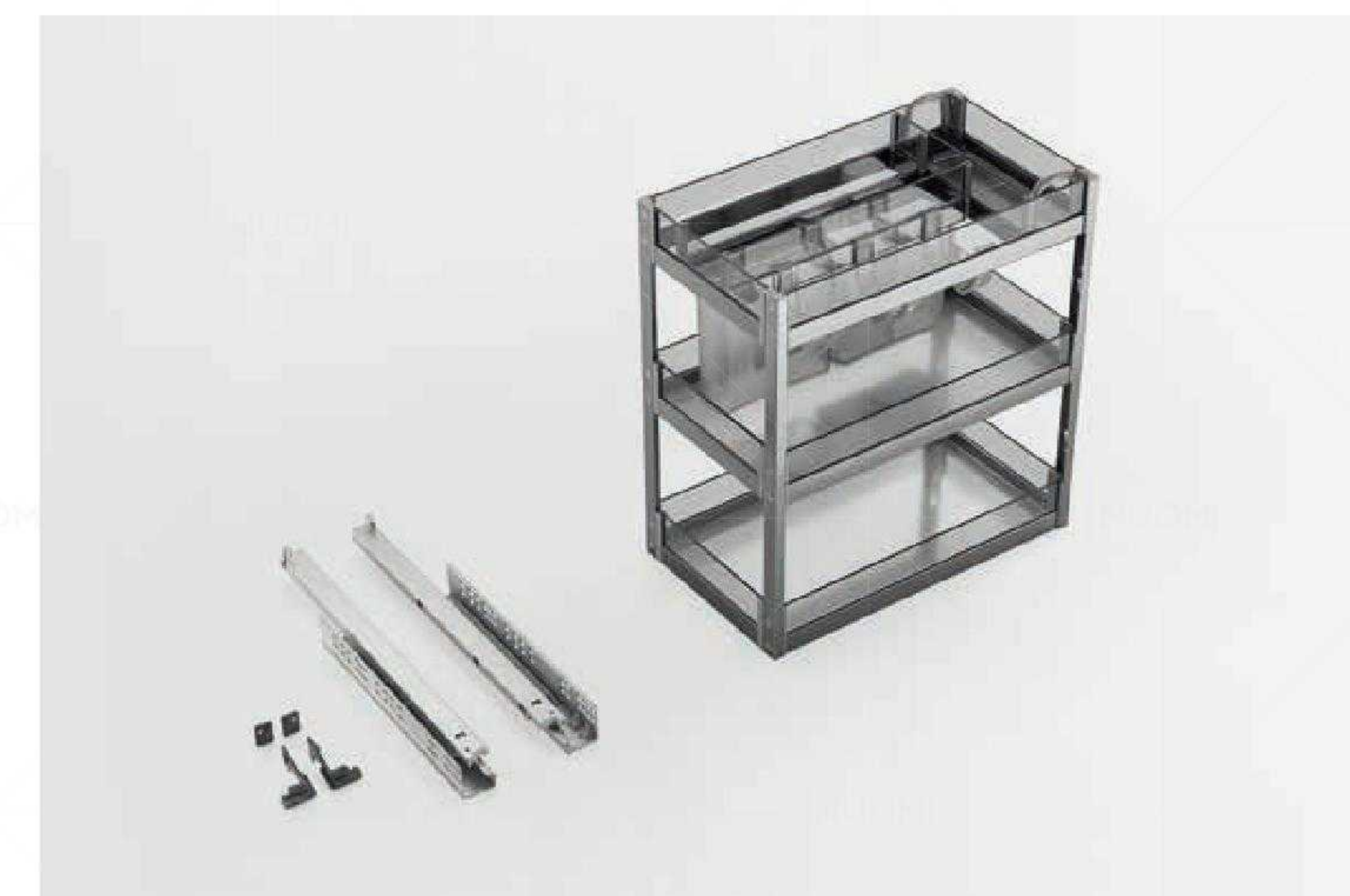
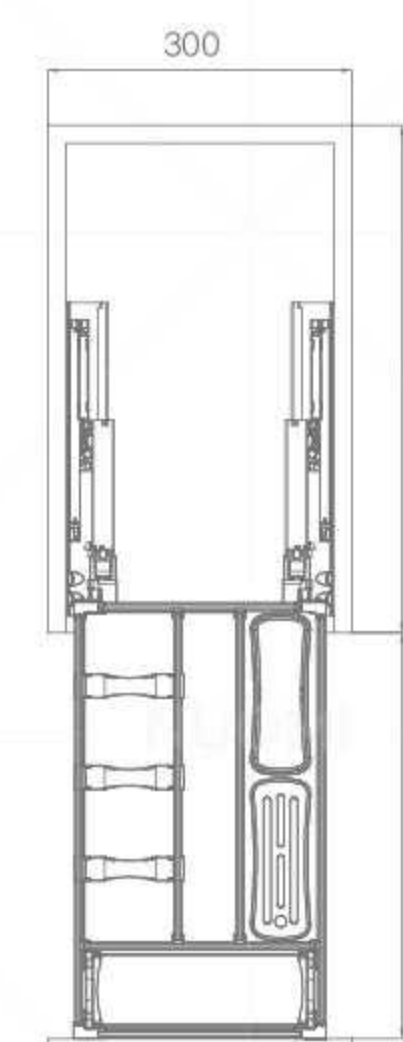
型号 Item No.	适用柜宽 (T) Cabinet width	宽度 x 深度 x 高度 Width x Depth x Height	材质 Material	表面 Surface	工艺 Process
3073501	350mm	314x453x490mm	太空合金 + 钢化玻璃 / Aluminium + glass	太郎灰 / Highclass grey	水性氟碳喷涂 / Waterborne fluorocarbon spraying



PULL-OUT BASKET FOR SEASONING 紫水晶调味篮



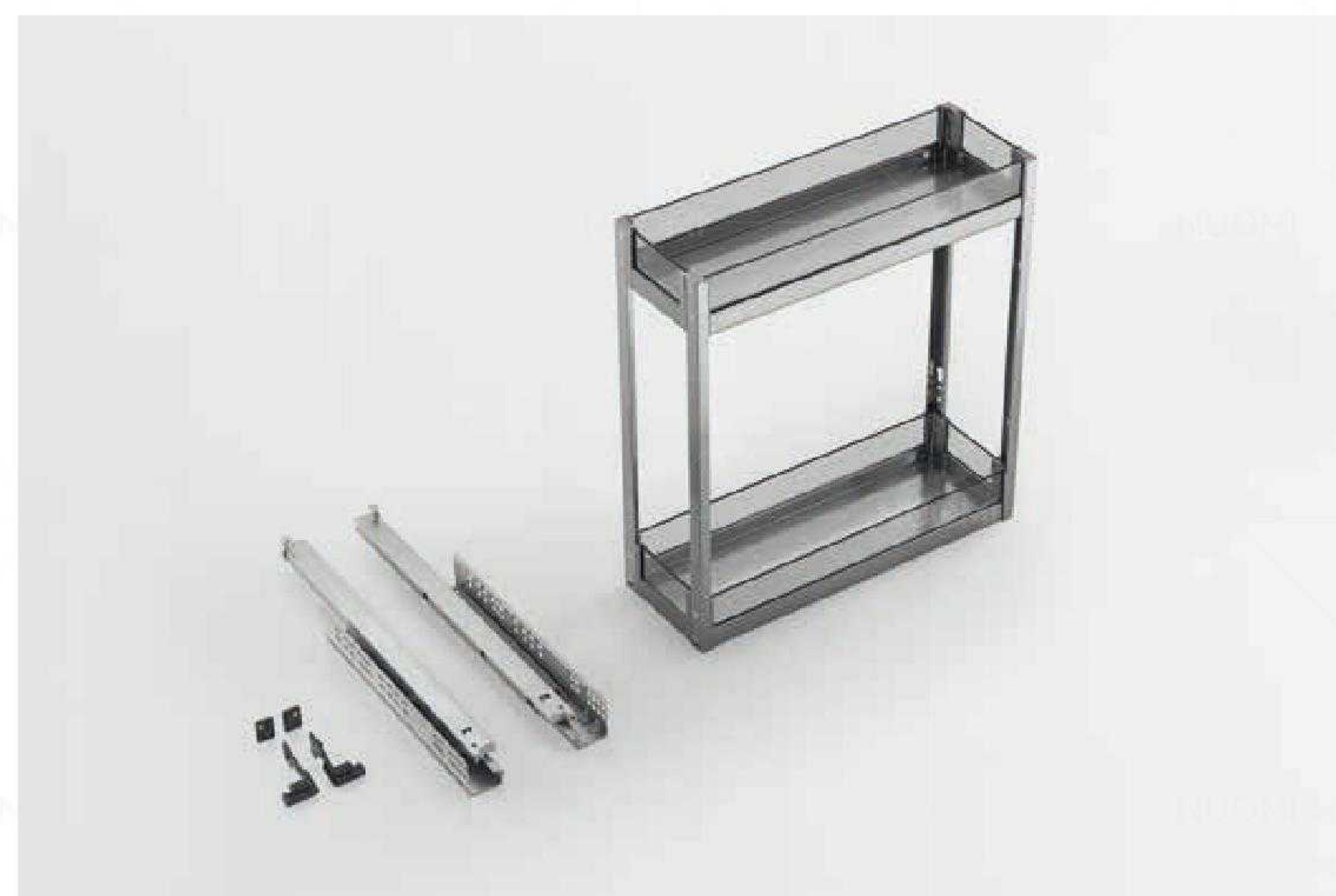
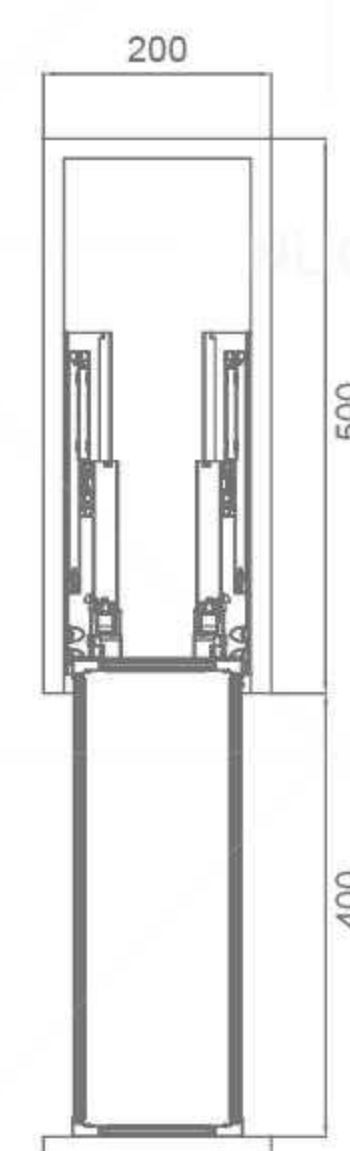
型号 Item No.	适用柜宽 (T) Cabinet width	宽度 x 深度 x 高度 Width x Depth x Height	材质 Material	表面 Surface	工艺 Process
3073001	300mm	264x453x490mm	太空合金 + 钢化玻璃 / Aluminium + glass	太郎灰 / Highclass grey	水性氟碳喷涂 / Waterborne fluorocarbon spraying



PULL-OUT BASKET FOR SEASONING 紫水晶窄边篮



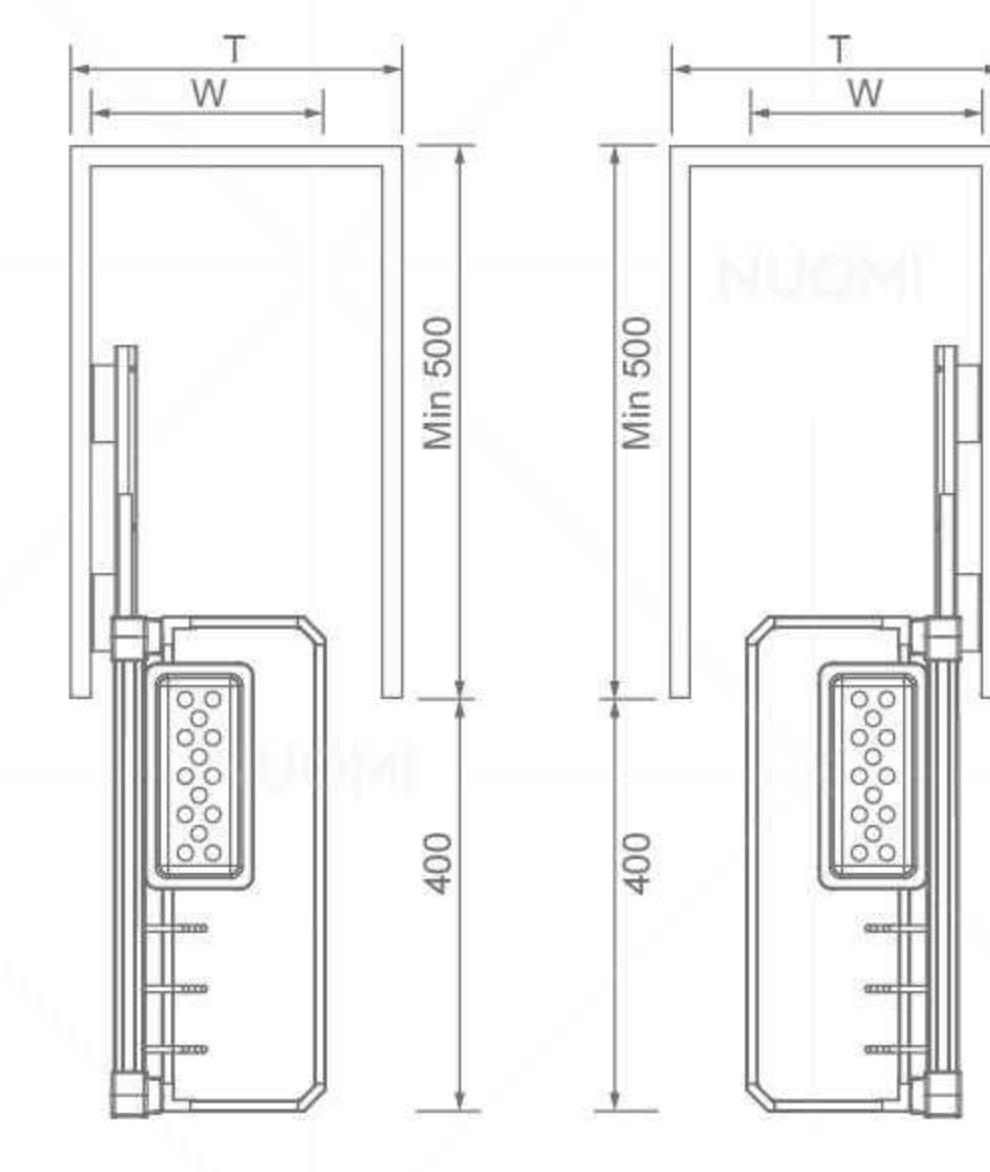
型号 Item No.	适用柜宽 (T) Cabinet width	宽度 x 深度 x 高度 Width x Depth x Height	材质 Material	表面 Surface	工艺 Process
3072001	200mm	164x453x490mm	太空合金 + 钢化玻璃 / Aluminium + glass	太郎灰 / Highclass grey	水性氟碳喷涂 / Waterborne fluorocarbon spraying



SIDE-AMOUNTED BASKET UNDER SINK 紫水晶侧装水槽篮



型号 Item No.	适用柜宽 (T) Cabinet width	宽度 x 深度 x 高度 Width x Depth x Height	材质 Material	表面 Surface	工艺 Process
3072004A	—	215x460x450mm	太空合金 + 钢化玻璃 / Aluminium + glass	太郎灰 / Highclass grey	水性氟碳喷涂 / Waterborne fluorocarbon spraying



左开 Left Opening 右开 Right Opening



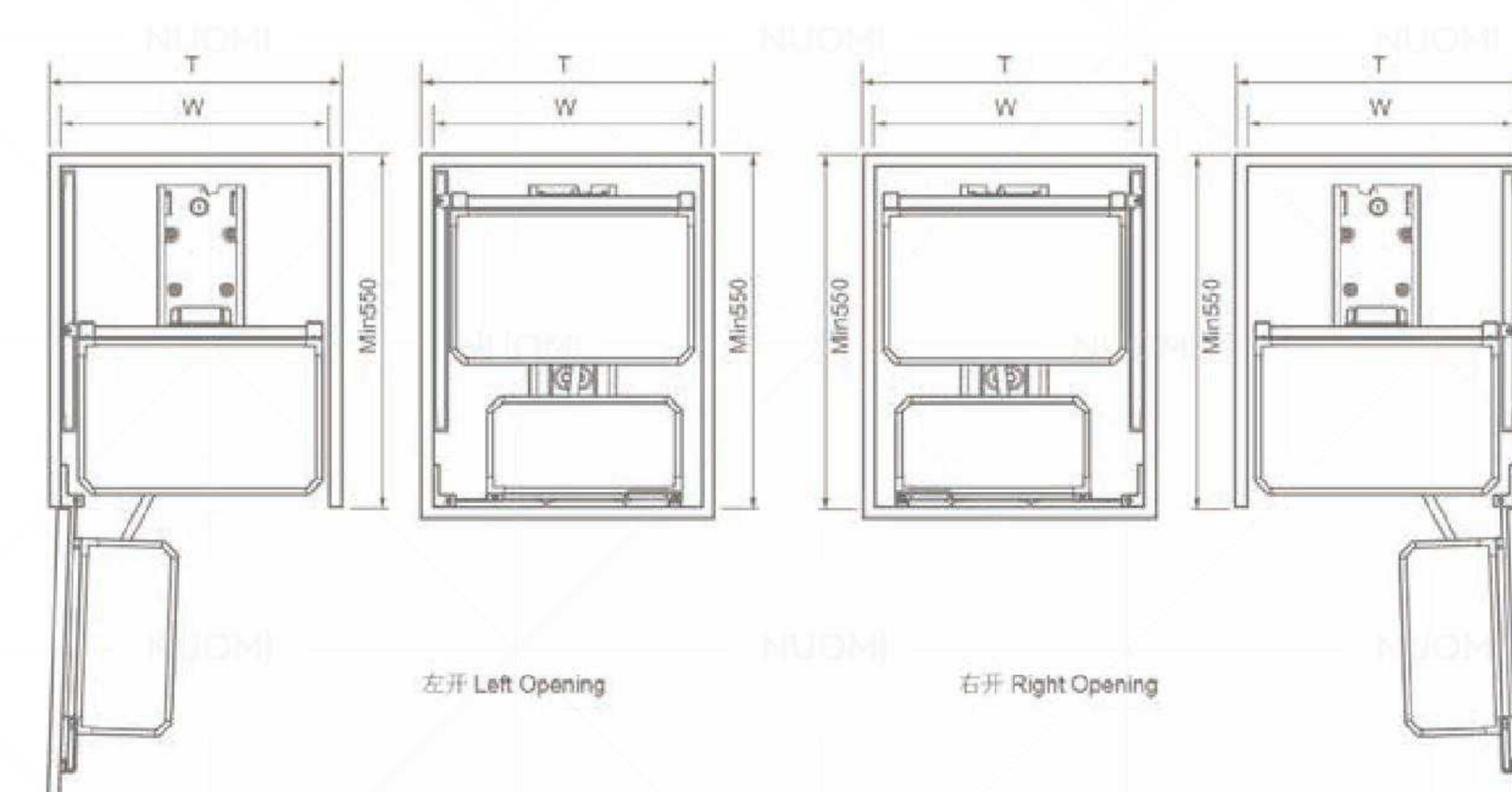




BASE CABINET PANTRY ROLL-OUT 紫水晶地柜联动篮



支架型号 Frame item No.	篮体型号 Basket item No.	适用柜宽 (T) Cabinet width	宽度 x 深度 x 高度 Width x Depth x Height	描述 Description
202007B	2020077A	450mm	405x500x(600 以上 above)mm	左右共用 / Universal for left & right
202008B	2020078A	600mm	555x500x(600 以上 above)mm	左右共用 / Universal for left & right



# WALL CUPBOARD SYSTEM

## 吊柜系统

Liftable design, make the best use of higher space.  
Humanized design, adjust pull and resilience force  
according to loading weight, make the usage more safe and  
comfortable.

可升降设计，让吊柜空间利用变得平易近人。人性化设计，可根据  
储物重量调节下拉力和或弹力，让上下取物更安全。

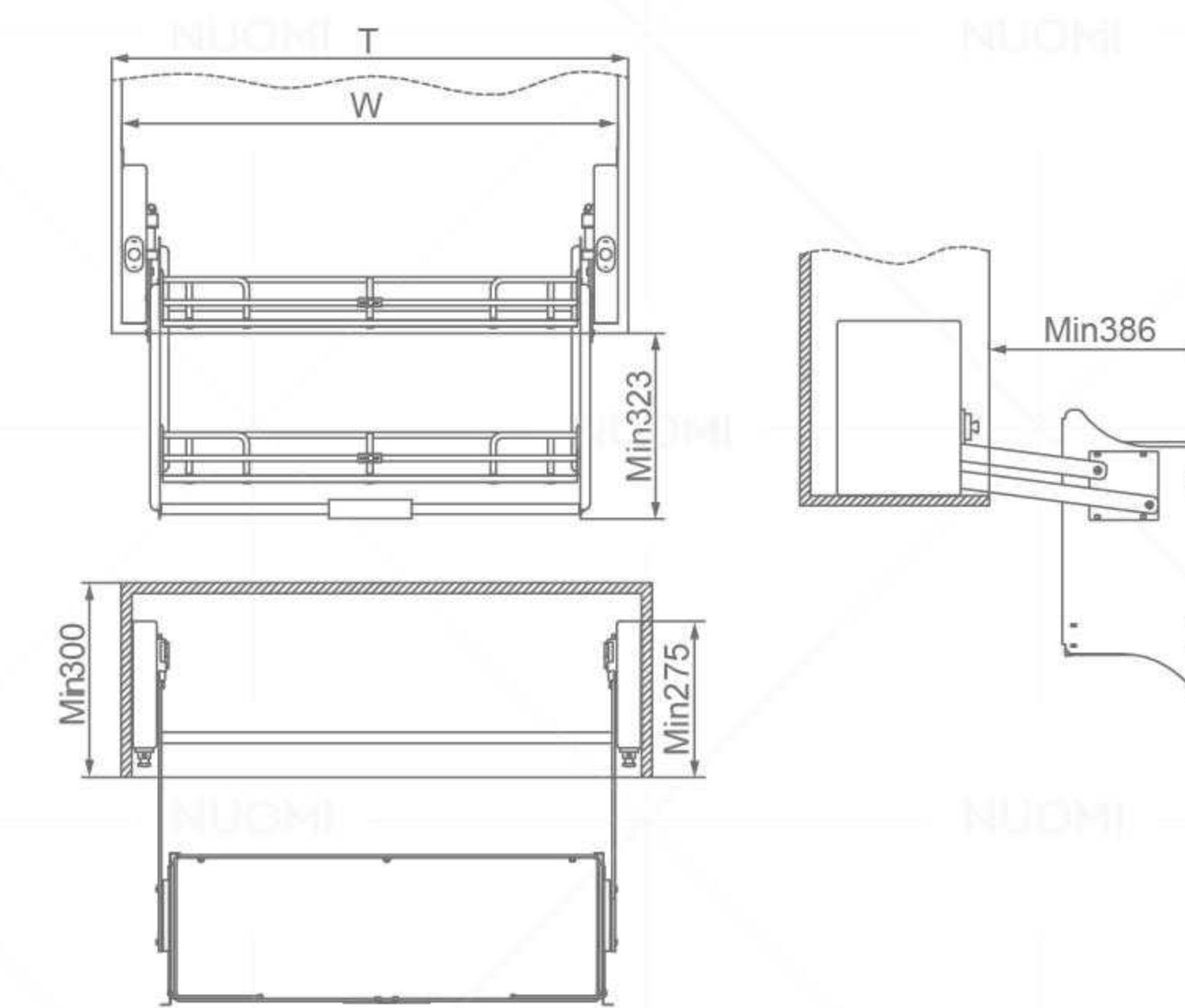




SOFT-CLOSE LIFTING UNIT 紫水晶双层空升降机



型号 Item No.	适用柜宽 (T) Cabinet width	宽度 x 深度 x 高度 Width x Depth x Height	材质 Material	表面 Surface	工艺 Process
4076001A	600mm	564x275x550mm	太空合金 + 钢化玻璃 / Aluminium + glass	太郎灰 / Highclass grey	水性氟碳喷涂 / Waterborne fluorocarbon spraying
4077001A	700mm	664x275x550mm	太空合金 + 钢化玻璃 / Aluminium + glass	太郎灰 / Highclass grey	水性氟碳喷涂 / Waterborne fluorocarbon spraying
4078001A	800mm	764x275x550mm	太空合金 + 钢化玻璃 / Aluminium + glass	太郎灰 / Highclass grey	水性氟碳喷涂 / Waterborne fluorocarbon spraying
4079001A	900mm	864x275x550mm	太空合金 + 钢化玻璃 / Aluminium + glass	太郎灰 / Highclass grey	水性氟碳喷涂 / Waterborne fluorocarbon spraying



# TERRAS

特拉斯系列





## Corner units Function and technology 功能与技术

### Function 功能

The storage can be divided according to cooking habits. The multifunctional storage can be changed flexibly based on personal habit. Easy to store, fetch and clean, ensure health. Neat kitchen storage, clear at a glance, convenient to fetch.

根据烹饪习惯，合理划分储物空间。多个功能收纳区，可按个人习惯，灵活变动储物空间。活动碗碟架，取放自如，更易清洁、保障卫生。厨房收纳整齐、一目了然、存放方便。

### Quality 品质

Basket is made of good quality stainless steel, which is pioneering wire drawing technology for the surface treatment, excellent texture, strongest corrosion resistant ability. Slide passes through European standard SGS80000 cycles test.

整个篮体优选优质不锈钢，表面经德国先进拉丝技术处理，质感卓越，抗锈能力强；导轨通过欧标 SGS80000 次运动测试。

### Design 设计

Standard with NUOMI soft-close slide, works smoothly and steady, silent and auto-close; Easily mounted with cabinet door, convenient for installation; Bottom adopts double layer structure of stainless steel panel and 5mm PVC board, which is national patent design, strengthens the load-bearing.

标配诺米阻尼导轨，开合顺滑流畅，静音自动复位；拉篮采用快装门板设计，安装简易、方便；底板采用专利带支撑板双层结构，不锈钢板结合 5mm 厚的 PVC 底板，承载力加强。

### Storage 储物

It is recommended to store different kinds of kitchenware, cooker, tableware, condiment according to different storage space.

建议根据不同区域储存各类厨房器皿、炊具、餐具、调味品等。

### Loading Capacity 承重

NUOMI soft-close slide, Max loading: 30KG

诺米阻尼导轨，可最大承重 30KG。



# CORNER UNITS

## 转角系统



Make full use of kitchen corner space, conveniently pull out inner articles.

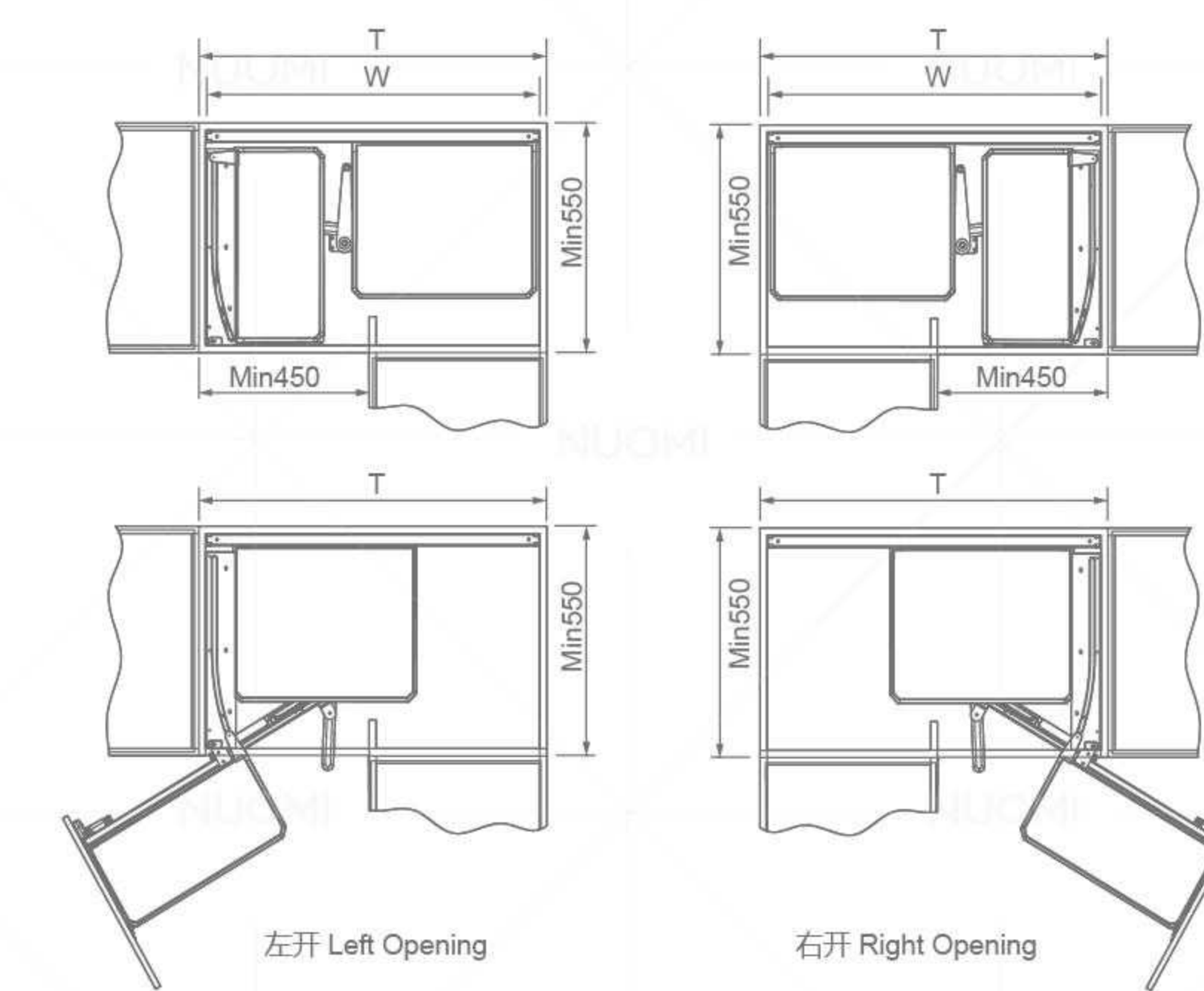
转角小怪物，充分利用厨房转角空间，实现所有物品拉出柜体，即便最里面的物件，也可轻松存取。



SOFT-CLOSE MAGIC CORNER 特拉斯小怪物



支架型号 Frame item No.	篮体型号 Basket item No.	适用柜宽 (T) Cabinet width	宽度 x 深度 x 高度 Width x Depth x Height	描述 Description
1010001B	1010010	900-1000mm	(860-960)x530x520mm	左开 /Left open
1010002B	1010010	900-1000mm	(860-960)x530x520mm	右开 /Right open



# TALL CABINET SYSTEM

## 高柜系统

The simplest luxurious product pursues the refined and concise design. Return to the true meaning of life, feel the warm experience and perfect enjoyment brought by the extreme pursuit, and experiencing the highest comfortable state of life.

极简奢华臻品，追求精炼简洁设计。回归生活本真，用心感受极致追求带来的温馨体验和完美享受，体验生活最高舒适状态。



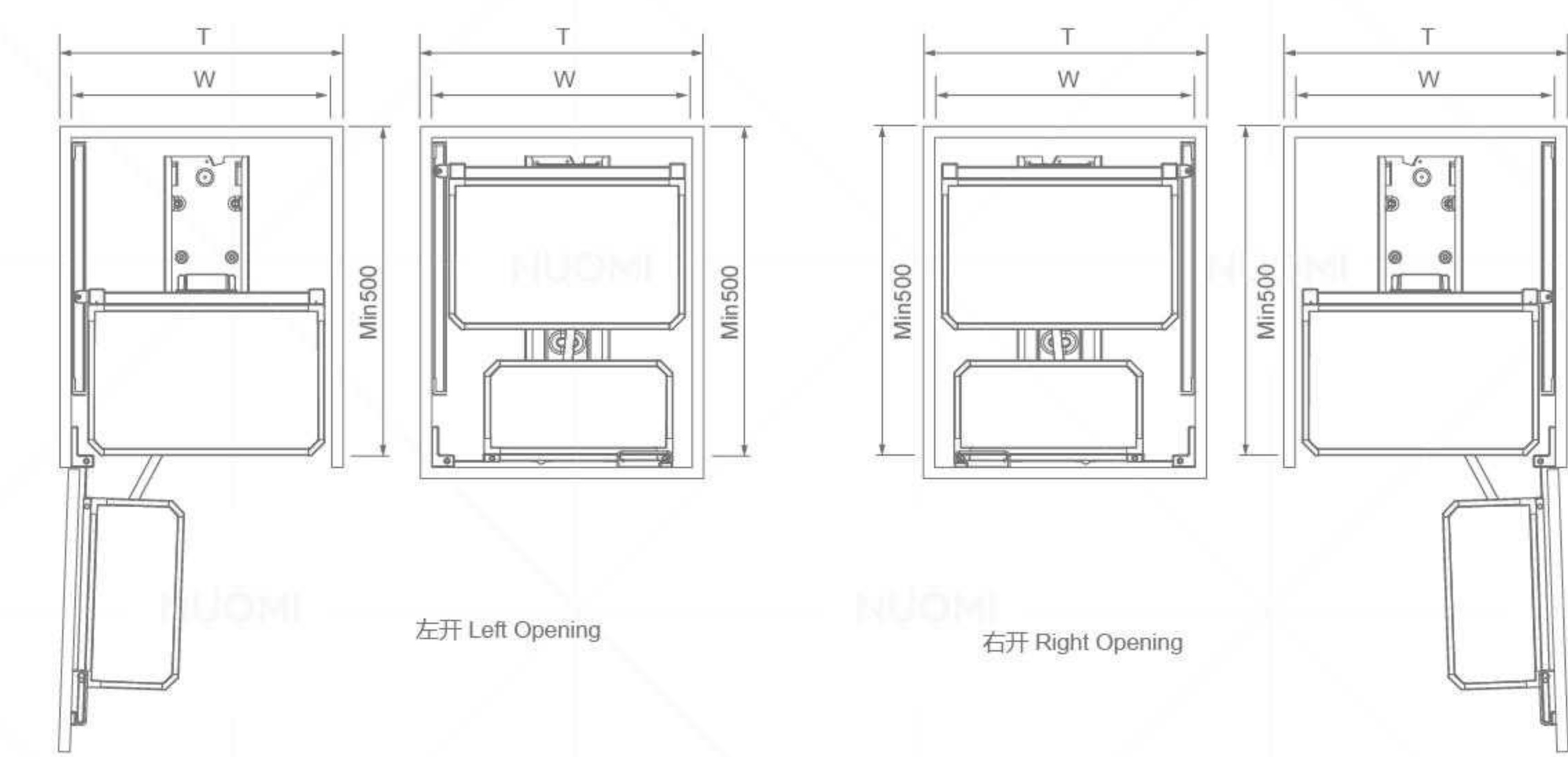




PANTRY ROLL-OUT 特拉斯大怪物



支架型号 Frame item No.	篮体型号 Basket item No.	适用柜宽 (T) Cabinet width	宽度 x 深度 x 高度 Width x Depth x Height	描述 Description
2020001B	2020011	450mm	405x500x(1180 以上 above)mm	4层/Tiers
2020002B	2020012	450mm	405x500x(1430 以上 above)mm	5层/Tiers
2020003B	2020013	450mm	405x500x(1780 以上 above)mm	6层/Tiers
2020004B	2020014	600mm	555x500x(1180 以上 above)mm	4层/Tiers
2020005B	2020015	600mm	555x500x(1430 以上 above)mm	5层/Tiers
2020006B	2020016	600mm	555x500x(1780 以上 above)mm	6层/Tiers

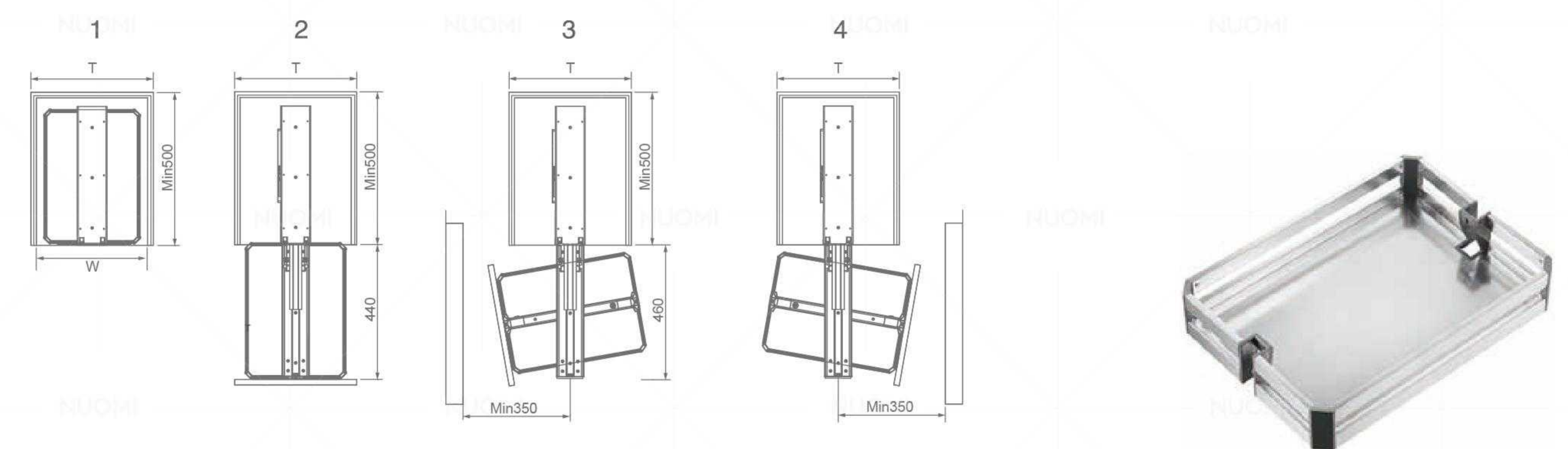




REVOLVING TALL UNIT 特拉斯阻尼旋转高身篮



支架型号 (180°旋转) Frame item No.(180° Revolving)	篮体型号 Basket item No.	导轨型号 Rail item No.	适用柜宽 (T) Cabinet width	宽度 x 深度 x 高度 Width x Depth x Height	描述 Description
2010001B	2010011	2010007B	300mm	240x480x(1180-1480)mm	4层 /Tiers
2010002B	2010012	2010007B	300mm	240x480x(1430-1730)mm	5层 /Tiers
2010003B	2010013	2010007B	300mm	240x480x(1780-2080)mm	6层 /Tiers
2010001B	2010014	2010008B	400mm	340x480x(1180-1480)mm	4层 /Tiers
2010002B	2010015	2010008B	400mm	340x480x(1430-1730)mm	5层 /Tiers
2010003B	2010016	2010008B	400mm	340x480x(1780-2080)mm	6层 /Tiers



180°旋转支架实现状态 /180° Revolving Tall Unit : 1、2、3、4

# BASE CABINET SYSTEM

## 地柜系统

The combination of elegance and practicality seeks a balance between function and aesthetics. The elegant, chic and concise modeling embodies an angular attitude of life, high-quality products and intimate design can have comfortable enjoyment.

高雅与实用的结合，在功能和美学之间寻求一种平衡，精巧别致的简洁造型体现了有棱有角的生活态度，优质的产品，贴心的设计，舒适尽享。

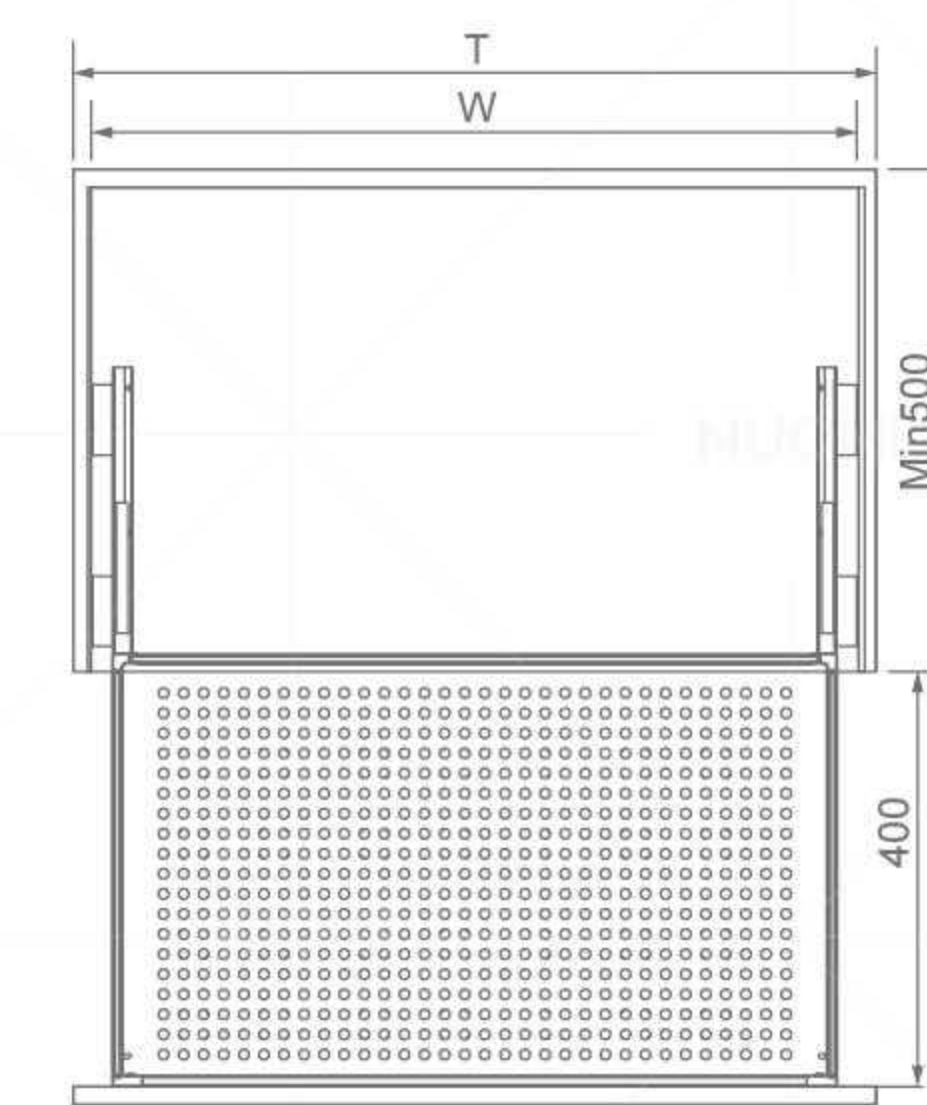




PULL-OUT BASKET 特拉斯炉头平篮

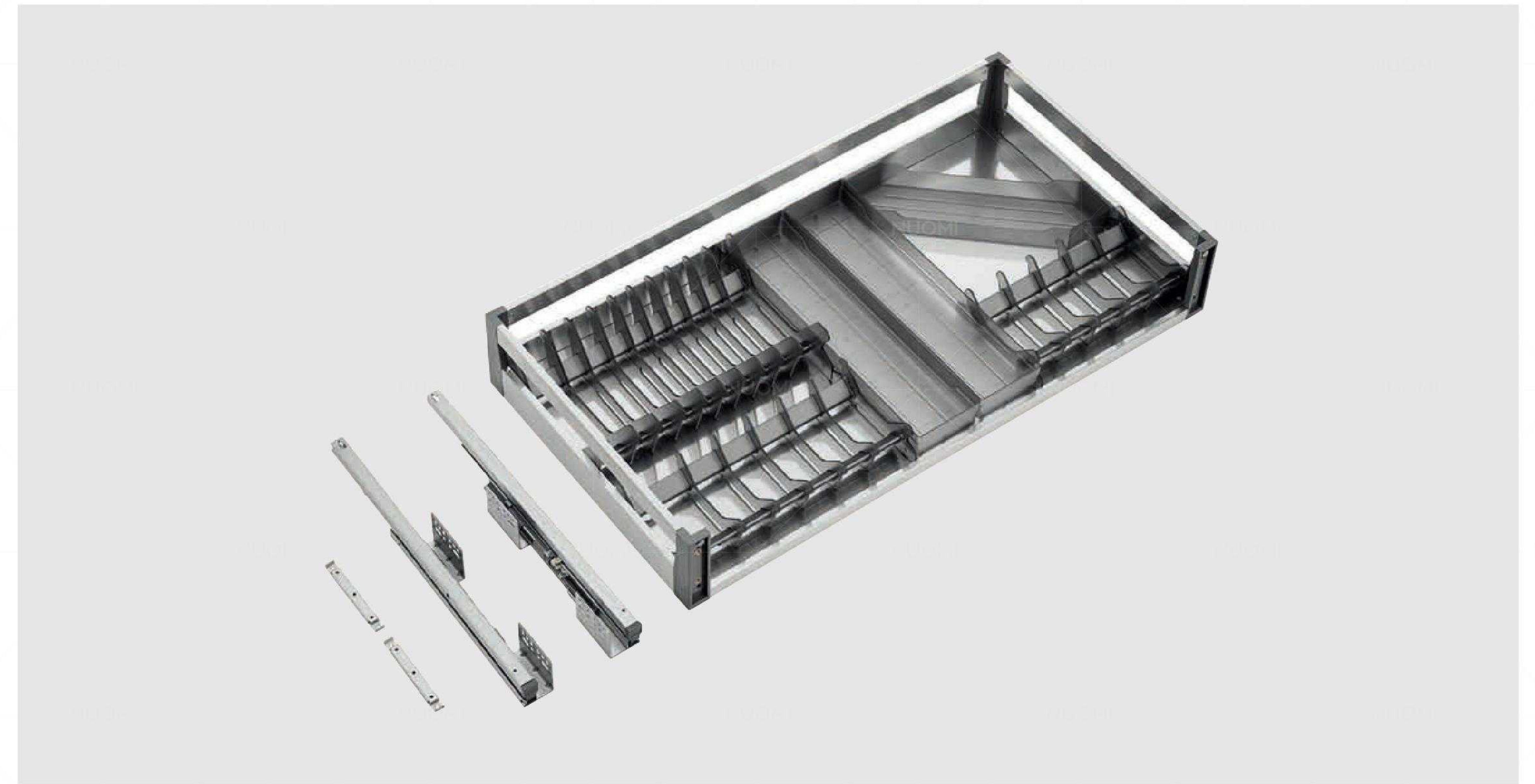


型号 Item No.	适用柜宽 (T) Cabinet width	宽度 x 深度 x 高度 Width x Depth x Height	材质 Material	表面 Surface	工艺 Process
3016001	600mm	564x450x170mm	不锈钢 /SUS201	拉丝 /Wire drawing	拉丝 /Wire drawing
3017001	700mm	664x450x170mm	不锈钢 /SUS201	拉丝 /Wire drawing	拉丝 /Wire drawing
3017201	720mm	684x450x170mm	不锈钢 /SUS201	拉丝 /Wire drawing	拉丝 /Wire drawing
3017501	750mm	714x450x170mm	不锈钢 /SUS201	拉丝 /Wire drawing	拉丝 /Wire drawing
3018001	800mm	764x450x170mm	不锈钢 /SUS201	拉丝 /Wire drawing	拉丝 /Wire drawing
3019001	900mm	864x450x170mm	不锈钢 /SUS201	拉丝 /Wire drawing	拉丝 /Wire drawing

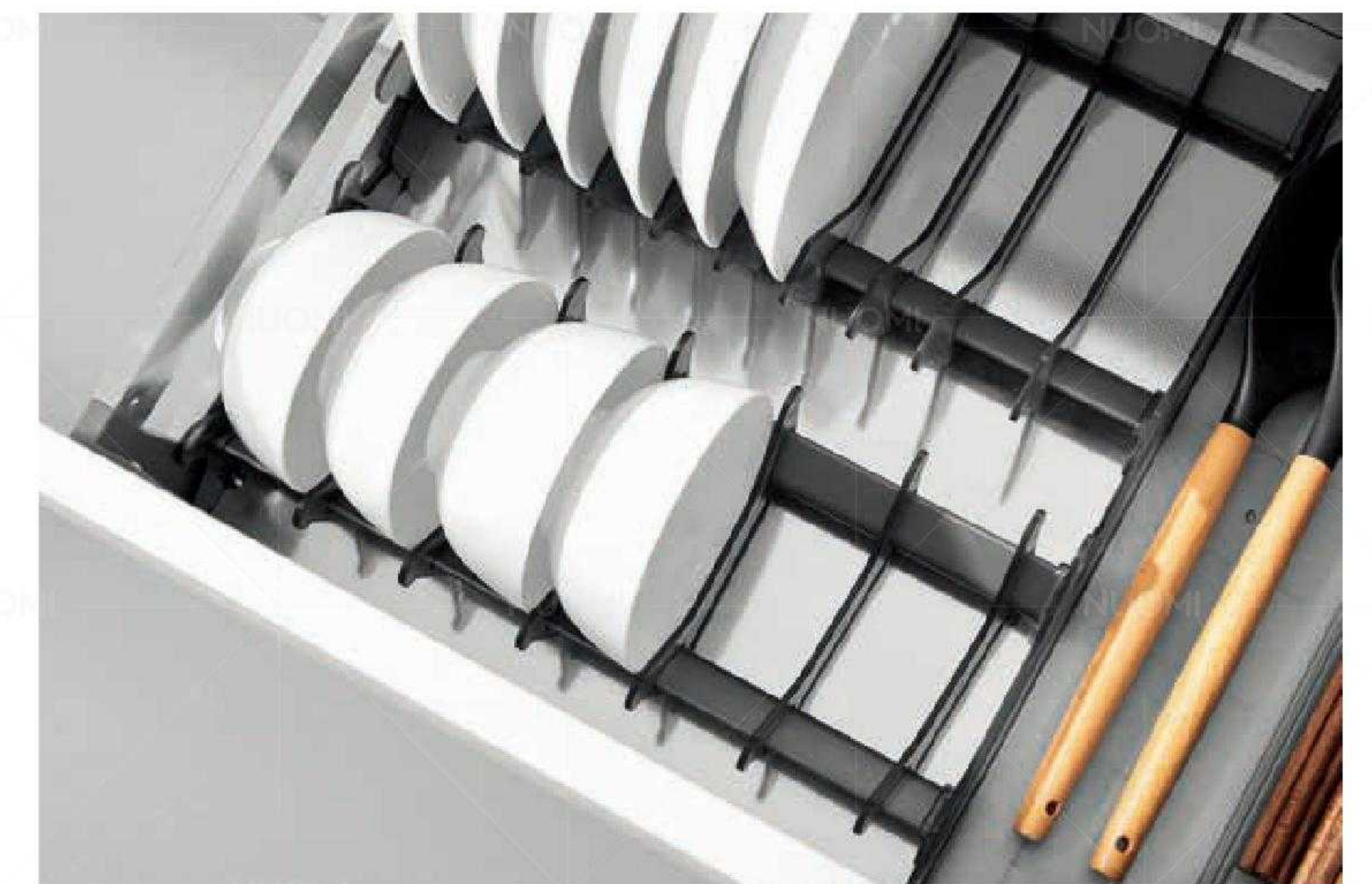
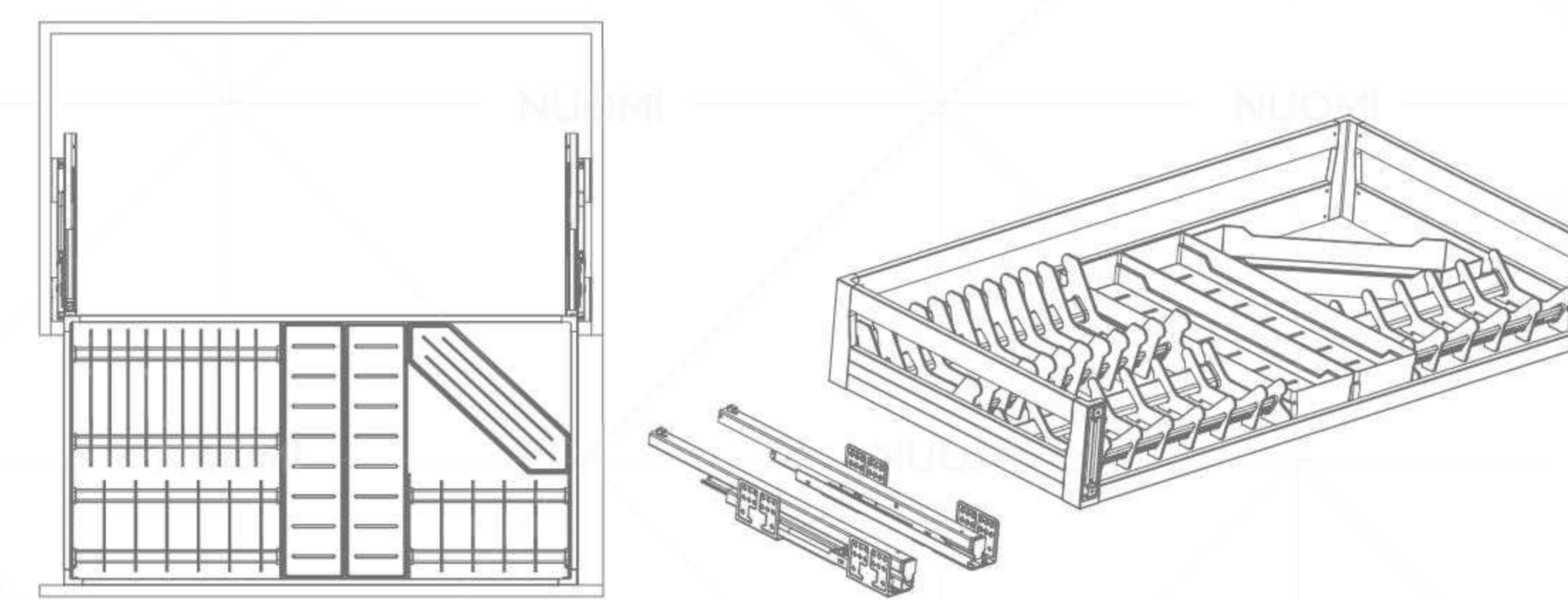




MULTIFUNCTIONAL PULL-OUT BASKET 特拉斯炉头碗碟篮



型号 Item No.	适用柜宽 (T) Cabinet width	宽度 x 深度 x 高度 Width x Depth x Height	材质 Material	表面 Surface	工艺 Process
3016002	600mm	564x450x170mm	不锈钢 /SUS201	拉丝 /Wire drawing	拉丝 /Wire drawing
3017002	700mm	664x450x170mm	不锈钢 /SUS201	拉丝 /Wire drawing	拉丝 /Wire drawing
3017202	720mm	684x450x170mm	不锈钢 /SUS201	拉丝 /Wire drawing	拉丝 /Wire drawing
3017502	750mm	714x450x170mm	不锈钢 /SUS201	拉丝 /Wire drawing	拉丝 /Wire drawing
3018002	800mm	764x450x170mm	不锈钢 /SUS201	拉丝 /Wire drawing	拉丝 /Wire drawing
3019002	900mm	864x450x170mm	不锈钢 /SUS201	拉丝 /Wire drawing	拉丝 /Wire drawing



# PULL-OUT BASKET FOR SEASONING

调味篮

Rich functions make kitchen life more elegant. Clean and efficient storage function, let you know all the items at a glance, easy and efficient meal preparation. Experience the highest comfort of life.

丰富的功能让厨房生活更优雅。整洁高效的收纳功能，让您对所有物品一目了然，轻松高效地备餐。体验生活的最高舒适状态。





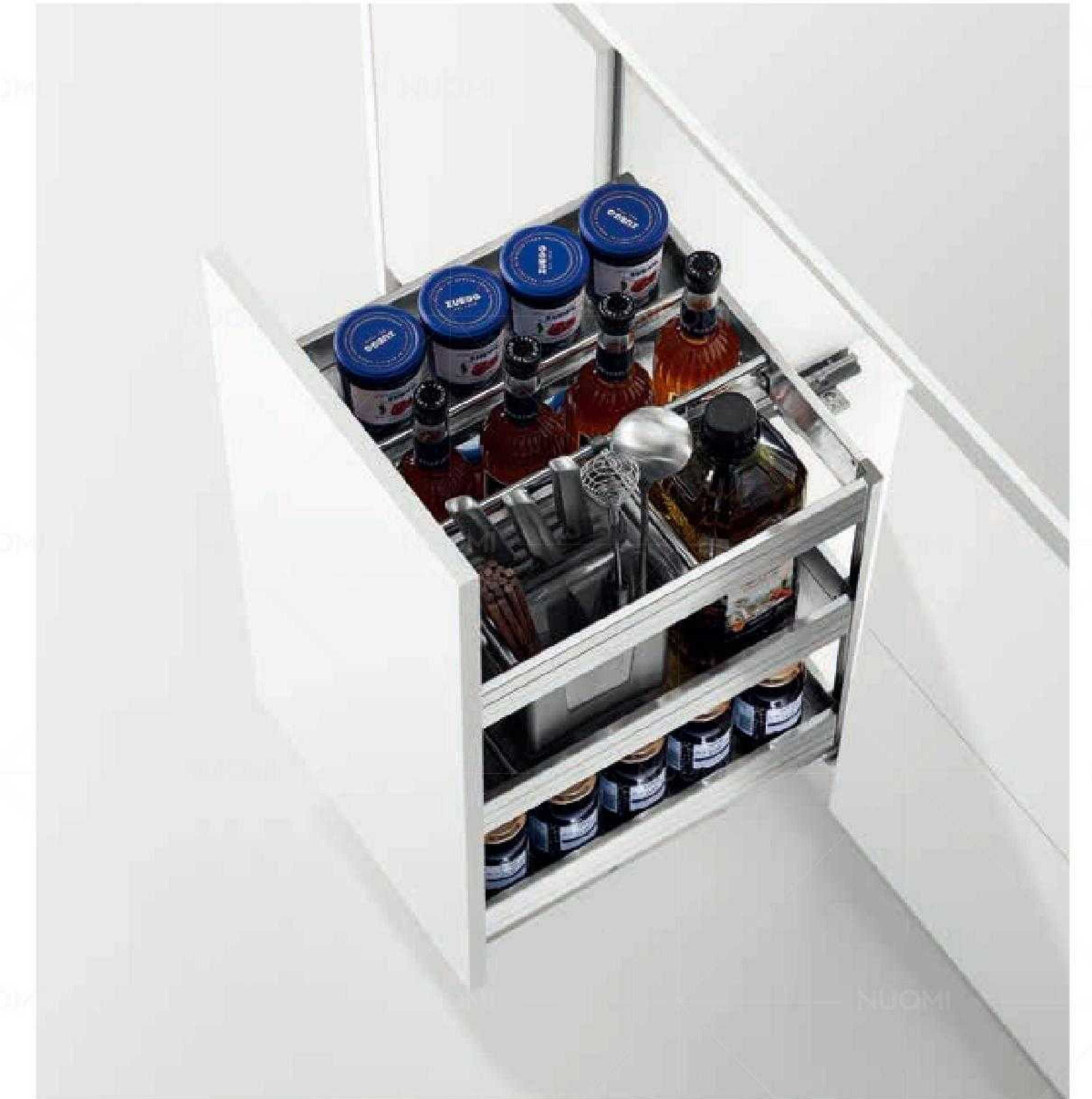
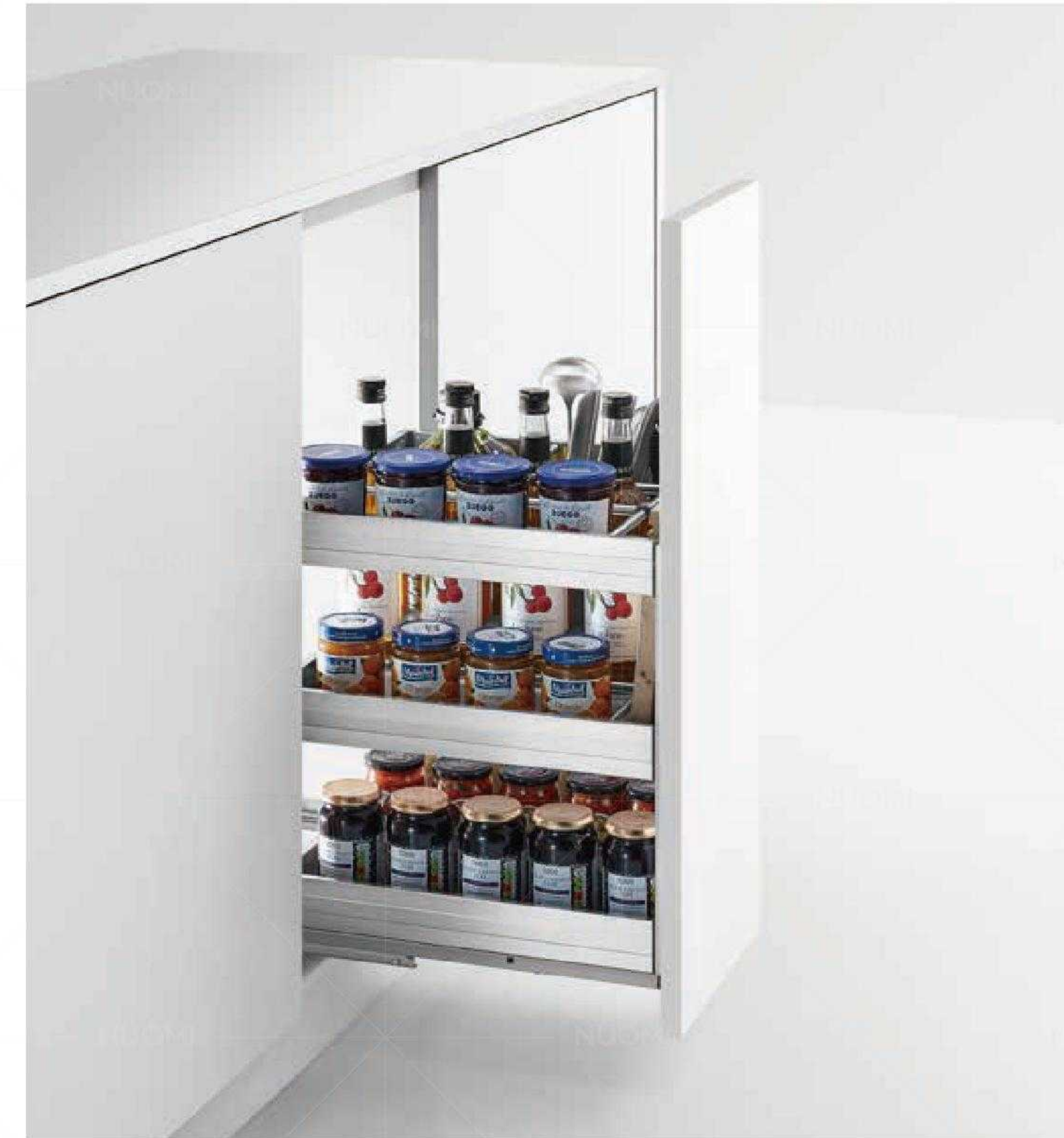
# SMOOTH MOVEMENT

Kitchen  
Functional  
Hardware

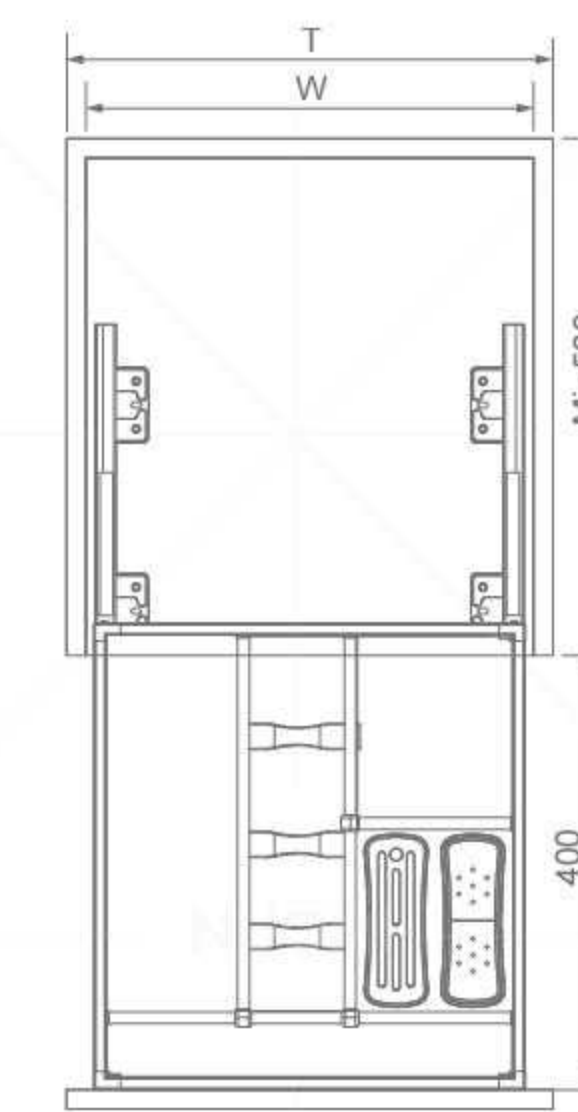




PULL-OUT BASKET FOR SEASONING 特拉斯调味篮

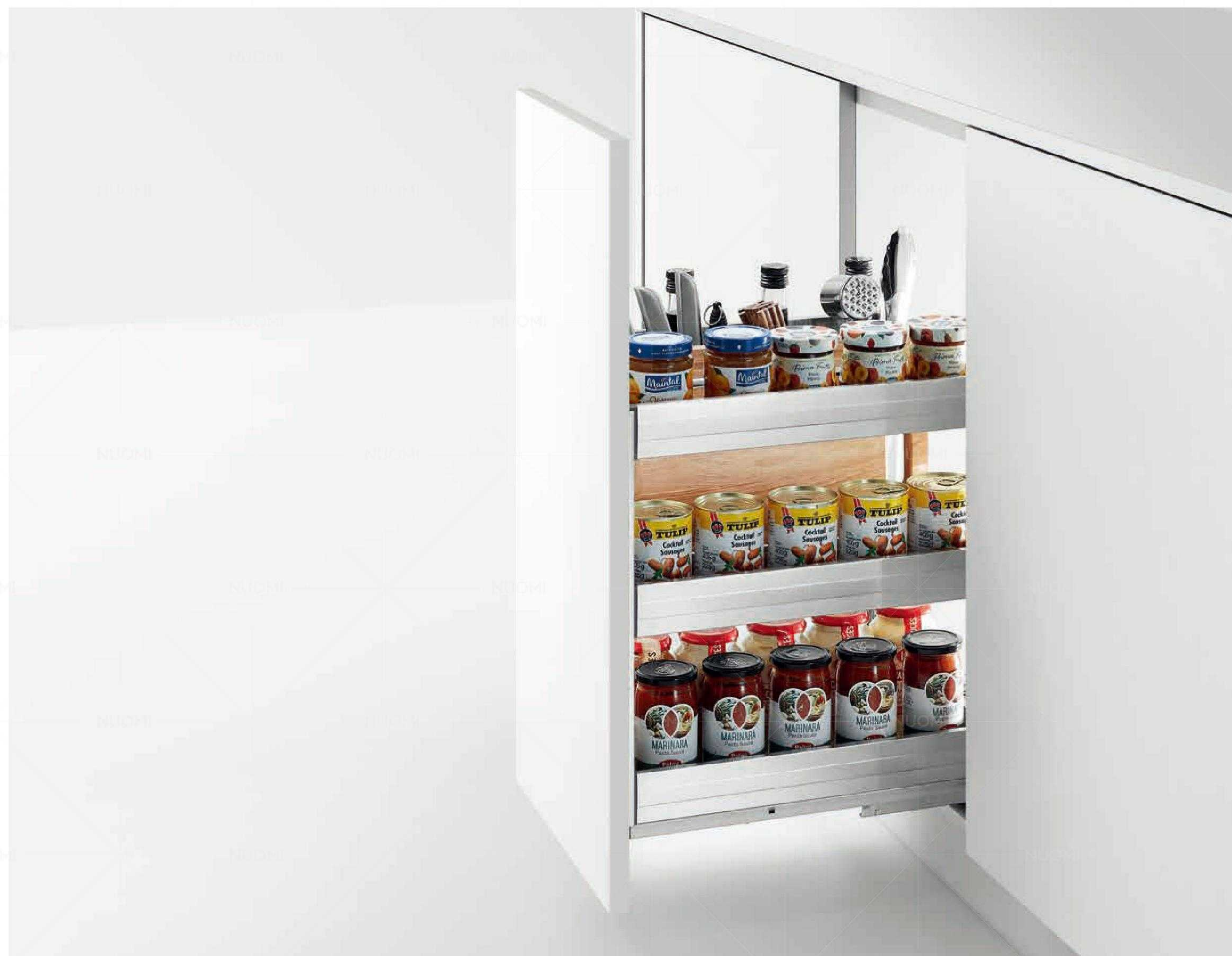


型号 Item No.	适用柜宽 (T) Cabinet width	宽度 x 深度 x 高度 Width x Depth x Height	材质 Material	表面 Surface	工艺 Process
3014501	450mm	400x450x490mm	不锈钢 /SUS201	拉丝 /Wire drawing	拉丝 /Wire drawing

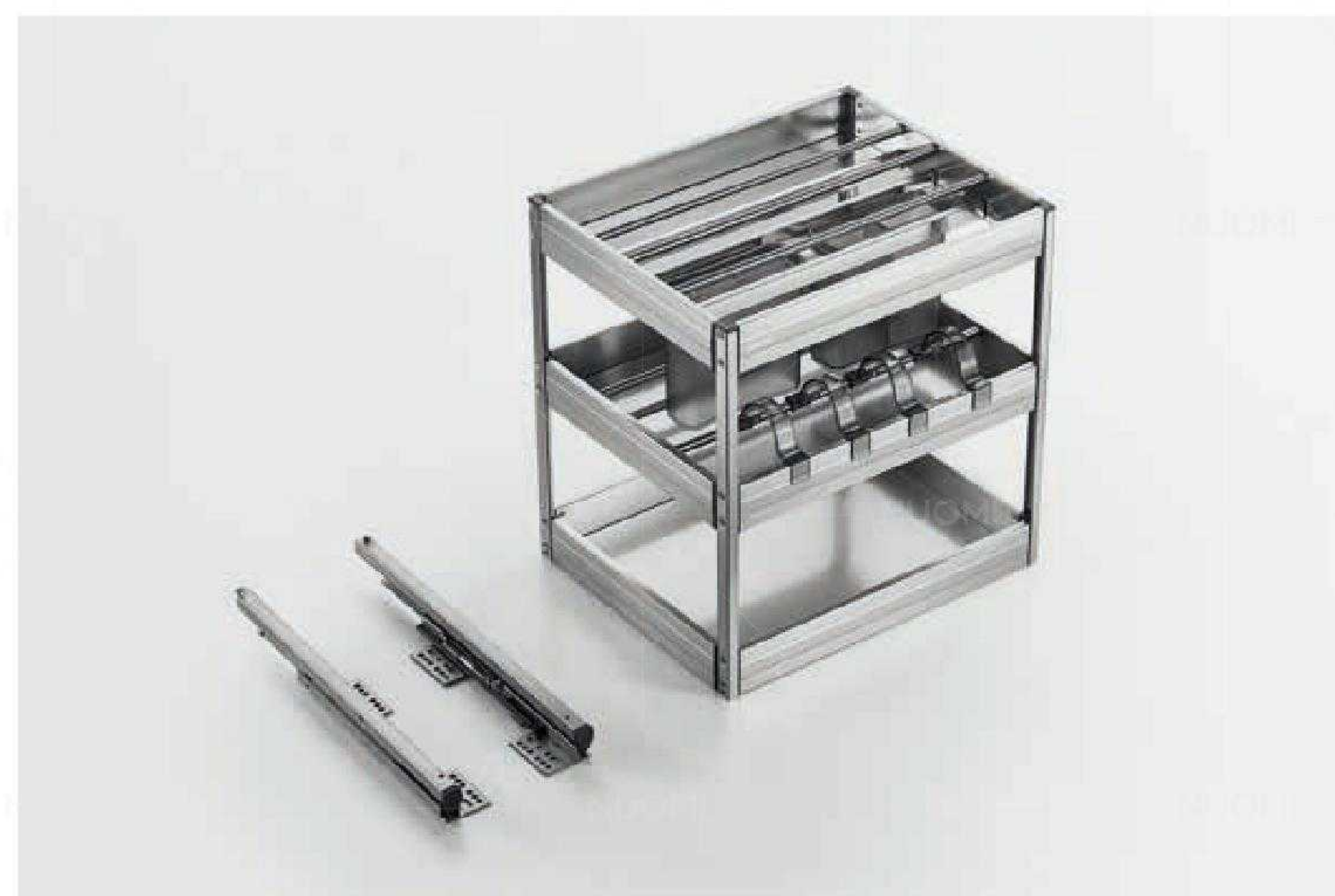
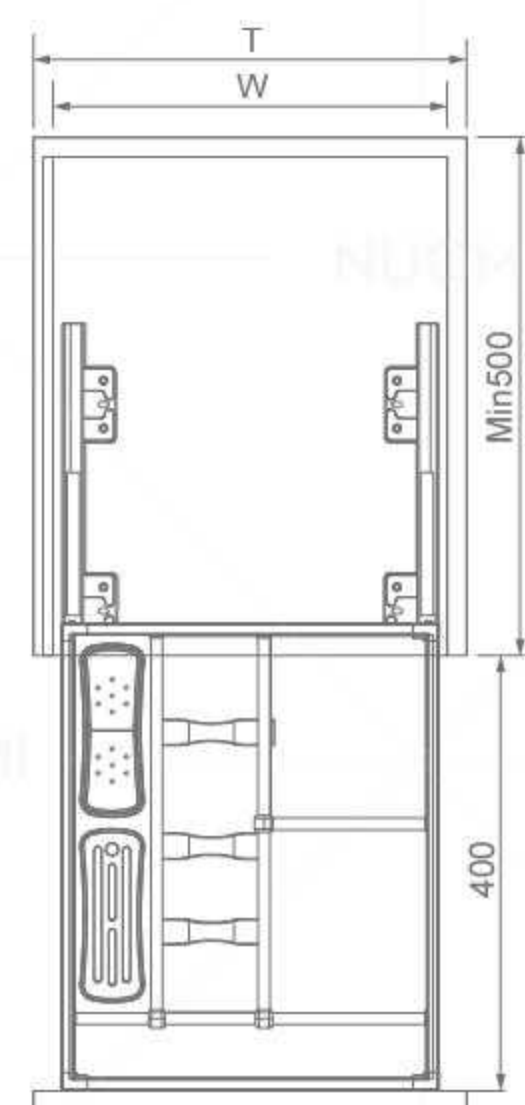




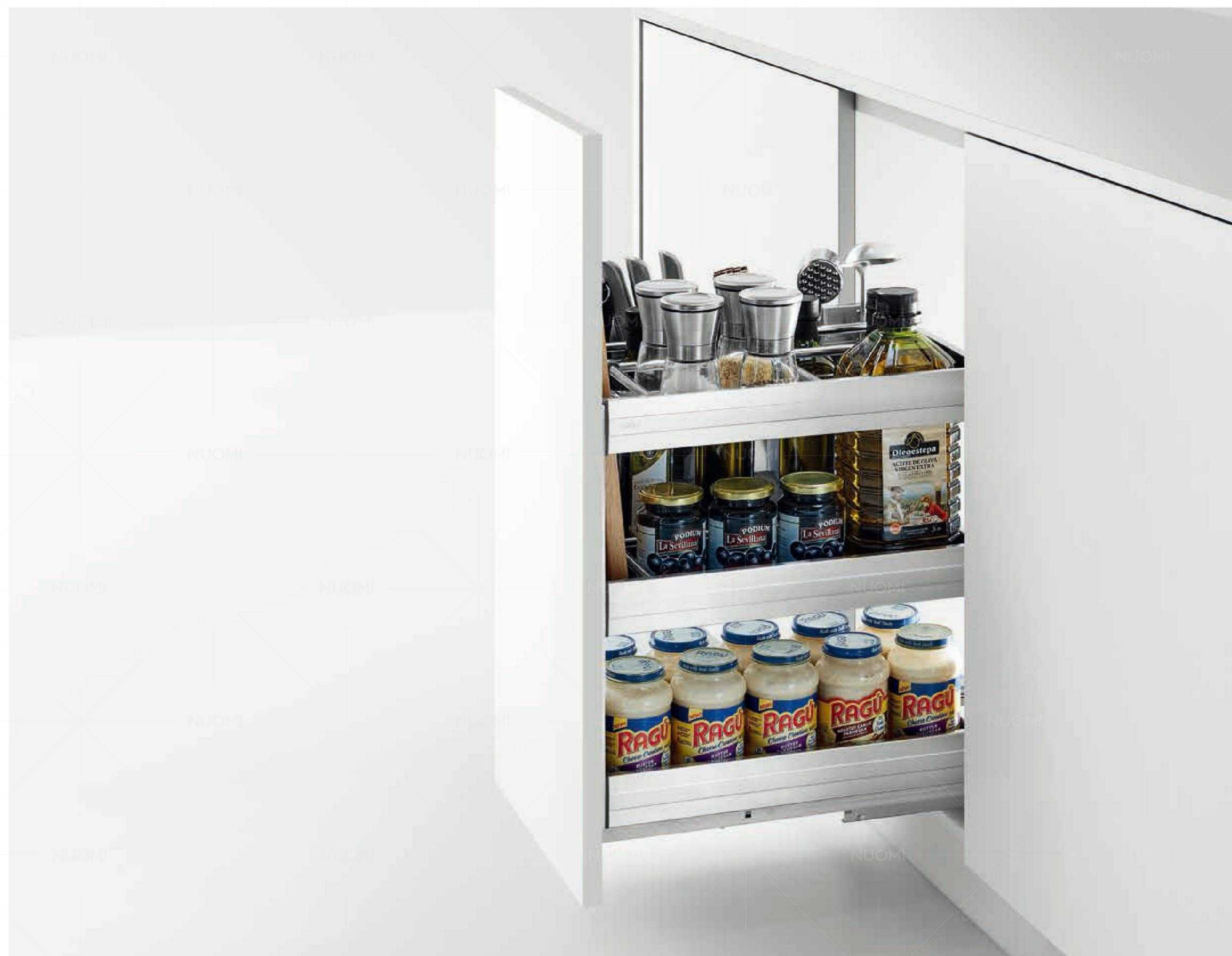
PULL-OUT BASKET FOR SEASONING 特拉斯调味篮



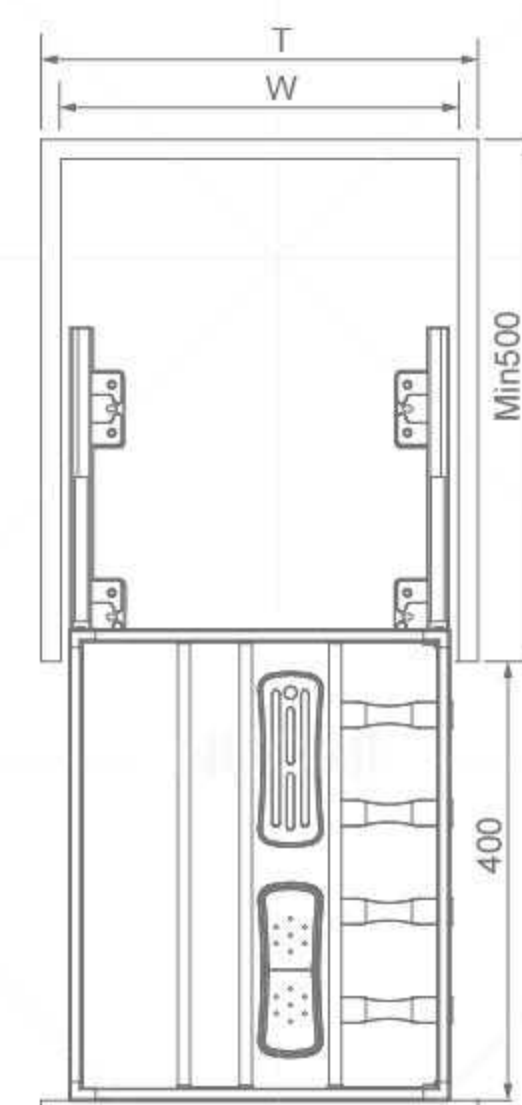
型号 Item No.	适用柜宽 (T) Cabinet width	宽度 x 深度 x 高度 Width x Depth x Height	材质 Material	表面 Surface	工艺 Process
3014001	400mm	350x450x490mm	不锈钢 /SUS201	拉丝 /Wire drawing	拉丝 /Wire drawing



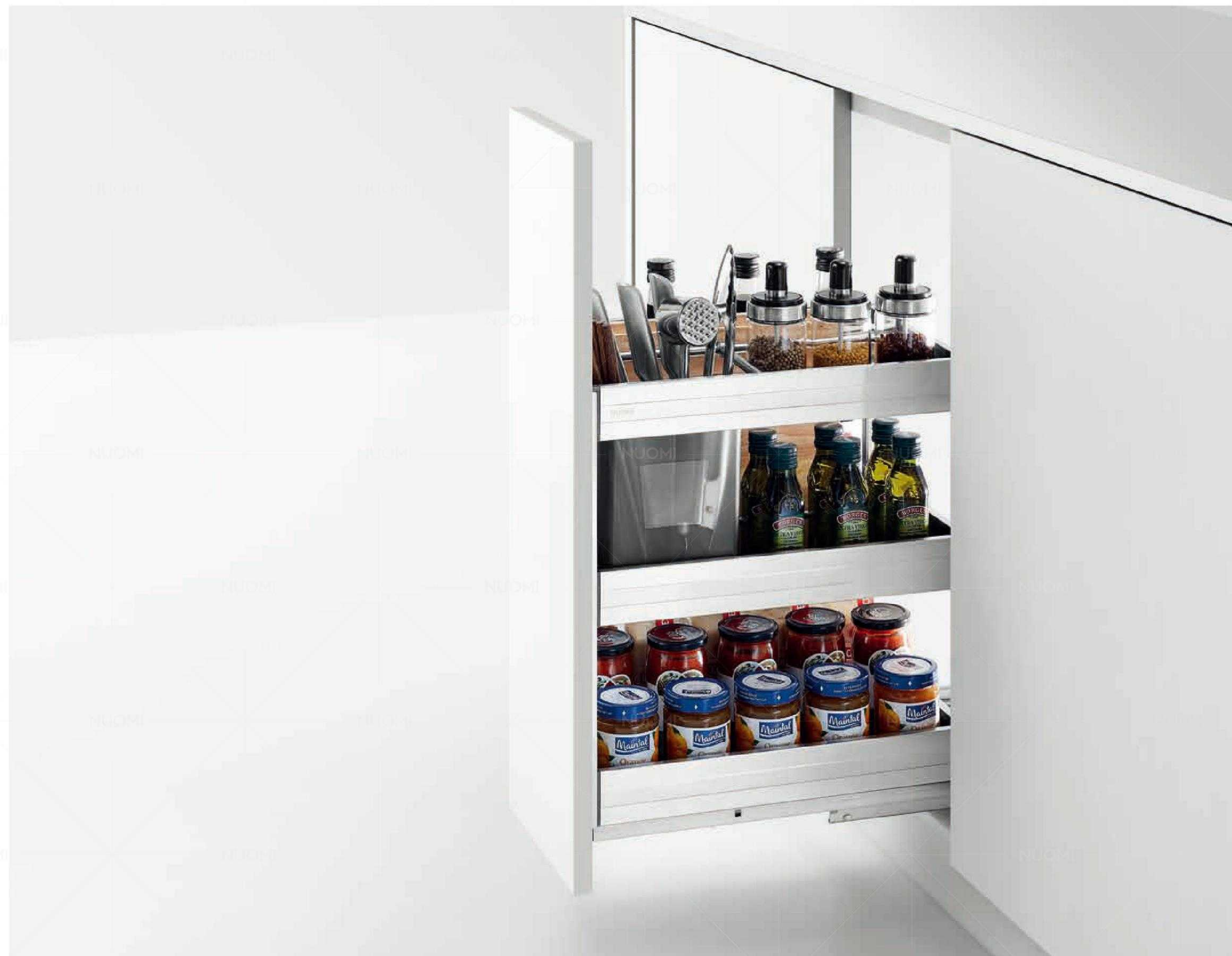
PULL-OUT BASKET FOR SEASONING 特拉斯调味篮



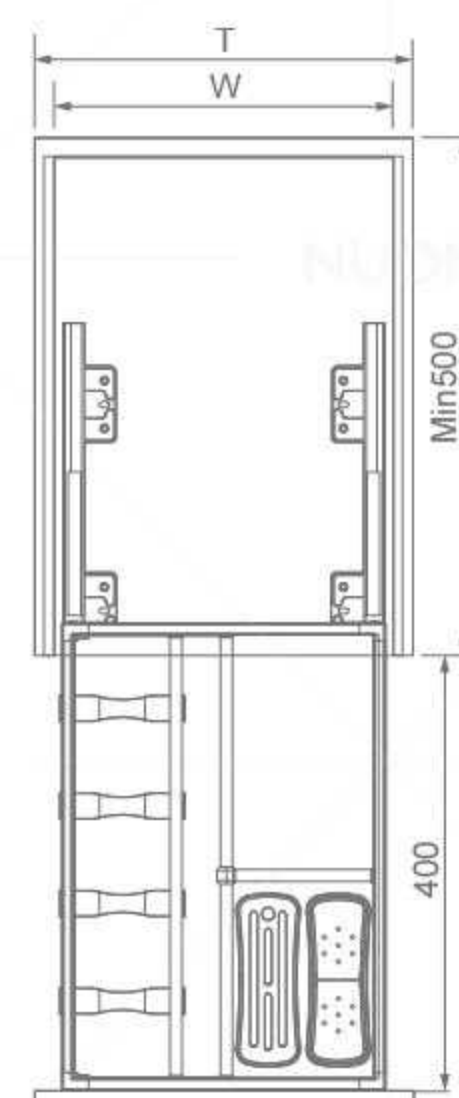
型号 Item No.	适用柜宽 (T) Cabinet width	宽度 x 深度 x 高度 Width x Depth x Height	材质 Material	表面 Surface	工艺 Process
3014002	400mm	350x450x490mm	不锈钢 /SUS201	拉丝 /Wire drawing	拉丝 /Wire drawing



PULL-OUT BASKET FOR SEASONING 特拉斯调味篮



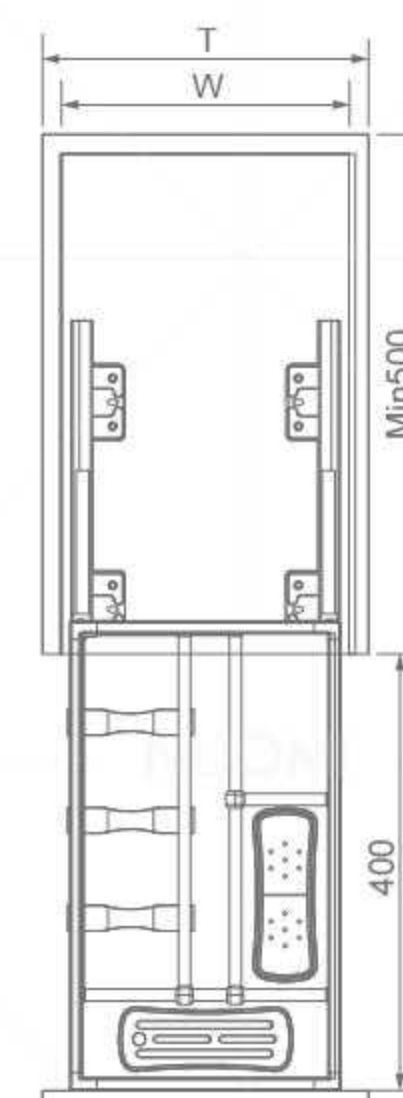
型号 Item No.	适用柜宽 (T) Cabinet width	宽度 x 深度 x 高度 Width x Depth x Height	材质 Material	表面 Surface	工艺 Process
3013501	350mm	300x450x490mm	不锈钢 /SUS201	拉丝 /Wire drawing	拉丝 /Wire drawing



PULL-OUT BASKET FOR SEASONING 特拉斯调味篮



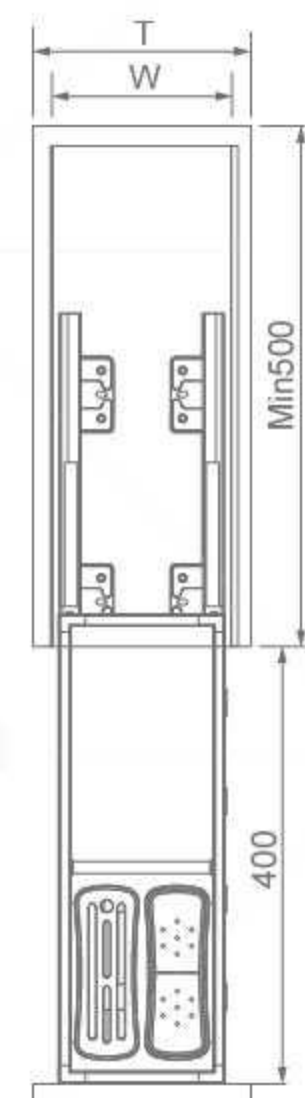
型号 Item No.	适用柜宽 (T) Cabinet width	宽度 x 深度 x 高度 Width x Depth x Height	材质 Material	表面 Surface	工艺 Process
3013002	300mm	250x450x490mm	不锈钢 /SUS201	拉丝 /Wire drawing	拉丝 /Wire drawing



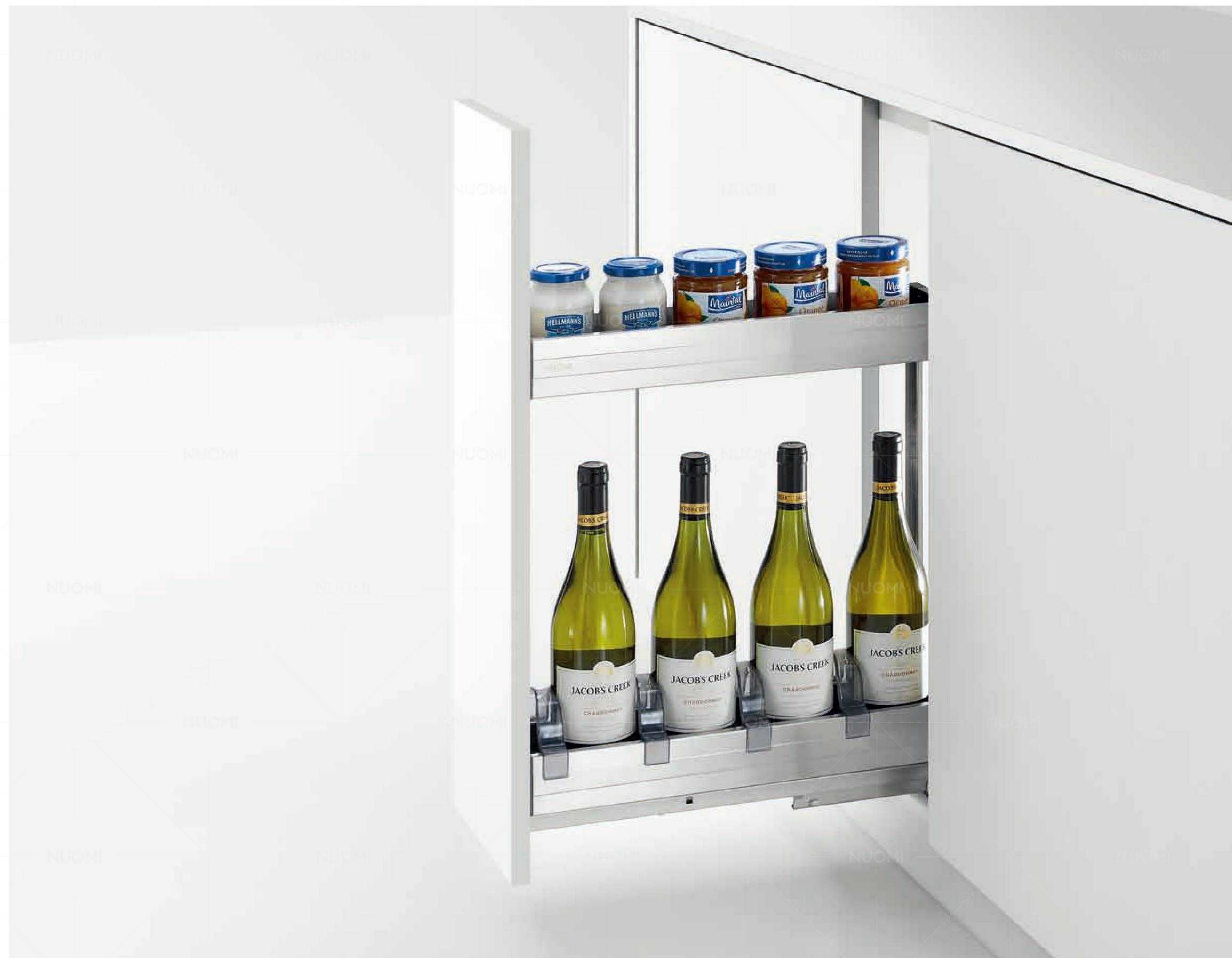
NARROW PULL-OUT BASKET 特拉斯窄边篮



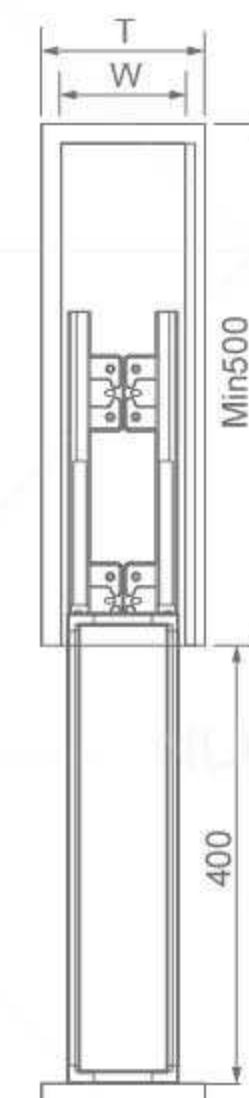
型号 Item No.	适用柜宽 (T) Cabinet width	宽度 x 深度 x 高度 Width x Depth x Height	材质 Material	表面 Surface	工艺 Process
3012001	200mm	155x450x490mm	不锈钢/SUS201	拉丝/Wire drawing	拉丝/Wire drawing



NARROW PULL-OUT BASKET 特拉斯窄边篮



型号 Item No.	适用柜宽 (T) Cabinet width	宽度 x 深度 x 高度 Width x Depth x Height	材质 Material	表面 Surface	工艺 Process
3011501	150mm	105x450x490mm	不锈钢/SUS201	拉丝/Wire drawing	拉丝/Wire drawing

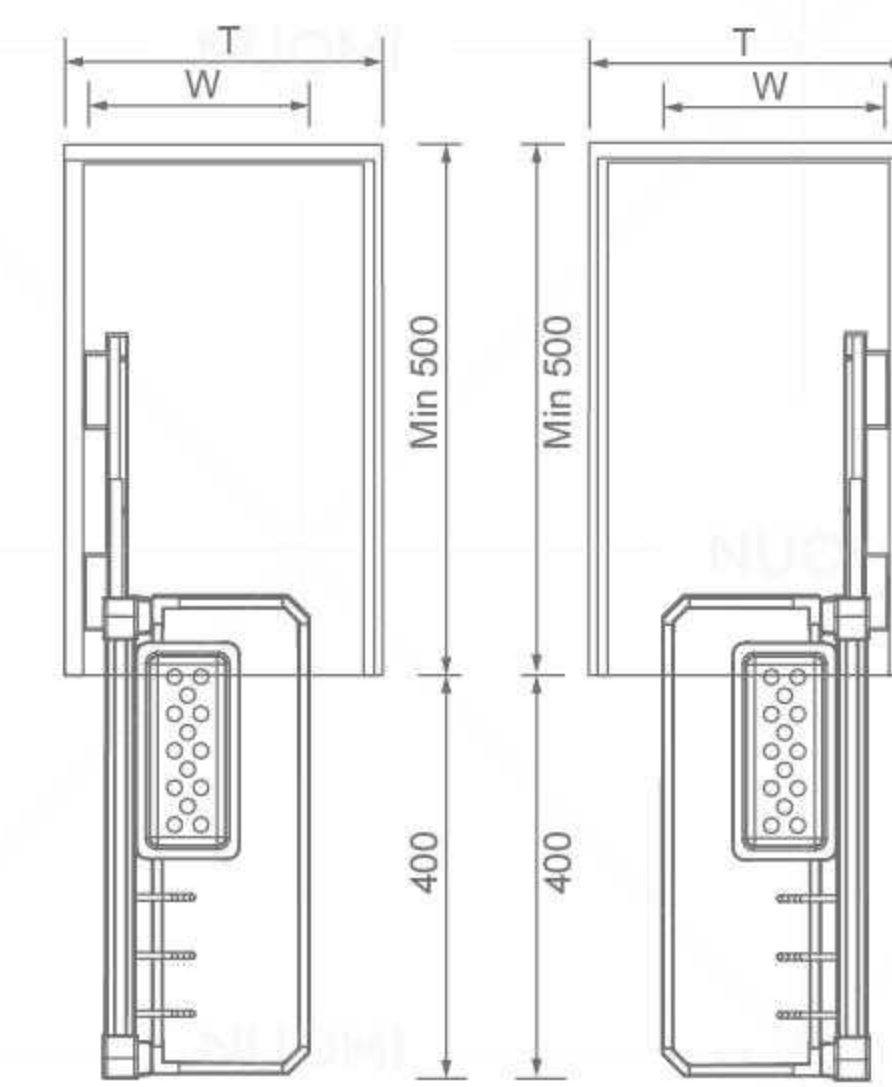




SIDE-MOUNTED BASKET UNDER SINK 特拉斯侧装水槽篮 (批量定制)



型号 Item No.	适用柜宽 (T) Cabinet width	宽度 x 深度 x 高度 Width x Depth x Height	材质 Material	表面 Surface	工艺 Process
3012004	--	215x460x450mm	不锈钢 /SUS201	拉丝 /Wire drawing	拉丝 /Wire drawing



左开 Left Opening 右开 Right Opening

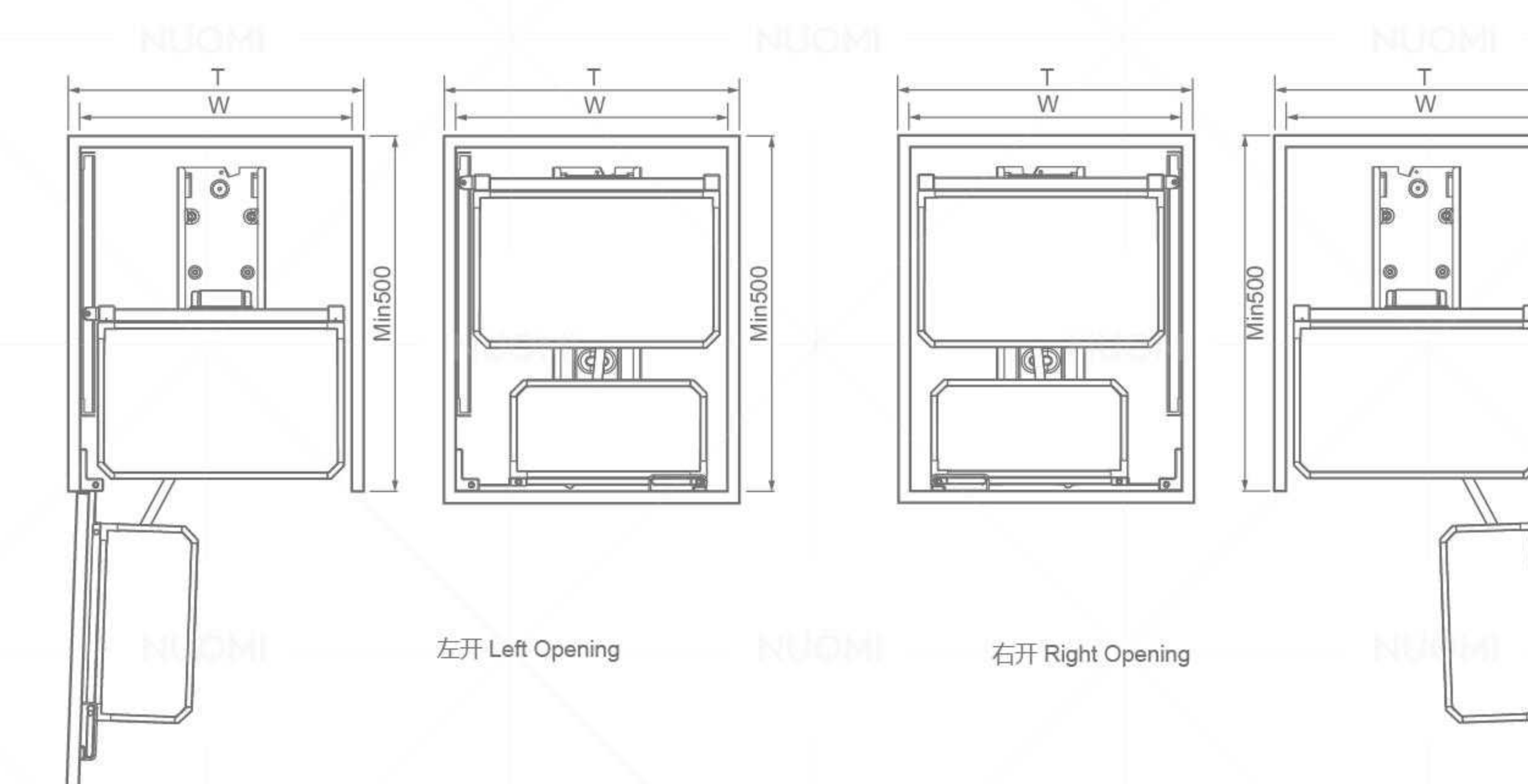




SIDE-MOUNTED BASKET UNDER SINK 特拉斯地柜联动篮



支架型号 Frame item No.	篮体型号 Basket item No.	适用柜宽 (T) Cabinet width	宽度 x 深度 x 高度 Width x Depth x Height	描述 Description
2020007B	2020017	450mm	405x500x(600 以上 above)mm	左右共用 /Universal for left & right
2020008B	2020018	600mm	555x500x(600 以上 above)mm	左右共用 /Universal for left & right



# CHAMPAGNE ROSE

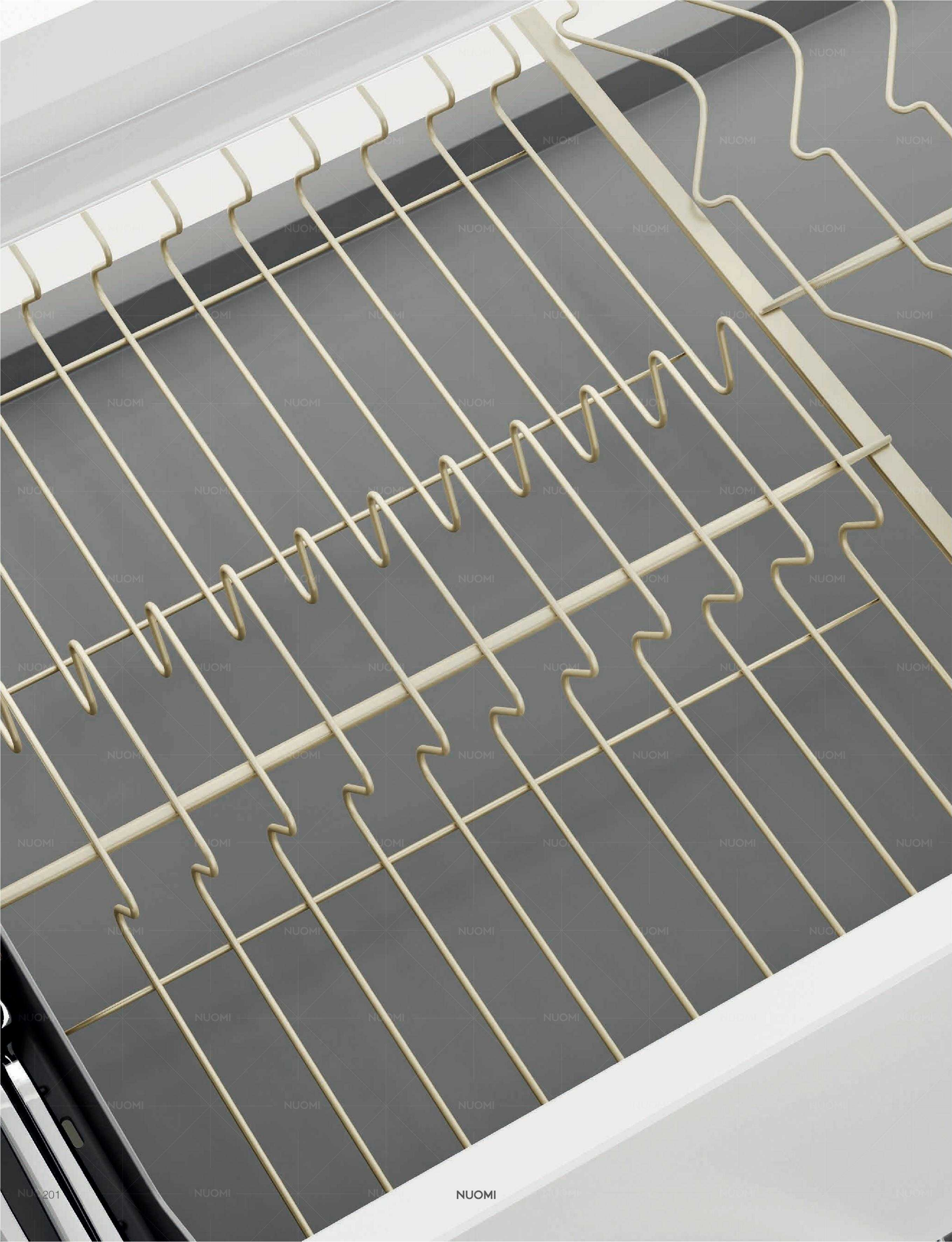
香槟玫瑰系列



诺米「香槟玫瑰」系列橱柜拉篮  
工艺颜值再升级

线框结构重组有序区隔餐具收纳  
高端选材铸造耐用品质  
从局部到整体，灵动演绎厨房收纳美学

Wireframe structure reorganization and orderly partition tableware storage  
High-end material casting durable quality  
From part to whole, smart interpretation of kitchen storage aesthetics



## Corner units Function and technology 功能与技术

### Function 功能

Store all kinds of kitchen utensils, kitchenware, condiments, cleaning articles etc. Make the kitchen clean and orderliness, clear at a glance, conveniently putting and taking items.

根据不同品种储存各类厨房器皿、用具、调味品、清洁用品等，厨房收纳整齐、一目了然、存放方便。

### Quality 品质

Basket is made of superior steel with European style 4-layer nanometer dry plating, passes SGS salt spray test over 168 hours, never corrosion; Slide passes through European standard SGS80000 cycles test.

篮体采用优质钢材，表面经过欧标抗菌纳米干镀四层防护处理，能通过168小时盐雾测试，久量如新；导轨通过欧标SGS80000次运动测试。

### Design 设计

Standard with German soft-close slide, works smoothly and steady, silent and auto-close; Easily amounted with cabinet door, convenient for installation; European super wide flat wire, with water drop plastic tray, easily cleaning.

标配德国阻尼导轨，开合顺滑流畅，静音自动复位；拉篮采用快装门板设计，安装简易、方便；标志性极窄超宽扁铁飞驰造型，配接水盘，清洗方便。

### Storage 储物

It is recommended to store different kinds of kitchenware, cooker, tableware, condiment according to different storage space.

建议根据不同区域储存各类厨房器皿、炊具、餐具、调味品等。

### Loading Capacity 承重

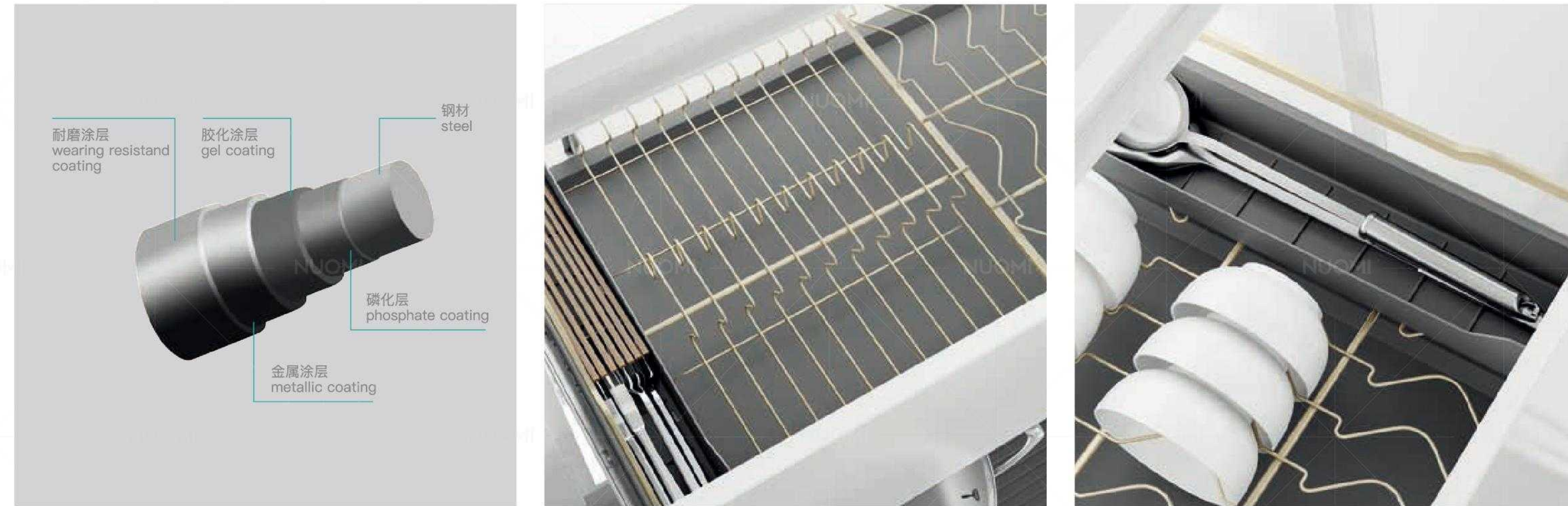
Germany Brand HURMAR soft-close synchronous slide, Max loading: 35KG

德国品牌赫马阻尼缓冲同步导轨，可最大承重35KG。



## Corner units Function and technology 核心亮点

提供品质生活体验



### 诺米首创抗菌纳米干镀工艺 实力出圈

New nano dry-plated matte champagne gold color iteration (Matte Champagne Gold)  
Fine texture and matte texture add elegant elements to the kitchen space;

4 layers of antibacterial nano-dry plating protection, effectively preventing bacterial growth and secondary pollution of tableware;  
Comprehensively improve the cleanliness of the cabinet system, anti-corrosion and anti-rust,  
Start the first step of home health protection;

Ten-level corrosion-resistant coating, 168h neutral salt spray test, bright as new for a long time;  
No fear of wet environment, anti-corrosion and anti-scratch, creating the same high quality inside and outside.

全新纳米干镀哑光香槟金颜色迭代  
(Matte Champagne Gold)  
细腻纹理和哑光质感, 为厨房空间增添优雅元素;

4层抗菌纳米干镀防护, 有效防止细菌滋生及餐具二次污染;  
全面提升橱柜系统的洁净度, 防腐防锈,  
开启家居健康守护第一步;

十级耐腐蚀镀层, 168h 中性盐雾测试, 久亮如新;  
无惧潮湿环境, 防腐防刮, 造就表里如一高品质。

### 颠覆性线框结构重组 容量翻倍

The new one-piece connection design, the basket structure is reorganized and the dishes are clearly divided;  
The dish area is sunken for storage, and the dish rack is designed with a wave pattern, which doubles the capacity of the whole line when it becomes straight;

Iconic ultra-narrow and ultra-wide flat iron speeding shape;  
High-level sense of hierarchy, full recognition.

全新一体式连线设计, 篮体结构重组碗碟区分明;  
碟区下沉式收纳, 碗架波浪纹设计, 大碗小碗均可安置,  
适用范围更广;

标志性极窄超宽扁线飞驰造型;  
高级层次感, 辨识度拉满。

### 标配 2 个灵动独立收纳盒 细节入微

Separate storage boxes for tableware are added on both sides, which is suitable for storing various tableware, making it more convenient to take;  
at the same time, making full use of the storage space at the side of the basket body, the capacity is better;

The box body is made of food-grade ABS material, which is environmentally friendly and non-toxic, and protects the health of the family;  
Small and slightly sloped design, ventilation and moisture-proof to keep the basket dry.

两侧新增餐具独立收纳盒, 适配各种餐具收纳, 拿取更方便;  
同时充分利用篮体边位收纳空间, 容量更出色;

盒体精选食品级 ABS 材质, 环保无毒, 呵护家人健康;  
细小微坡设计, 通风防潮保持篮体干爽。

## Corner units Function and technology 核心亮点

提供品质生活体验



### 锅具篮全覆盖式承托盘 美观防滑

Upgraded full-coverage folded dark gray tray, environmentally friendly non-slip material design;  
The pull-out basket does not slide and has no noise pollution. It is convenient to install, beautiful and easy to clean in one step;

Intuitive and visualized large flat layer design;  
Large and small kitchen utensils/small appliances, flexible storage and storage.

升级全覆盖式折边深灰承托盘, 环保防滑材质设计;  
抽拉篮体不滑动无噪音污染, 安装便捷、美观易洁一步到位;

直观可视化大平层设计;  
大小规格厨具/小家电, 收纳取放灵活自如。

### 新升级德国赫马同步阻尼滑轨 静音顺畅

The hidden three-section rail is fully pulled out, so that the space inside the cabinet can be seen at a glance, quick access to objects;  
The movement is synchronized and slides smoothly, and the sinking amount is controlled within 4% of the length of the guide rail;

The guide rail plate is made of galvanized steel to ensure its strength, and it can carry a dynamic load of 35kg.  
The ultimate load is still open and close smoothly;  
European standard 80,000 times of opening and closing tests, the service life is more guaranteed.

隐藏式三节轨全拉出设计, 柜内空间一览无遗,  
快速拿取物件;  
运动同步顺畅滑行, 下沉量控制在导轨长度 4% 以内;

导轨板材镀锌钢板保证强度, 可动态负重 35kg,  
极限载重依然开合顺畅;  
欧标 80000 次开合测试, 使用寿命更有保障。

### 调味篮体造型升级 更高颜

Upgraded shape, beyond the traditional 300/350/400/450 basket design  
The overall vision is more layered and more colorful

造型升级, 超越传统 300/350/400/450 柜篮体设计  
整体视觉更显层次更高颜



# CORNER UNITS

## 转角系统

180° ROTARY SHELF

180° 转盘



Let corner space reflect its charm fully, satisfy comfortable, practical, aesthetic 3 respects pursue, present an decorous, neat kitchen space for you.

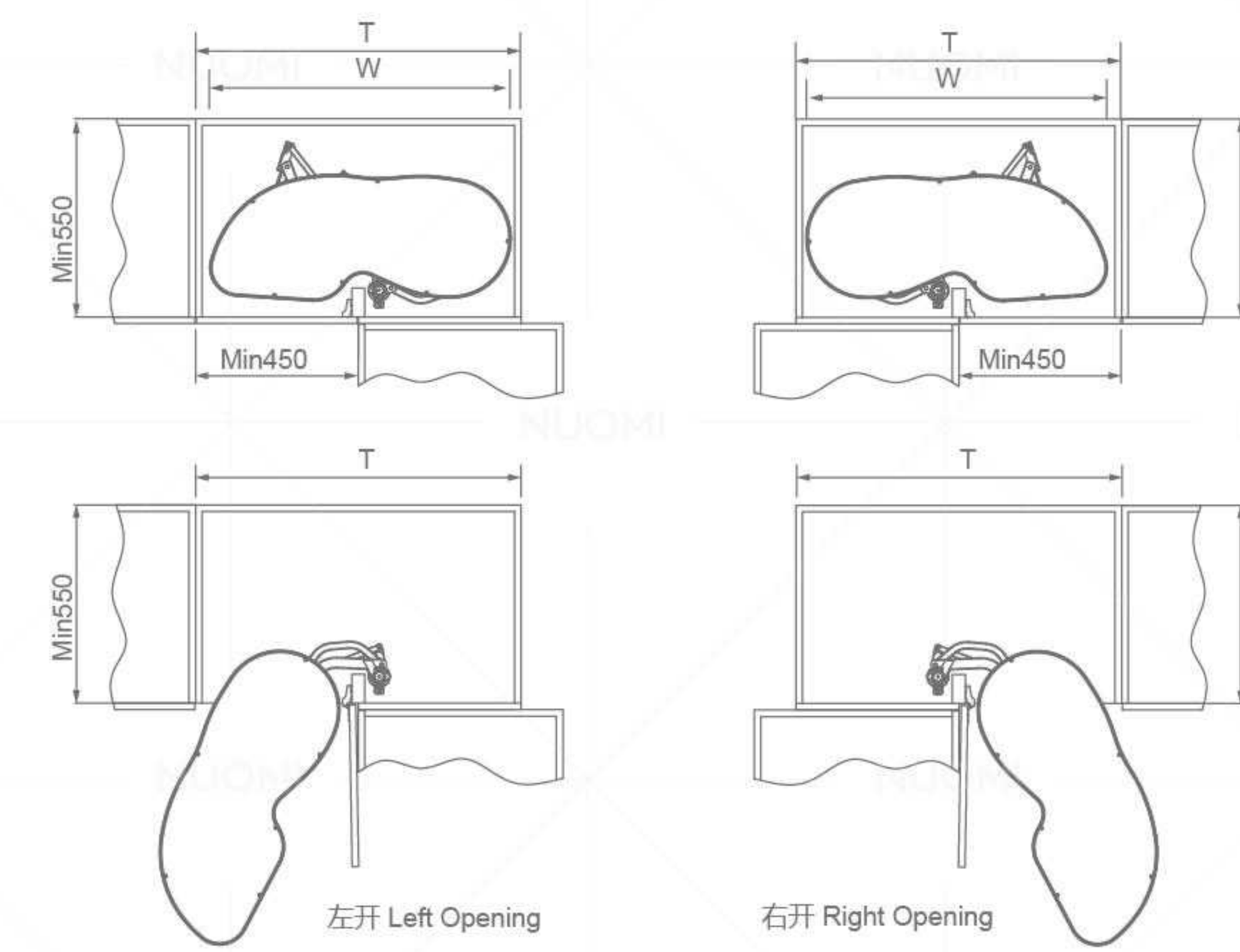
让转角空间充分体现它的魅力，满足舒适、实用、审美三方面追求，为您呈现一个高雅、整洁的厨房空间。



REVOLVING SAUCER 香槟玫瑰飞碟



型号 Item No.	适用柜宽 (T) Cabinet width	宽度 x 深度 x 高度 Width x Depth x Height	材质 Material	表面 Surface	工艺 Process	描述 Description
1020041	900mm/1000mm	828x500x(620-720)mm	碳钢 / Carbon steel	香槟金 / Champagne gold	纳米干镀 / Nano dry plating	左开 / Left open
1020042	900mm/1000mm	828x500x(620-720)mm	碳钢 / Carbon steel	香槟金 / Champagne gold	纳米干镀 / Nano dry plating	右开 / Right open

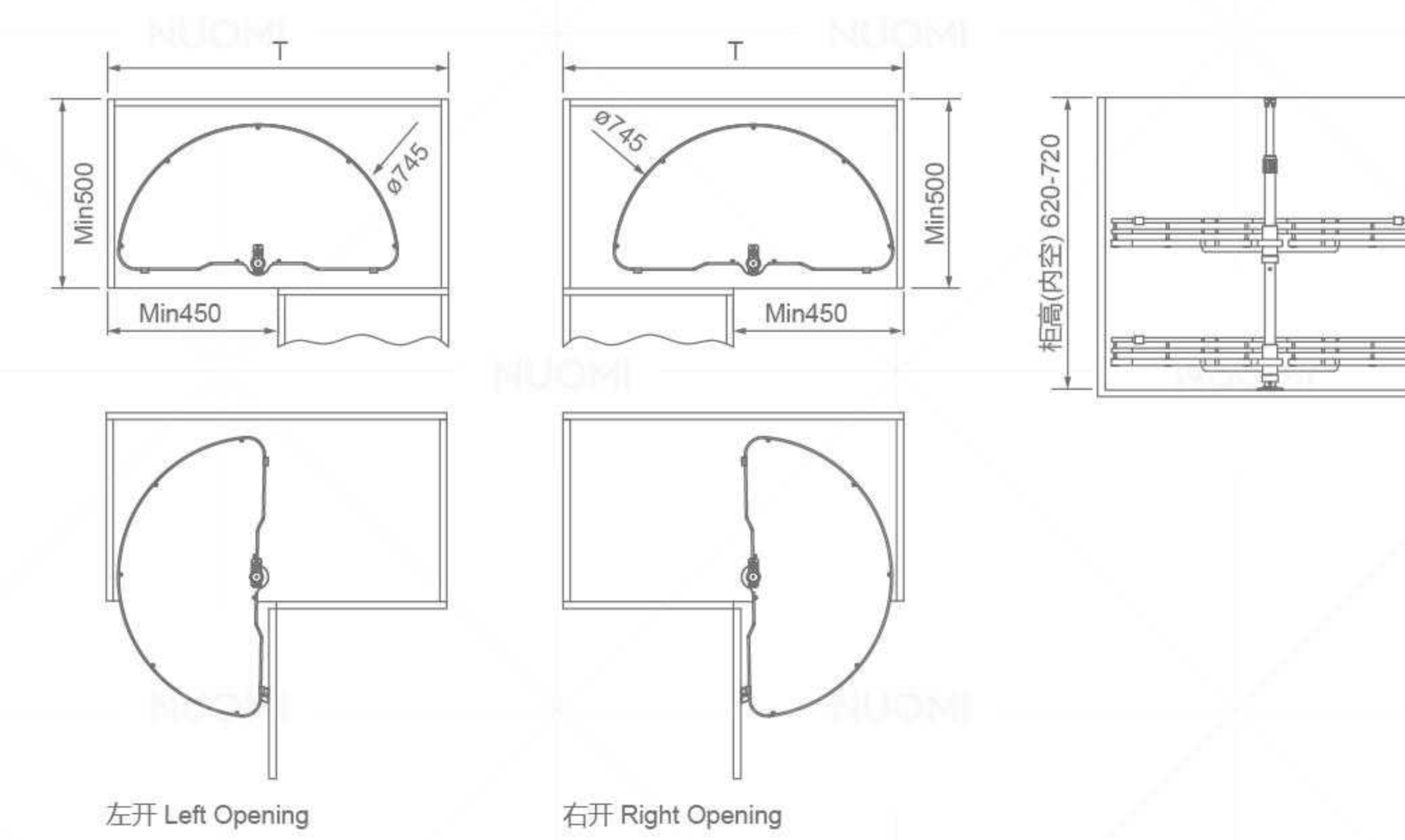




180° TURNTABLE SHELF 香槟玫瑰 180°双层转盘

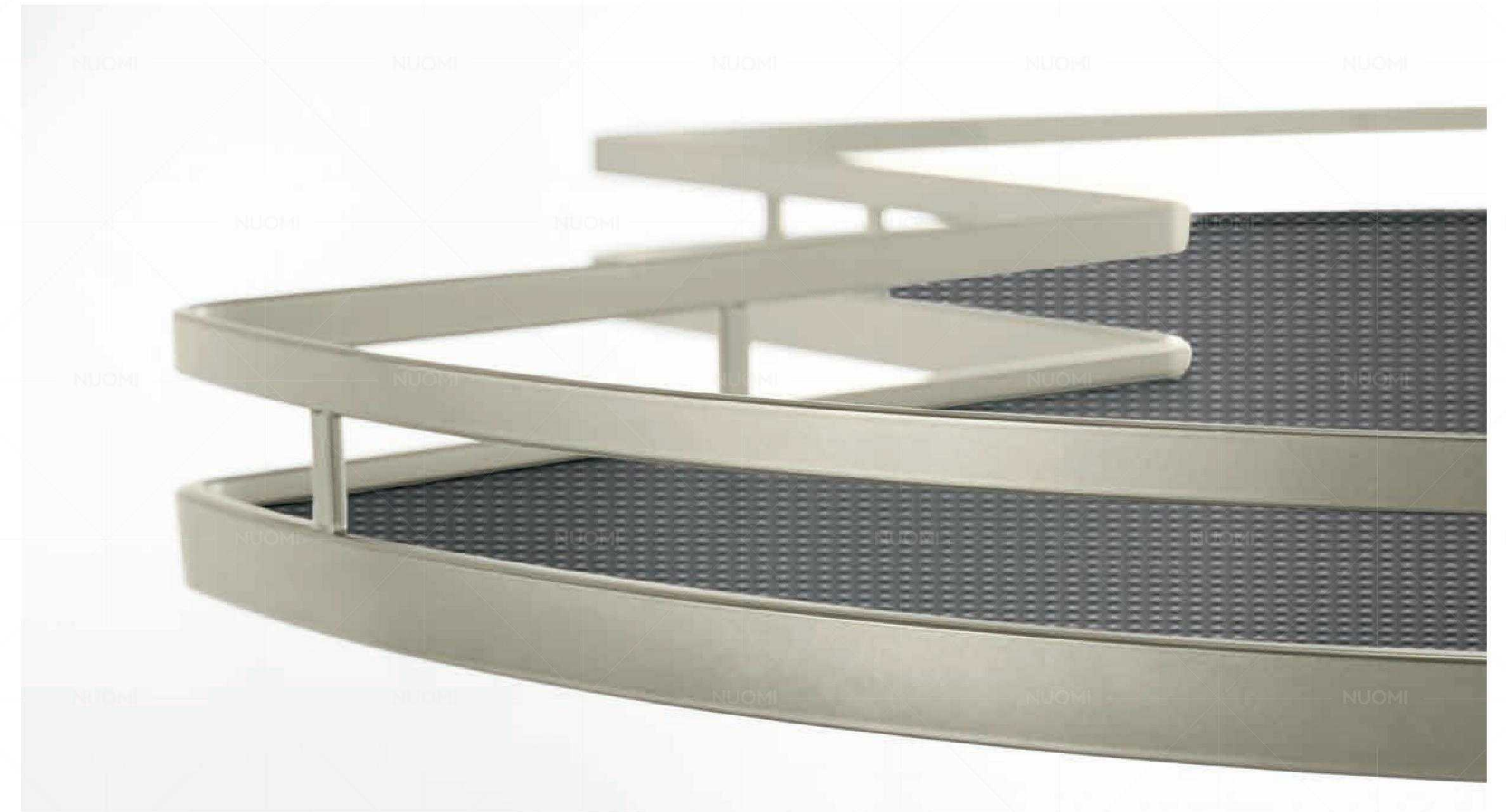


型号 Item No.	适用柜宽 (T) Cabinet width	宽度 x 深度 x 高度 Width x Depth x Height	材质 Material	表面 Surface	工艺 Process
1030044	900mm	744x404x(620-720)mm	碳钢 / Carbon steel	香槟金 / Champagne gold	纳米干镀 / Nano dry plating

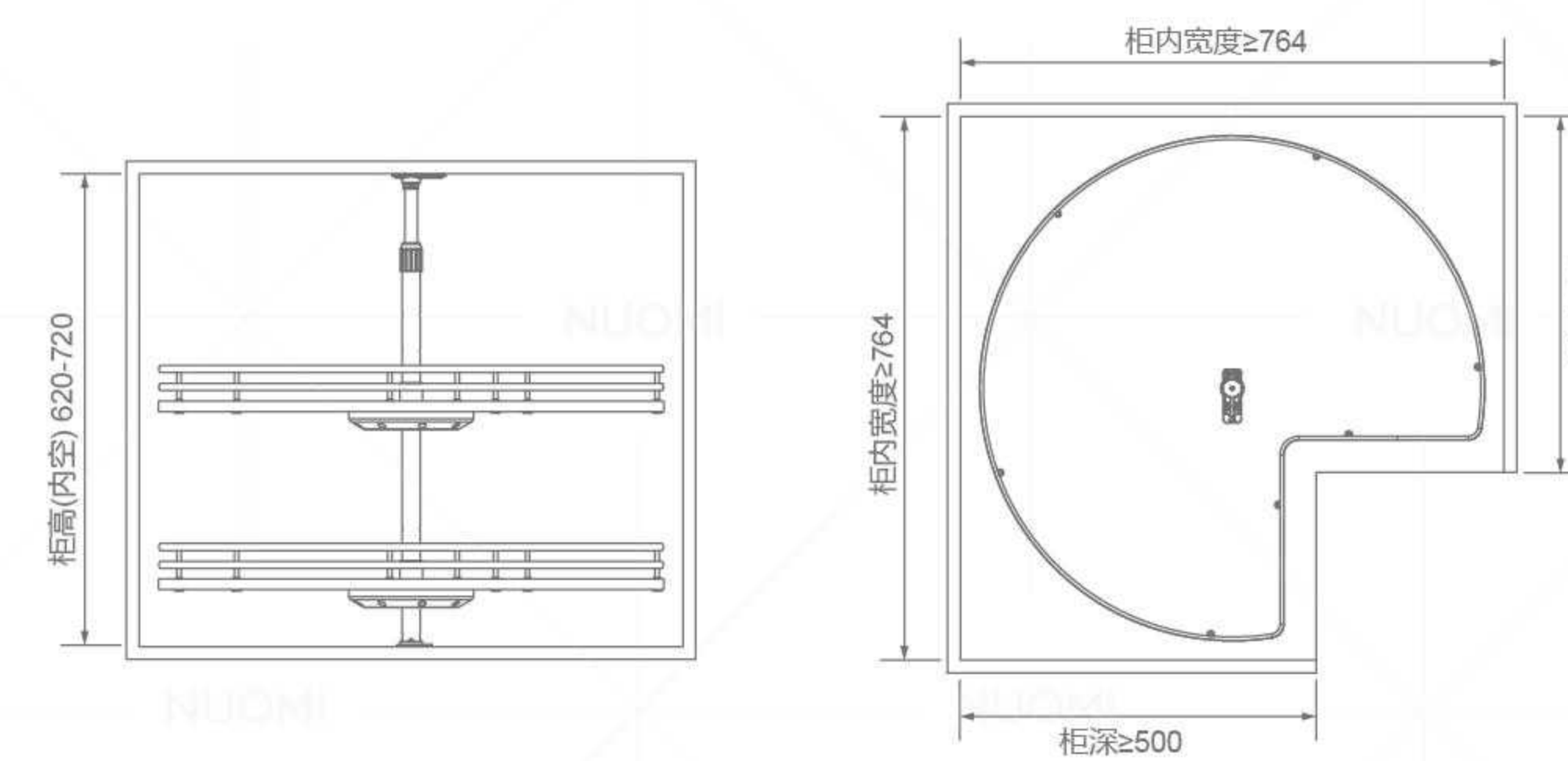




270°TURNTABLE SHELF 香槟玫瑰 270°双层转盘



型号 Item No.	适用柜宽 (T) Cabinet width	宽度 x 深度 x 高度 Width x Depth x Height	材质 Material	表面 Surface	工艺 Process
1030043	900mm	φ710xH(620-720)mm	碳钢 / Carbon steel	香槟金 / Champagne gold	纳米干镀 / Nano dry plating

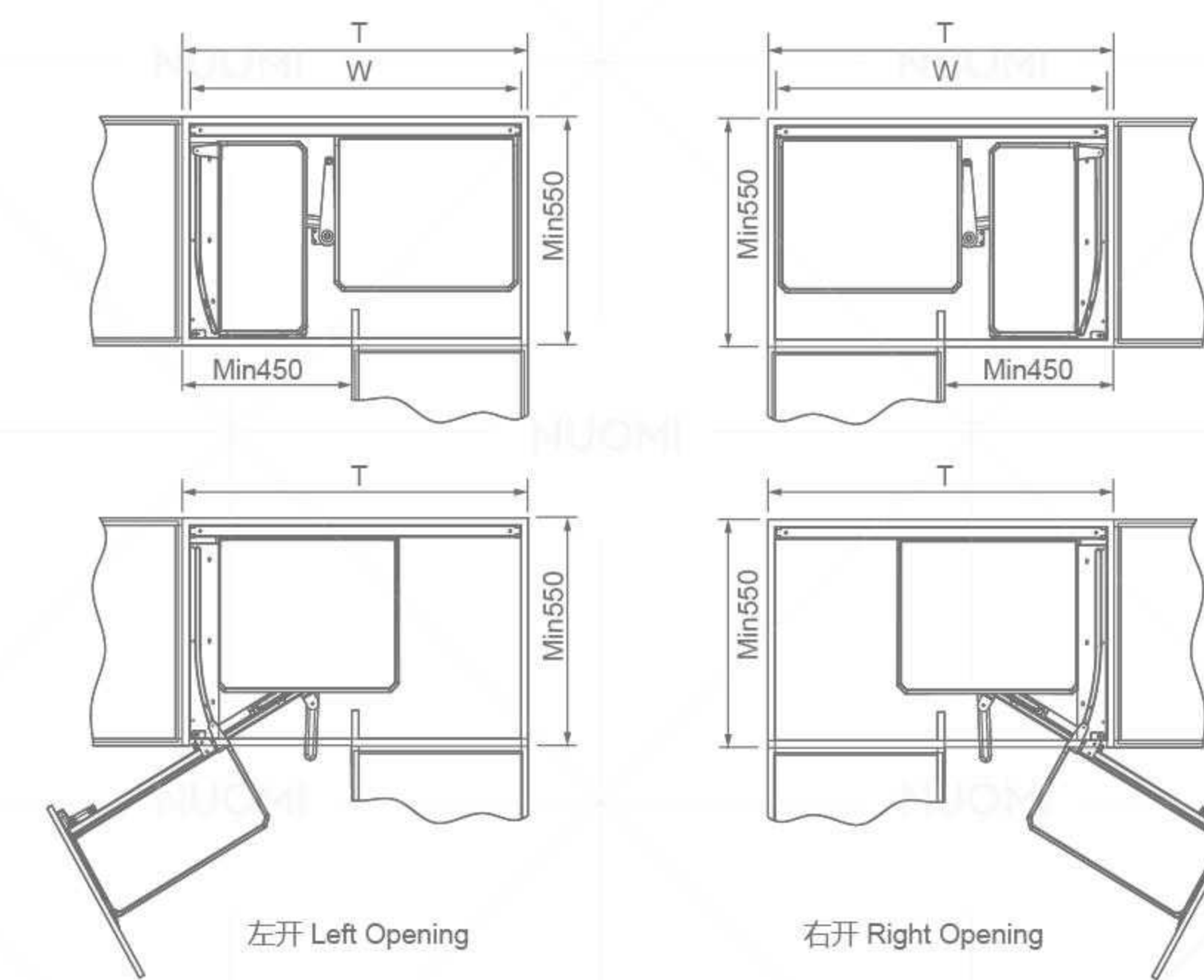




SOFT-CLOSE MAGIC CORNER 香槟玫瑰小怪物



支架型号 Frame item No.	篮体型号 Basket item No.	适用柜宽 (T) Cabinet width	宽度 x 深度 x 高度 Width x Depth x Height	描述 Description
1010001C	1010040	900-1000mm	(860-960)x530x520mm	左开 /Left open
1010002C	1010040	900-1000mm	(860-960)x530x520mm	右开 /Right open



# TALL CABINET STORAGE SYSTEM

## 高柜系统

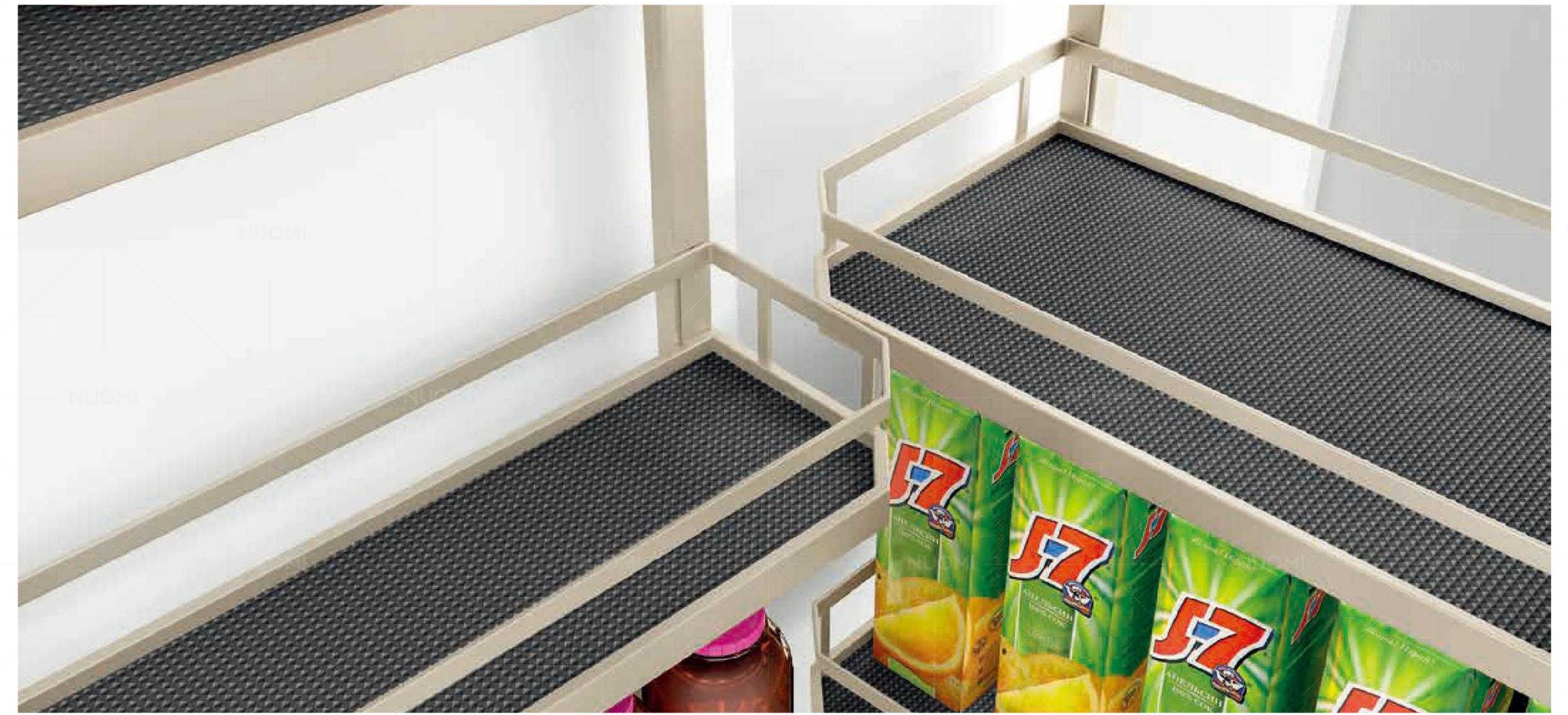
Perfectly integrates the functions with daily usability, creating a truly extraordinary work by mixing various contradictions: a powerful functional hardware suitable for the kitchen to store a variety of items.

高柜系统将功能与日常实用性完美地融合在一起，通过融合各种矛盾，创造出真正的非凡之作：一款适合厨房收纳各种物品的性能强大的功能五金。

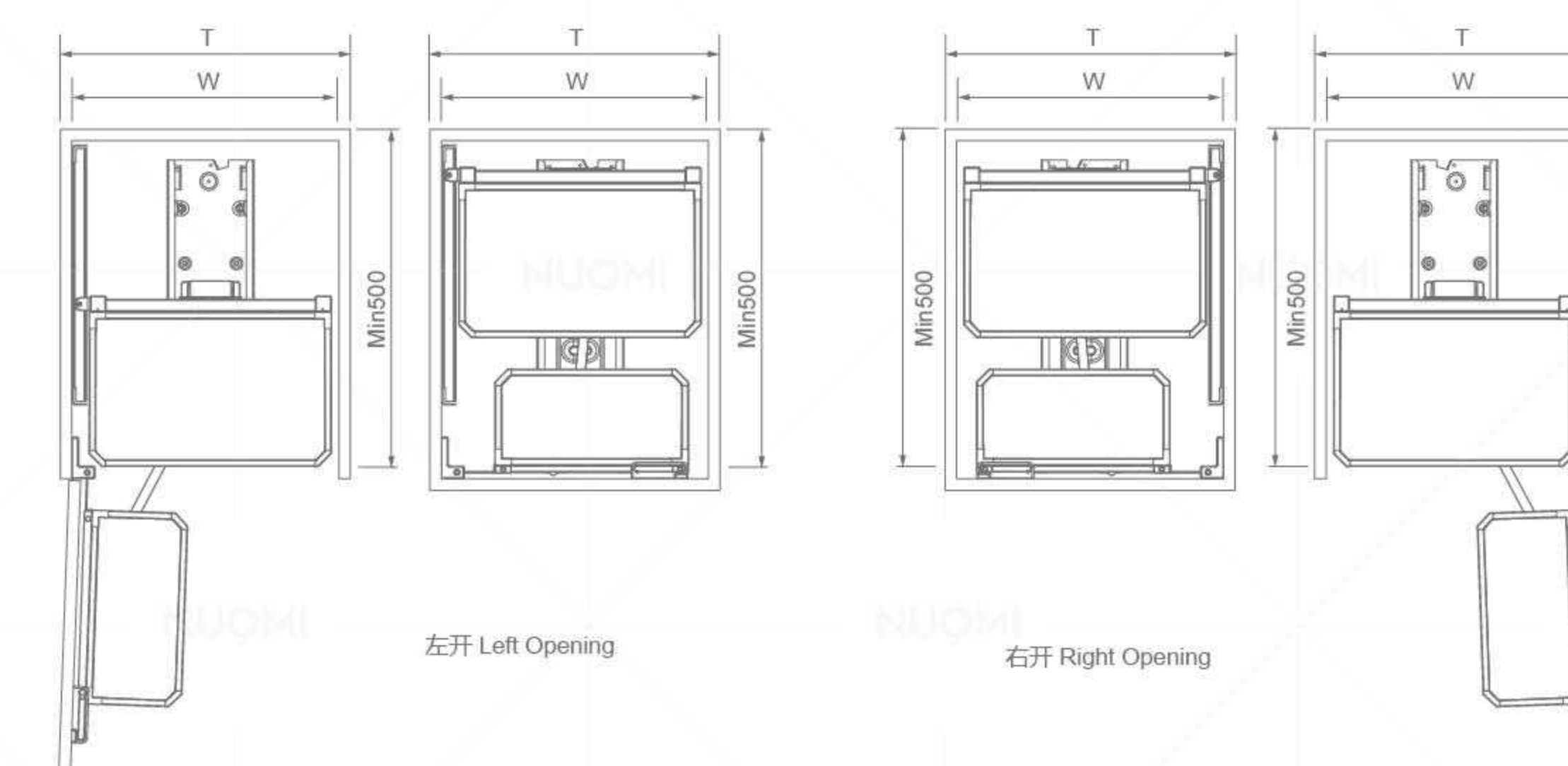




PANTRY ROLL-OUT 香槟玫瑰大怪物



支架型号 Frame item No.	篮体型号 Basket item No.	适用柜宽 (T) Cabinet width	宽度 x 深度 x 高度 Width x Depth x Height	描述 Description
2020001C	2020041	450mm	405x500x(1180 以上 above)mm	4层 /Tiers
2020002C	2020042	450mm	405x500x(1430 以上 above)mm	5层 /Tiers
2020003C	2020043	450mm	405x500x(1780 以上 above)mm	6层 /Tiers
2020004C	2020044	600mm	555x500x(1180 以上 above)mm	4层 /Tiers
2020005C	2020045	600mm	555x500x(1430 以上 above)mm	5层 /Tiers
2020006C	2020046	600mm	555x500x(1780 以上 above)mm	6层 /Tiers



KITCHEN STORAGE

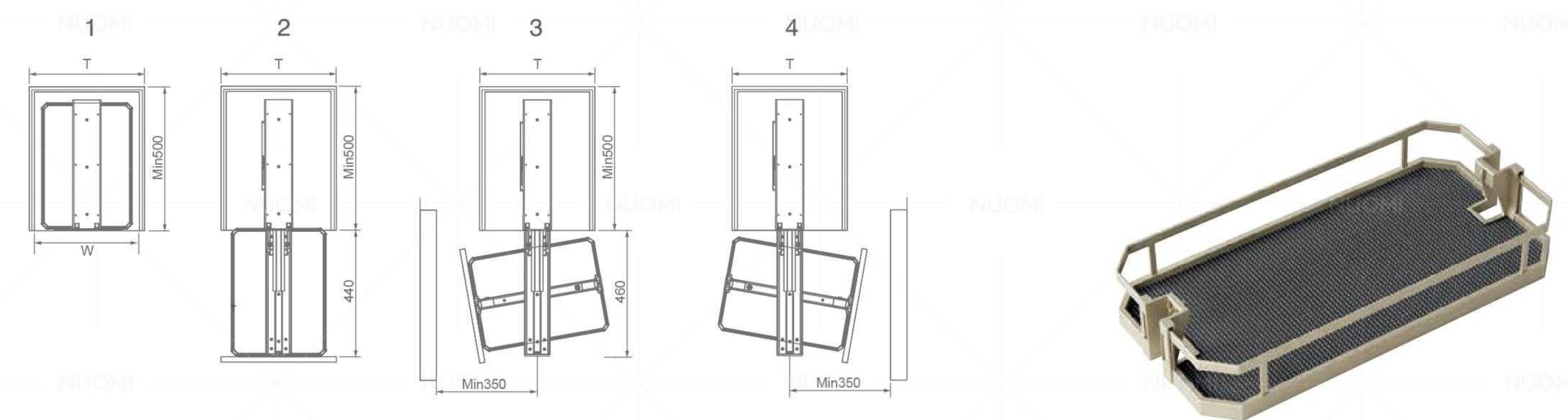
KITCHEN STORAGE



REVOLVING TALL UNIT 香槟玫瑰阻尼旋转高身篮



支架型号 (180°旋转) Frame item No.(180° Revolving)	篮体型号 Basket item No.	导轨型号 Rail item No.	适用柜宽 (T) Cabinet width	宽度 x 深度 x 高度 Width x Depth x Height	描述 Description
2010001C	2010041	2010007C	300mm	240x480x(1180-1480)mm	4层 /Tiers
2010002C	2010042	2010007C	300mm	240x480x(1430-1730)mm	5层 /Tiers
2010003C	2010043	2010007C	300mm	240x480x(1780-2080)mm	6层 /Tiers
2010001C	2010044	2010008C	400mm	340x480x(1180-1480)mm	4层 /Tiers
2010002C	2010045	2010008C	400mm	340x480x(1430-1730)mm	5层 /Tiers
2010003C	2010046	2010008C	400mm	340x480x(1780-2080)mm	6层 /Tiers



180°旋转支架实现状态 /180° Revolving Tall Unit : 1、2、3、4



# BASE CABINET STORAGE SYSTEM

地柜系统

Minimalist, the pursuit of concise design. Return to the true nature of life, feel the warm experience and perfect enjoyment brought by the ultimate pursuit, experience the highest comfortable state of life.

极简臻品，追求精炼简洁设计。回归生活本真，用心感受极致追求带来的温馨体验和完美享受，体验生活最高舒适状态。



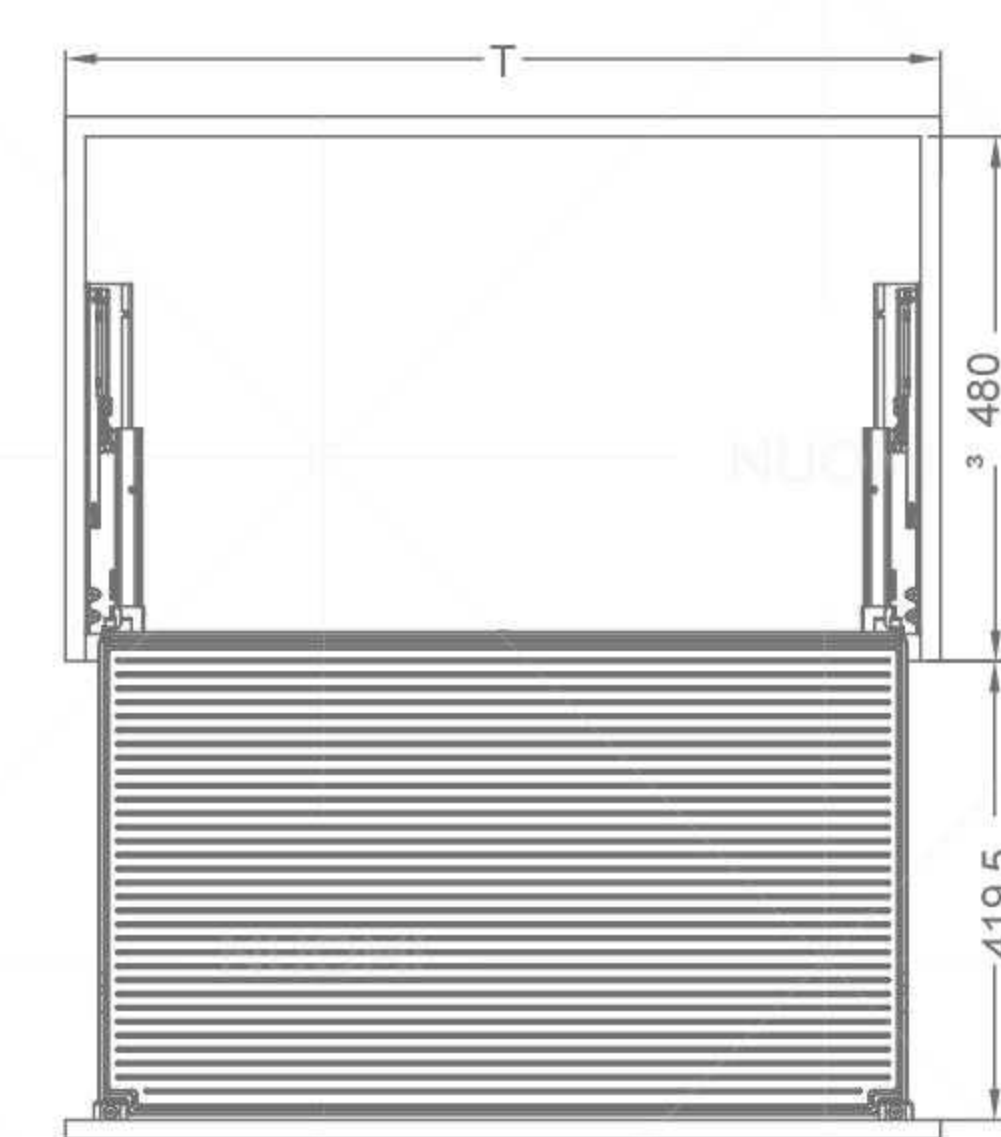


PULL-OUT BASKET 香槟玫瑰三边平篮



**HURMAR**  
标配德国赫马同步阻尼导轨

型号 Item No.	适用柜宽 (T) Cabinet width	宽度 x 深度 x 高度 Width x Depth x Height	材质 Material	表面 Surface	工艺 Process
3056001H	600mm	568x470x190mm	碳钢 / Carbon steel	香槟金 / Champagne gold	纳米干镀 / Nano dry plating
3057001H	700mm	668x470x190mm	碳钢 / Carbon steel	香槟金 / Champagne gold	纳米干镀 / Nano dry plating
3057201H	720mm	688x470x190mm	碳钢 / Carbon steel	香槟金 / Champagne gold	纳米干镀 / Nano dry plating
3057501H	750mm	718x470x190mm	碳钢 / Carbon steel	香槟金 / Champagne gold	纳米干镀 / Nano dry plating
3058001H	800mm	768x470x190mm	碳钢 / Carbon steel	香槟金 / Champagne gold	纳米干镀 / Nano dry plating
3059001H	900mm	868x470x190mm	碳钢 / Carbon steel	香槟金 / Champagne gold	纳米干镀 / Nano dry plating

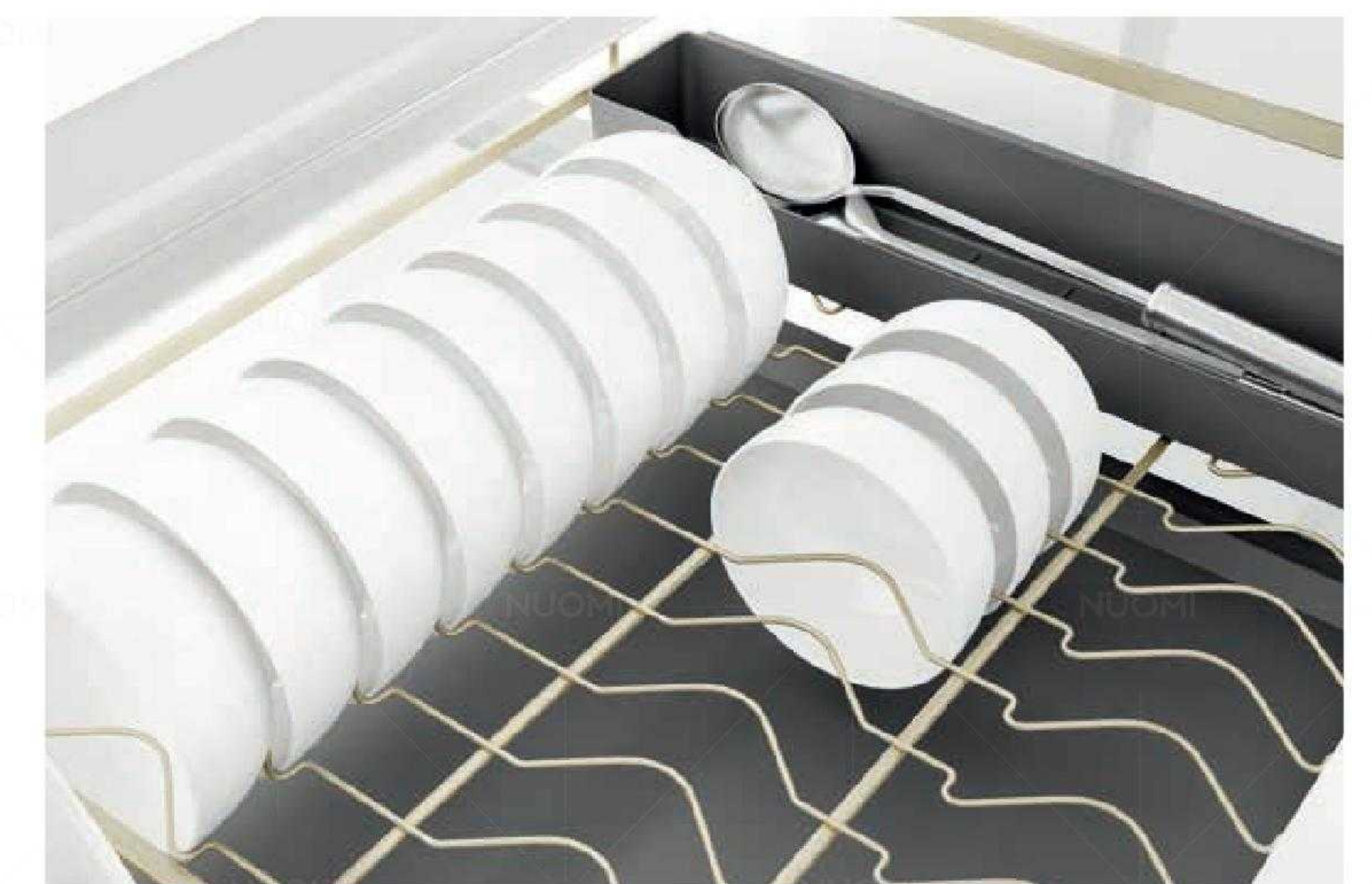
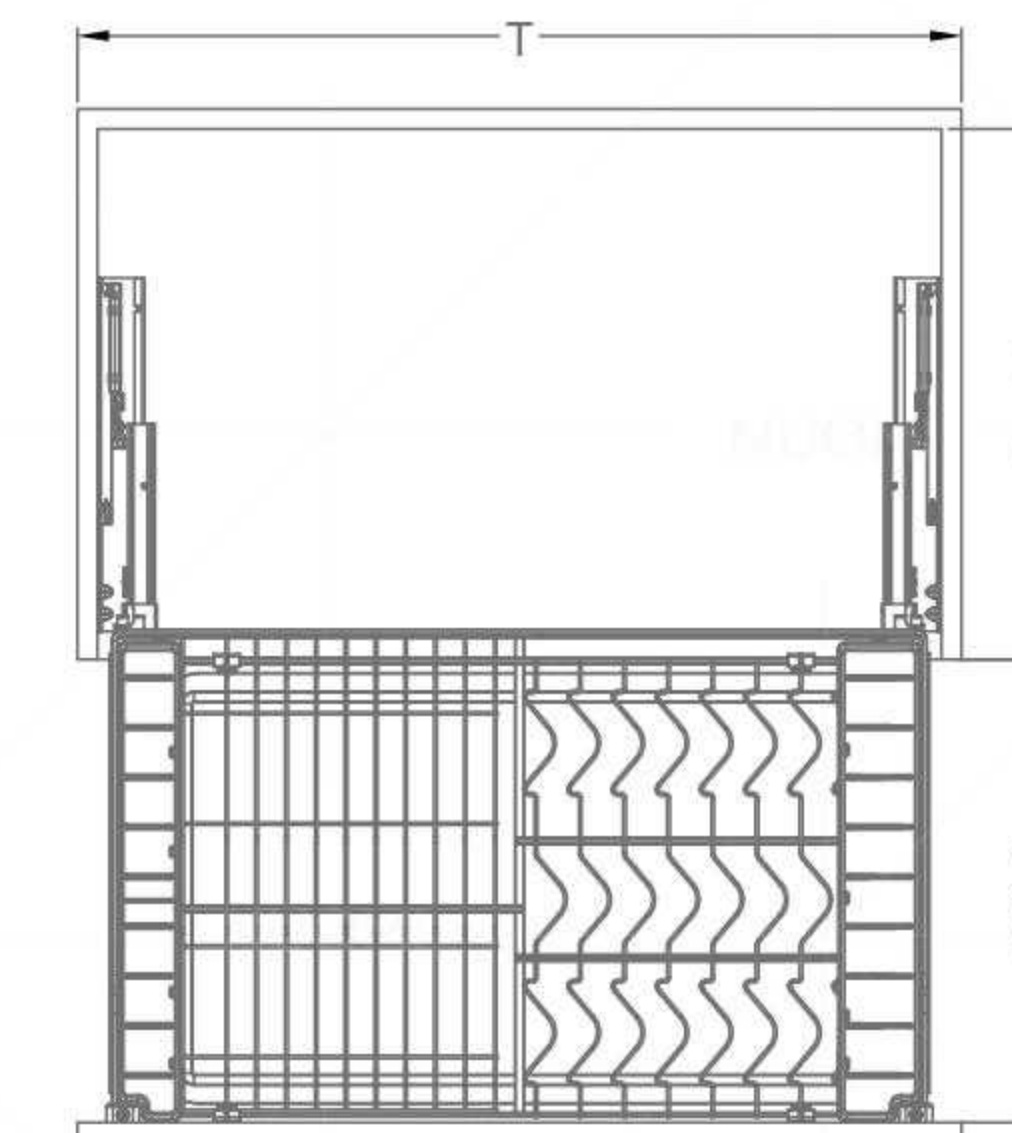




MULTIFUNCTIONAL PULL-OUT BASKET 香槟玫瑰三边碗碟篮



型号 Item No.	适用柜宽 (T) Cabinet width	宽度 x 深度 x 高度 Width x Depth x Height	材质 Material	表面 Surface	工艺 Process
3056002H	600mm	568x470x190mm	碳钢 / Carbon steel	香槟金 / Champagne gold	纳米干镀 / Nano dry plating
3057002H	700mm	668x470x190mm	碳钢 / Carbon steel	香槟金 / Champagne gold	纳米干镀 / Nano dry plating
3057202H	720mm	688x470x190mm	碳钢 / Carbon steel	香槟金 / Champagne gold	纳米干镀 / Nano dry plating
3057502H	750mm	718x470x190mm	碳钢 / Carbon steel	香槟金 / Champagne gold	纳米干镀 / Nano dry plating
3058002H	800mm	768x470x190mm	碳钢 / Carbon steel	香槟金 / Champagne gold	纳米干镀 / Nano dry plating
3059002H	900mm	868x470x190mm	碳钢 / Carbon steel	香槟金 / Champagne gold	纳米干镀 / Nano dry plating



# PULL-OUT BASKET FOR SEASONING

## 调味篮



Fashion is a kind of attitude to life, rather than complex boring, as simple life, do subtraction for life. Simplicity is fashion, and fashion is simplicity.

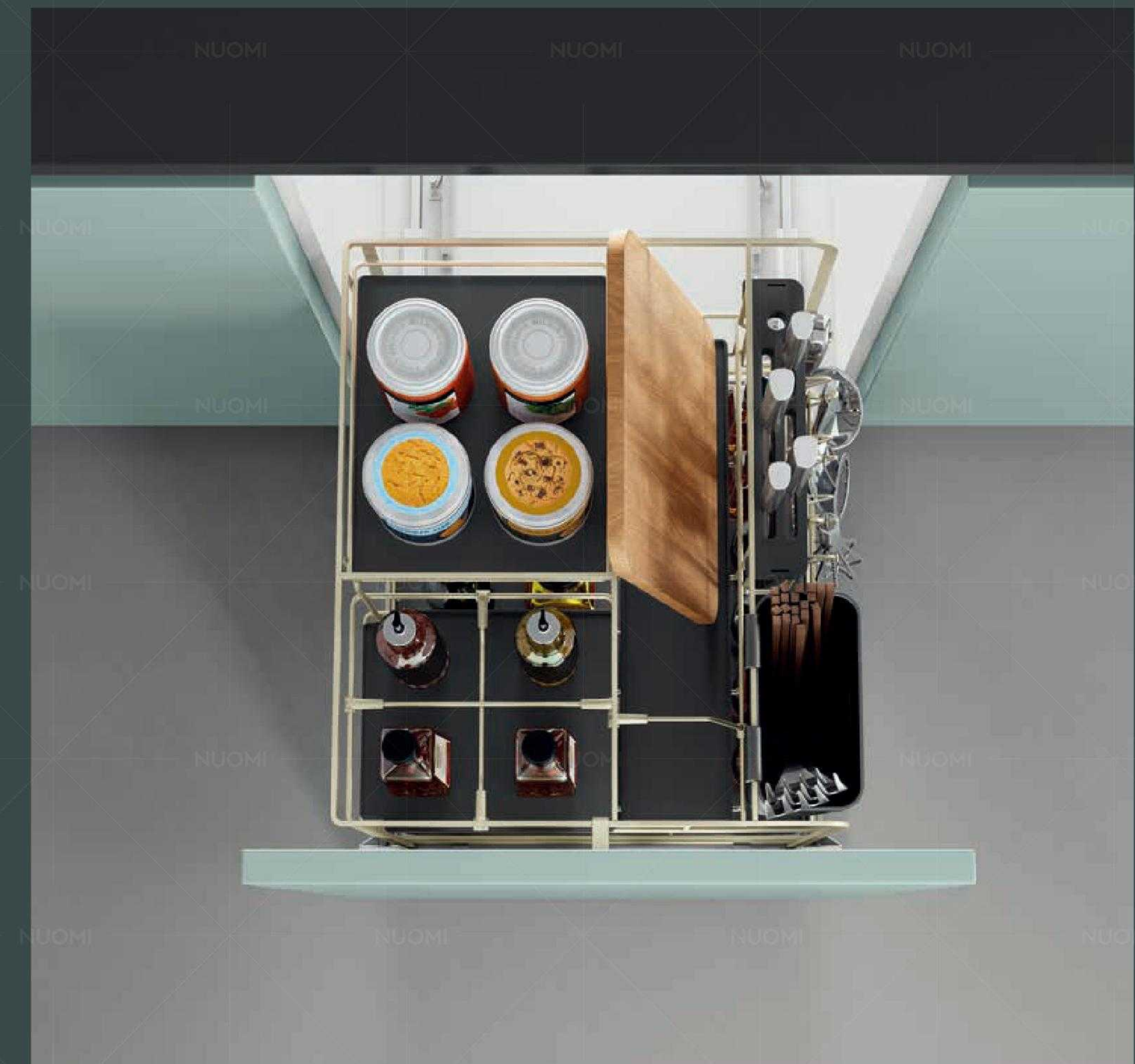
时尚是一种生活态度，与其复杂无趣，不如简单生活，为生活做减法。从简即时尚，时尚即简约。



Rich functions make kitchen life more elegant. Neat and efficient storage function, let you on all items at a glance, easy and efficient meal preparation. Experience life at its highest level of comfort.

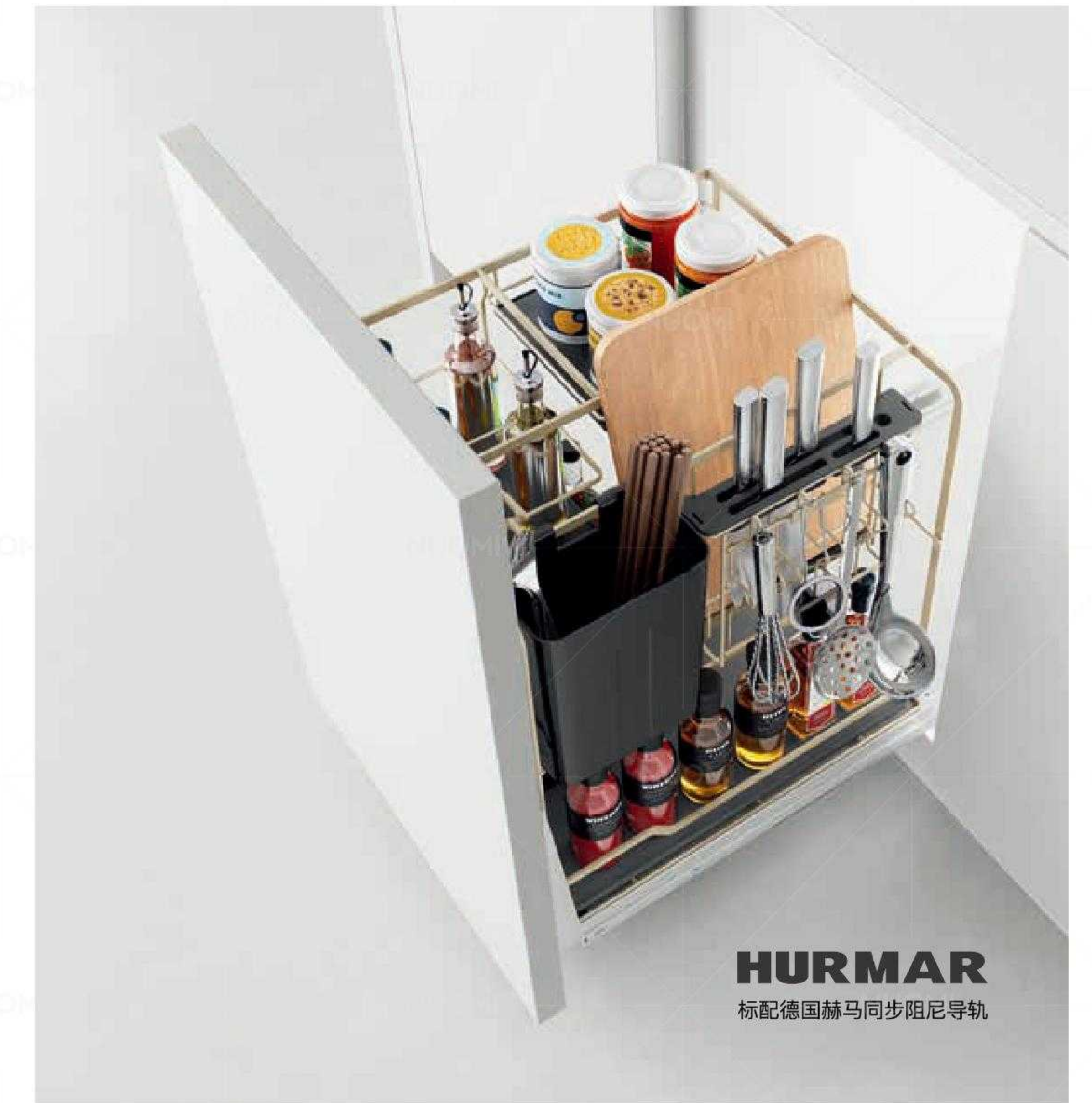
丰富的功能让厨房生活更优雅。整洁高效的收纳功能，让您对所有物品一目了然，轻松高效地备餐。体验生活的最高舒适状态。

## Kitchen Functional Hardware

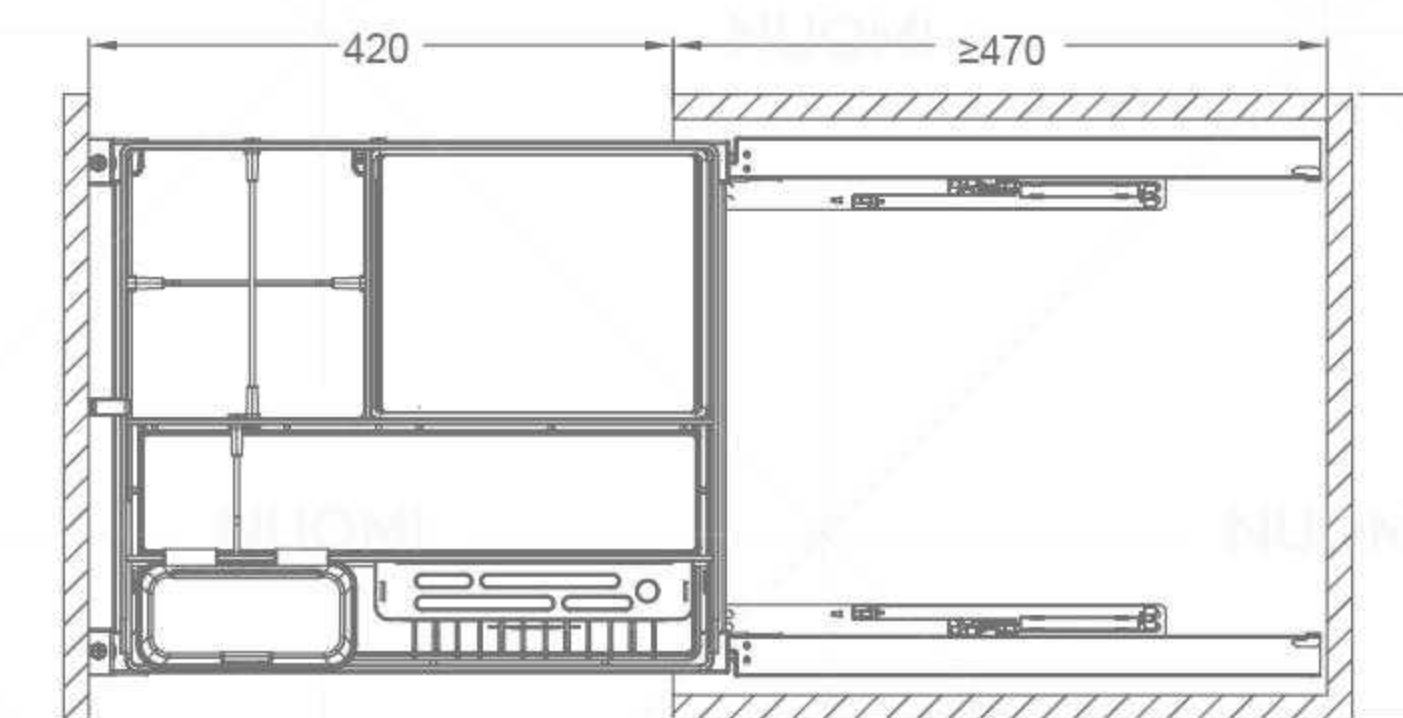




PULL-OUT BASKET FOR SEASONING 香槟玫瑰调味篮



型号 Item No.	适用柜宽 (T) Cabinet width	宽度 x 深度 x 高度 Width x Depth x Height	材质 Material	表面 Surface	工艺 Process
3054501H	450mm	414x460x480mm	碳钢 / Carbon steel	香槟金 / Champagne gold	纳米干镀 / Nano dry plating

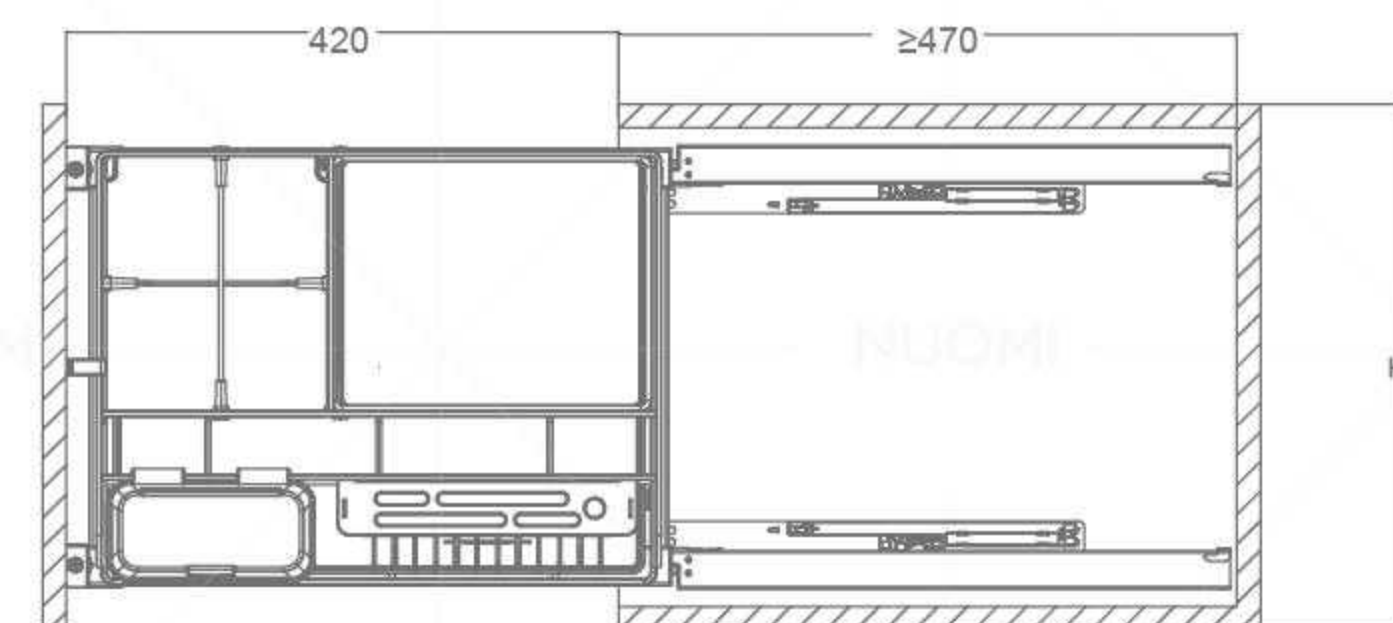


PULL-OUT BASKET FOR SEASONING 香槟玫瑰调味篮



**HURMAR**  
标配德国赫马同步阻尼导轨

型号 Item No.	适用柜宽 (T) Cabinet width	宽度 x 深度 x 高度 Width x Depth x Height	材质 Material	表面 Surface	工艺 Process
3054001H	400mm	364x460x480mm	碳钢 /Carbon steel	香槟金 /Champagne gold	纳米干镀 /Nano dry plating
3053501H	350mm	314x460x480mm	碳钢 /Carbon steel	香槟金 /Champagne gold	纳米干镀 /Nano dry plating

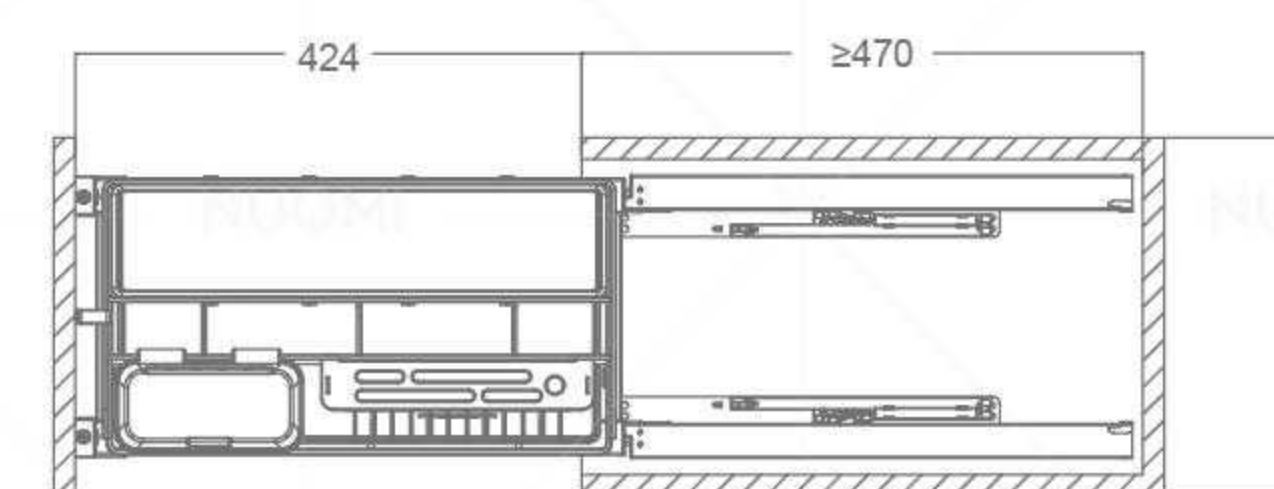


PULL-OUT BASKET FOR SEASONING 香槟玫瑰调味篮



**HURMAR**  
标配德国赫马同步阻尼导轨

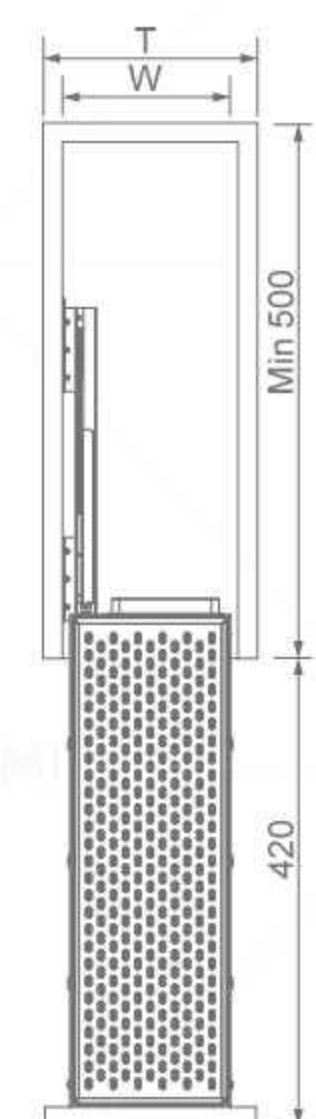
型号 Item No.	适用柜宽 (T) Cabinet width	宽度 x 深度 x 高度 Width x Depth x Height	材质 Material	表面 Surface	工艺 Process
3053001H	300mm	264x460x480mm	碳钢 /Carbon steel	香槟金 /Champagne gold	纳米干镀 /Nano dry plating



NARROW PULL-OUT BASKET 香槟玫瑰窄边篮



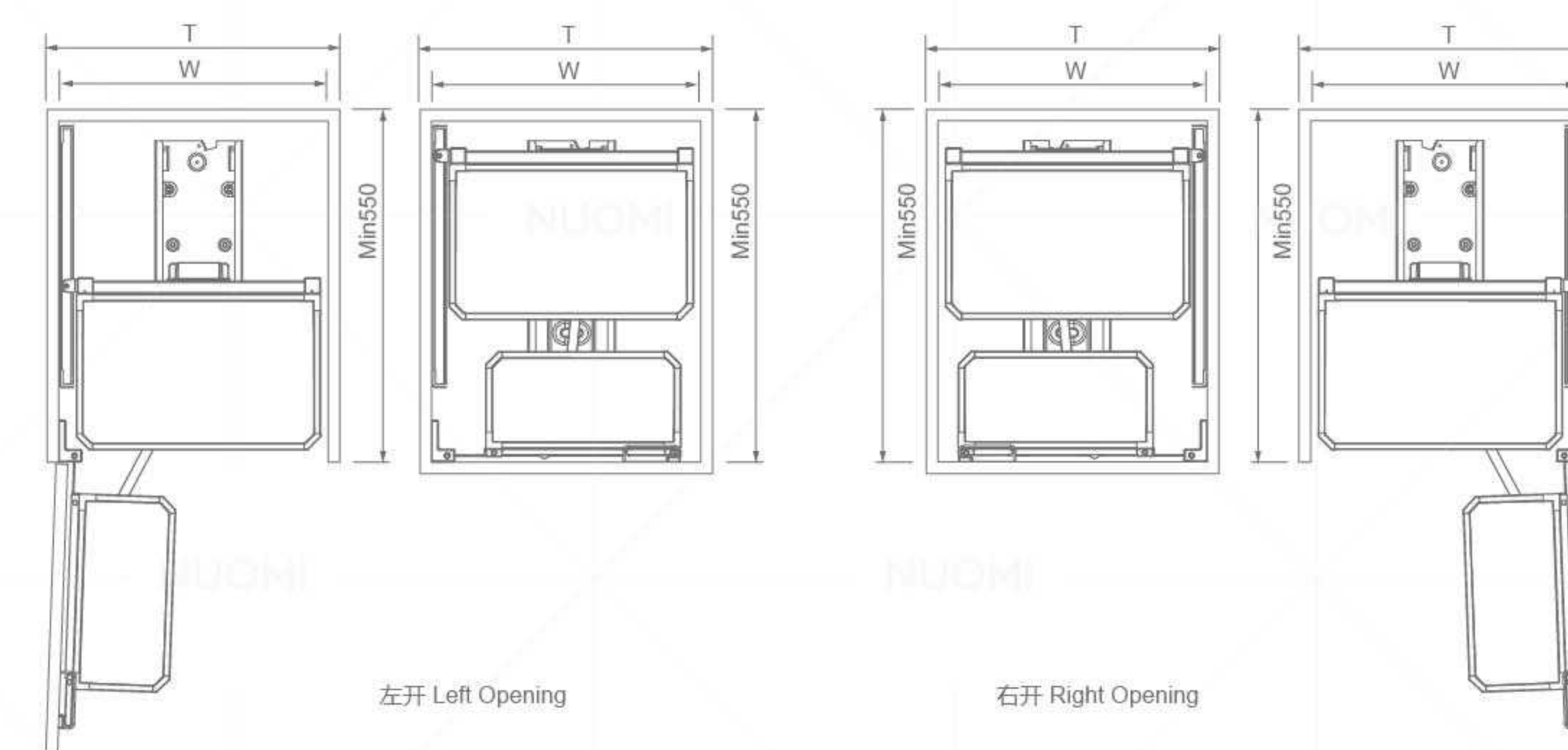
型号 Item No.	适用柜宽 (T) Cabinet width	宽度 x 深度 x 高度 Width x Depth x Height	材质 Material	表面 Surface	工艺 Process
3052001H	200mm	160x480x540mm	碳钢 /Carbon steel	香槟金 /Champagne gold	纳米干镀 /Nano dry plating
3051501H	150mm	110x480x540mm	碳钢 /Carbon steel	香槟金 /Champagne gold	纳米干镀 /Nano dry plating



BASE CABINET MINI PANTRY ROLL-OUT 香槟玫瑰地柜联动篮



支架型号 Frame item No.	篮体型号 Basket item No.	适用柜宽 (T) Cabinet width	宽度 x 深度 x 高度 Width x Depth x Height	描述 Description
2020007C	2020047	450mm	405x500x(600 以上 above)mm	左右共用 /Universal for left & right
2020008C	2020048	600mm	555x500x(600 以上 above)mm	左右共用 /Universal for left & right





CHAMPAGNE ROSE

# CUPBOARD LIFTING UNIT

空降机系统

Let the corner space fully embody its charm, meet the pursuit of comfort, practicality and aesthetics, and present to you an elegant and tidy kitchen space.

让转角空间充分体现它的魅力，满足舒适、实用、审美三方面追求，为您呈现一个高雅、整洁的厨房空间。

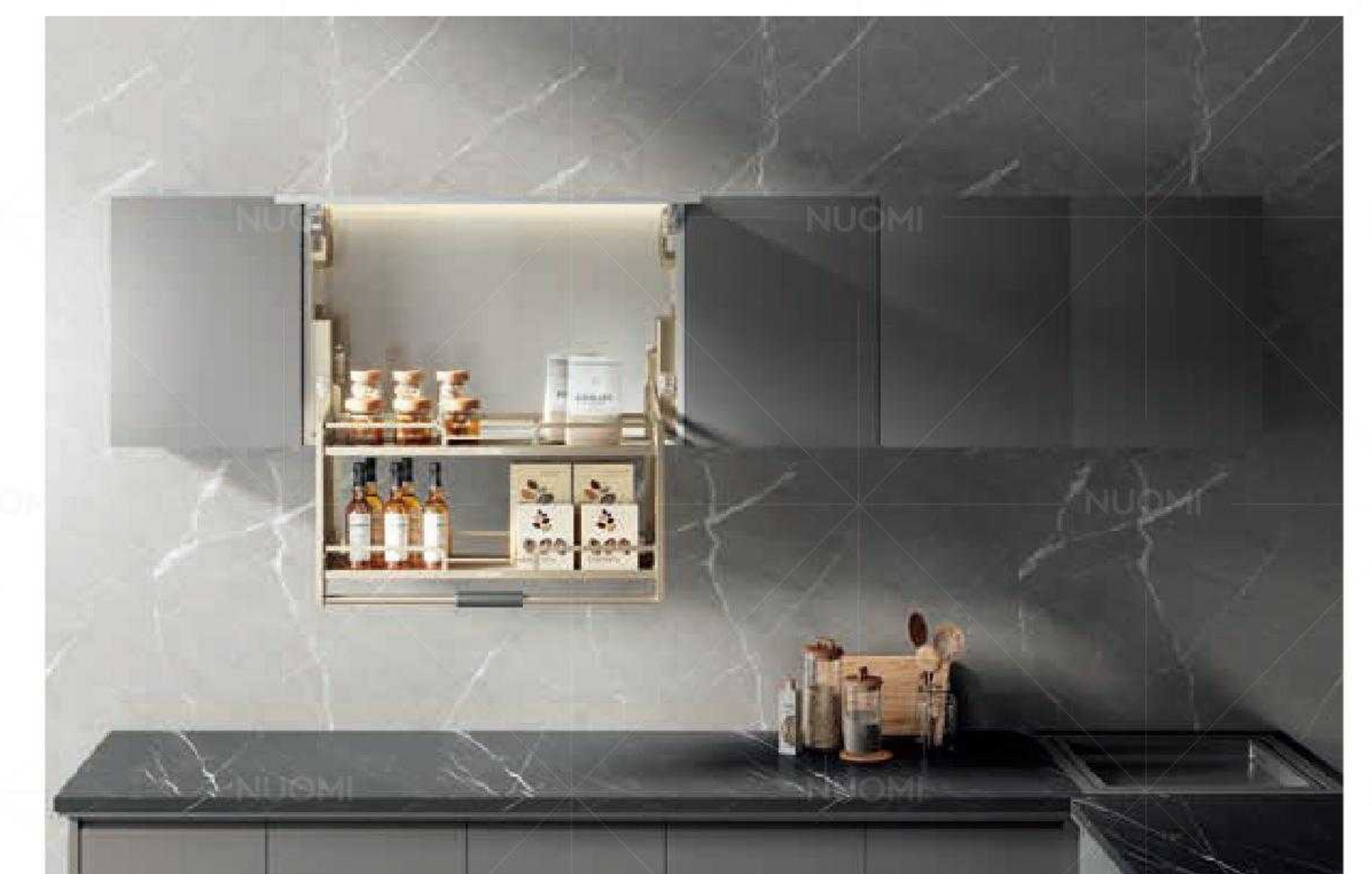
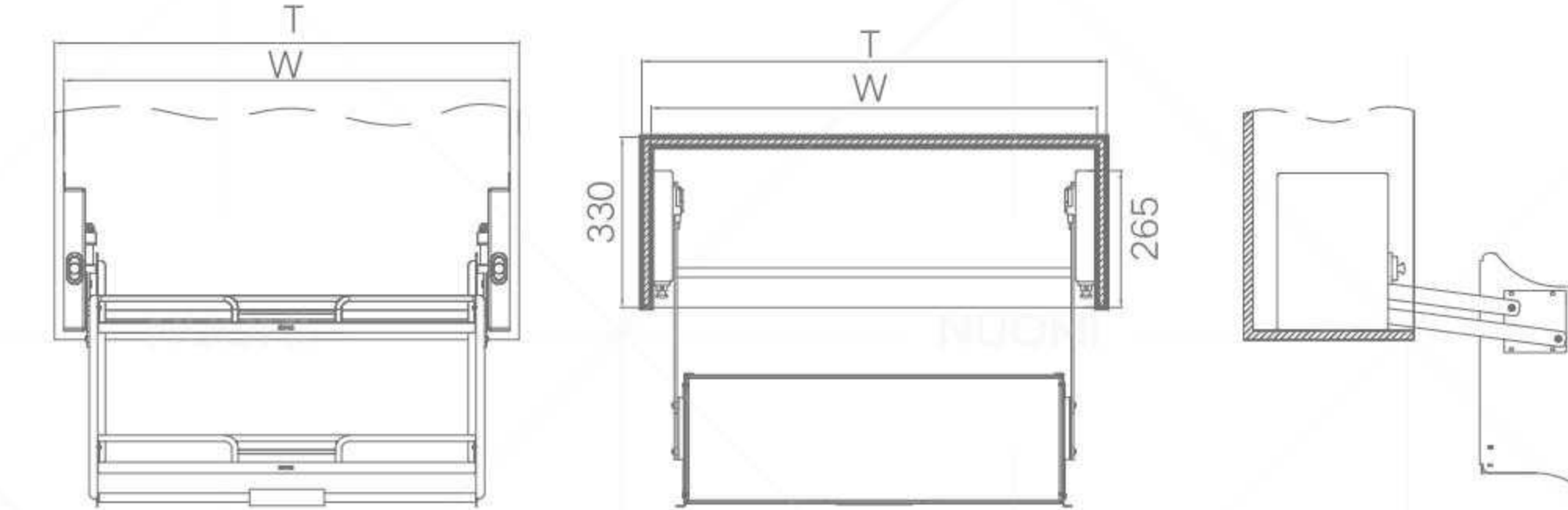




DOUBLE-LAYER LITING UNIT 香槟玫瑰双层空降机



支架型号 Frame item No.	适用柜宽 (T) Cabinet width	宽度 x 深度 x 高度 Width x Depth x Height	材质 Material	表面 Surface	工艺 Process
4196001	600mm	564x266x550mm	碳钢 / Carbon steel	香槟金 / Champagne gold	纳米干镀 / Nano dry plating
4197001	700mm	664x266x550mm	碳钢 / Carbon steel	香槟金 / Champagne gold	纳米干镀 / Nano dry plating
4198001	800mm	764x266x550mm	碳钢 / Carbon steel	香槟金 / Champagne gold	纳米干镀 / Nano dry plating
4199001	900mm	864x266x550mm	碳钢 / Carbon steel	香槟金 / Champagne gold	纳米干镀 / Nano dry plating



# DAVARAJAS

金刚系列

Both visual unity and storage function are taken into consideration to keep the area simple and orderly. Satisfying the visual enjoyment, you can also intimately embrace the fireworks of the city.

视觉统一与收纳功能一兼顾，为区域保持简洁有序。满足视觉尊享，亦可亲密拥抱城市之烟火气。





## Corner units Function and technology 功能与技术

### Function 功能

Store all kinds of kitchen utensils, kitchenware, condiments, cleaning articles etc. Make the kitchen clean and orderliness, clear at a glance, conveniently putting and taking items.

根据不同品种储存各类厨房器皿、用具、调味品、清洁用品等，厨房收纳整齐、一目了然、存放方便。

### Quality 品质

Basket is made of superior SUS304 stainless steel, with European style Trivalent chromium chromed, bright and durable; Slide passes through European standard SGS80000 cycles test.

篮体选用 SUS 304 不锈钢，表面经过欧标三价铬电镀，亮丽耐用；导轨通过欧标 SGS80000 次运动测试。

### Design 设计

Standard with German soft-close slide, works smoothly and steady, silent and auto-close; Easily amounted with cabinet door, convenient for installation; European super wide flat wire, with water drop plastic tray, easily cleaning.

标配德国阻尼导轨，开合顺滑流畅，静音自动复位；拉篮采用快装门板设计，安装简易、方便；超宽扁线围边欧式风格，配接水盘，清洗方便。

### Storage 储物

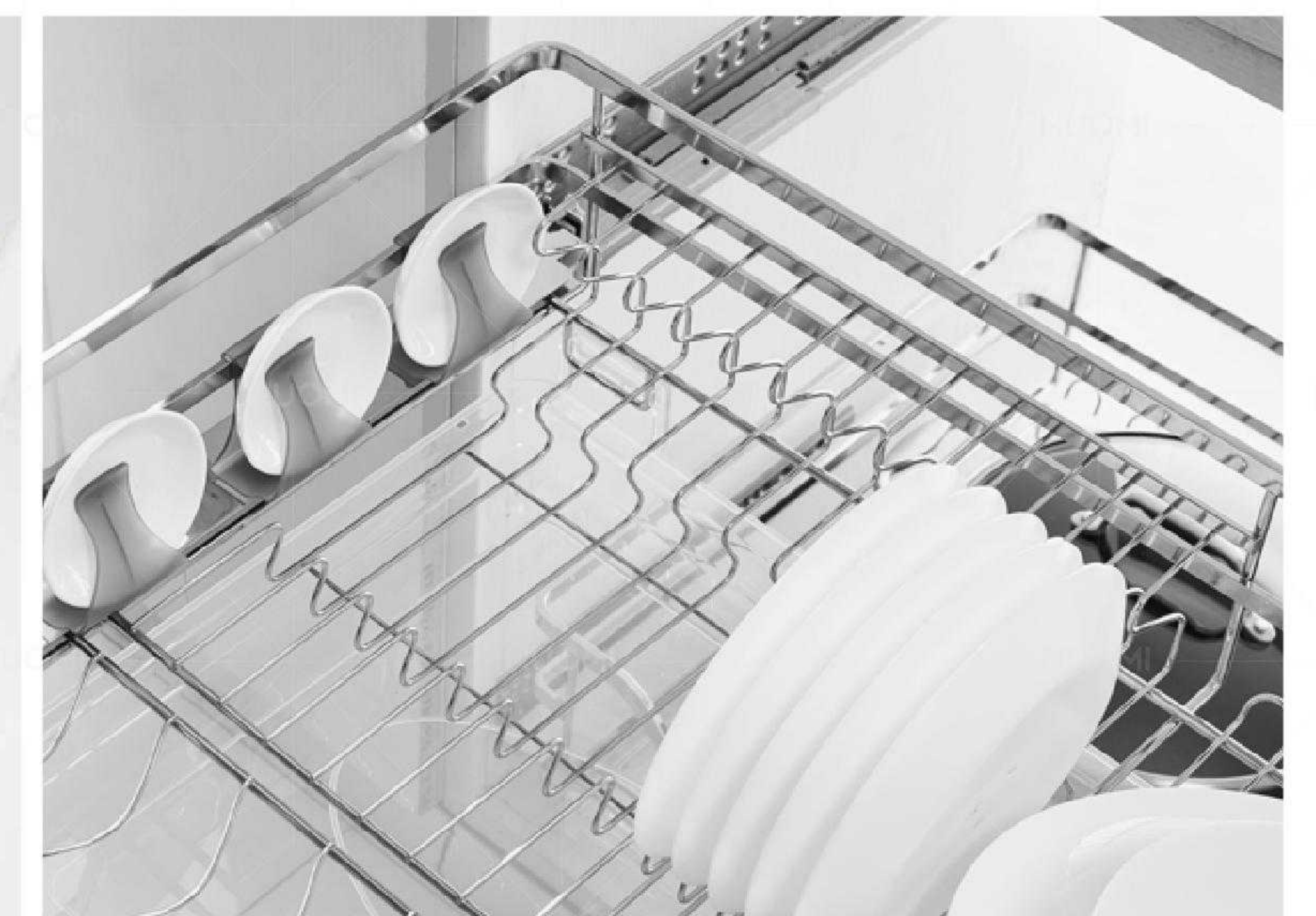
It is recommended to store different kinds of kitchenware, cooker, tableware, condiment according to different storage space.

建议根据不同区域储存各类厨房器皿、炊具、餐具、调味品等。

### Loading Capacity 承重

Germany Brand HURMAR soft-close synchronous slide, Max loading: 30KG

德国品牌赫马尼缓冲同步导轨，可最大承重 30KG。



# BASE CABINET STORAGE SYSTEM

地柜系统

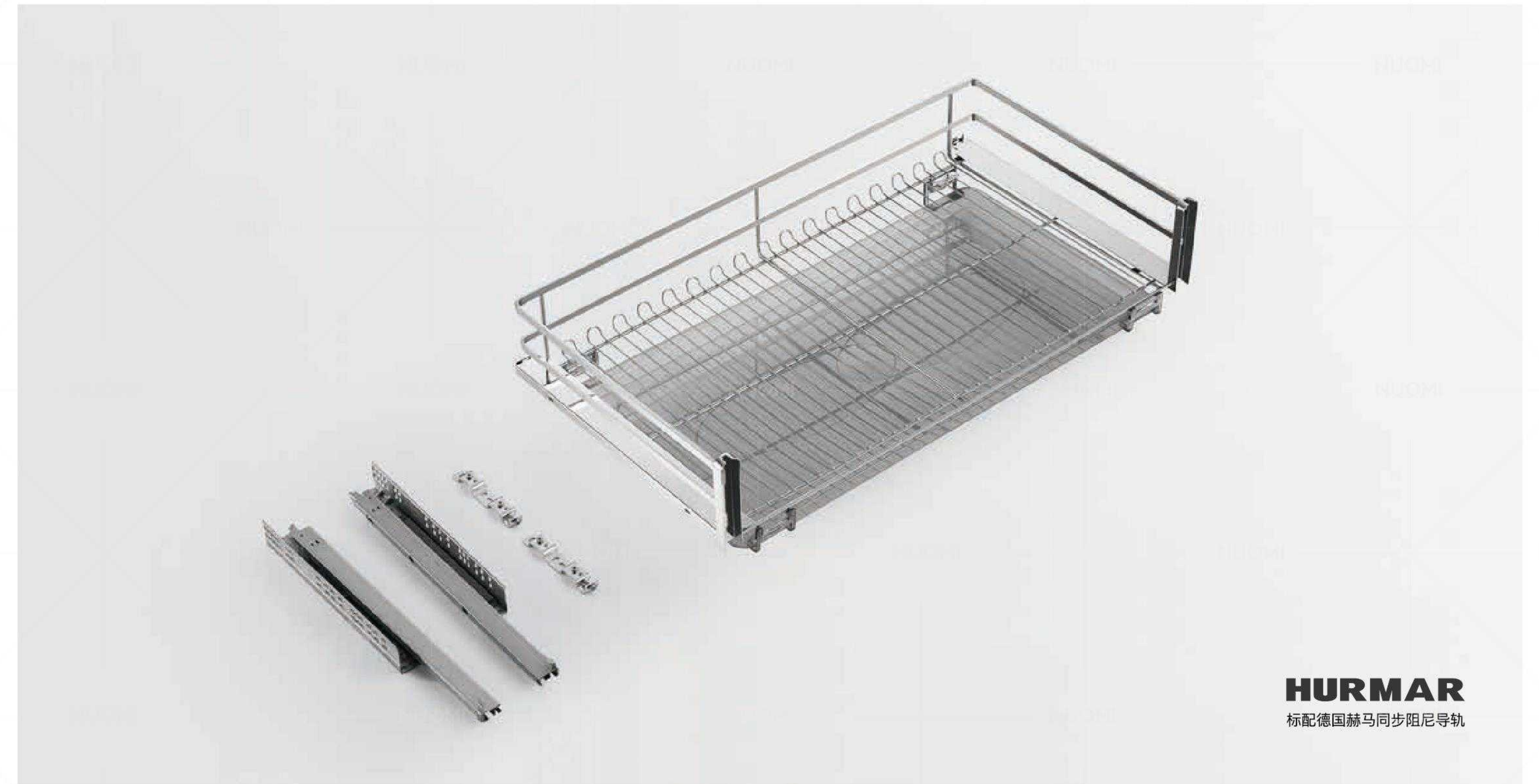
A tidy kitchen, make your heart peaceful. Keep orderly life, completely control no matter inside or outside.

整理出一个整洁宽敞的厨房，也整理出一颗平静豁达的内心。生活的步履不乱，于内于外，都是充分的掌控。

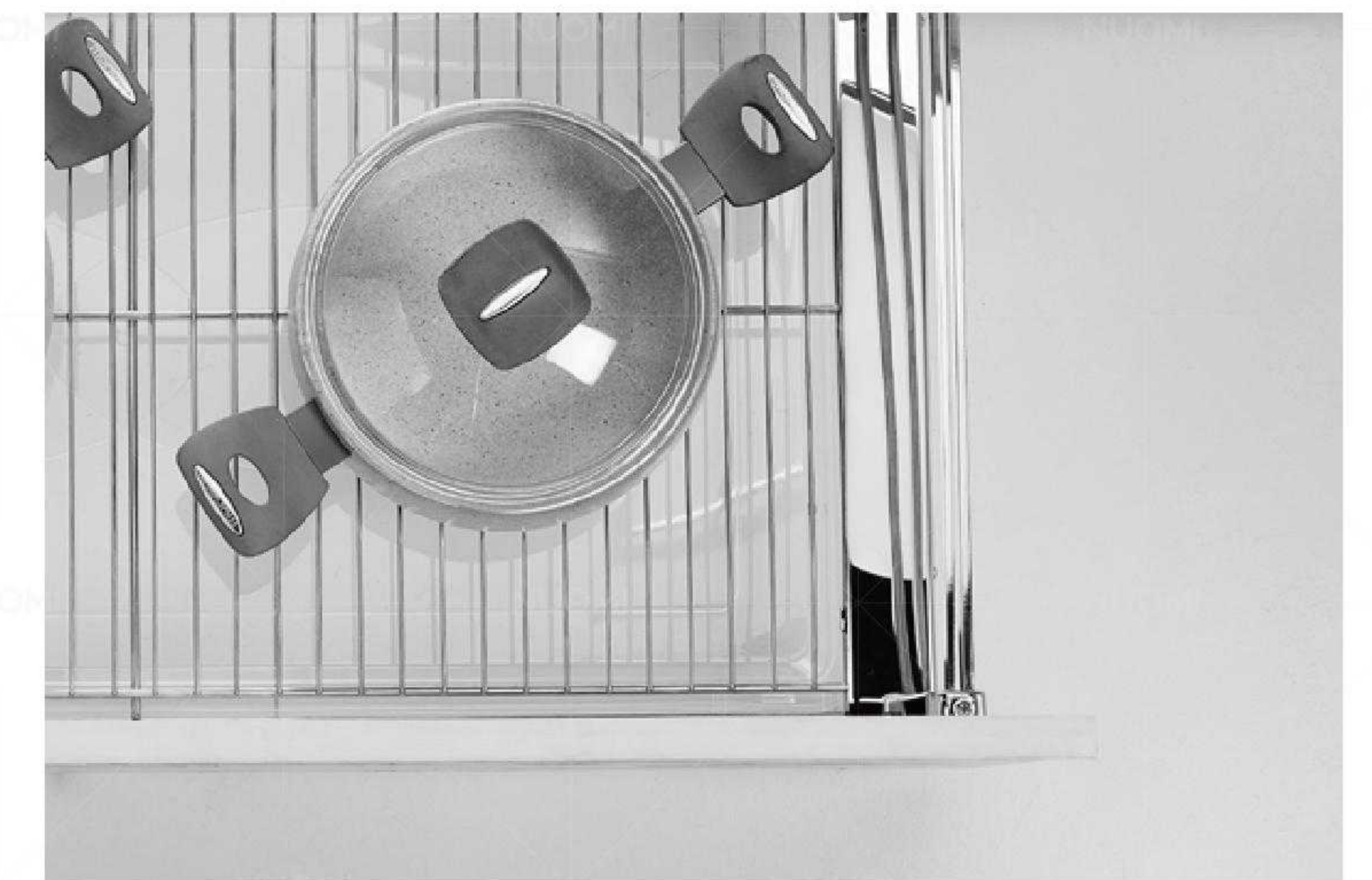
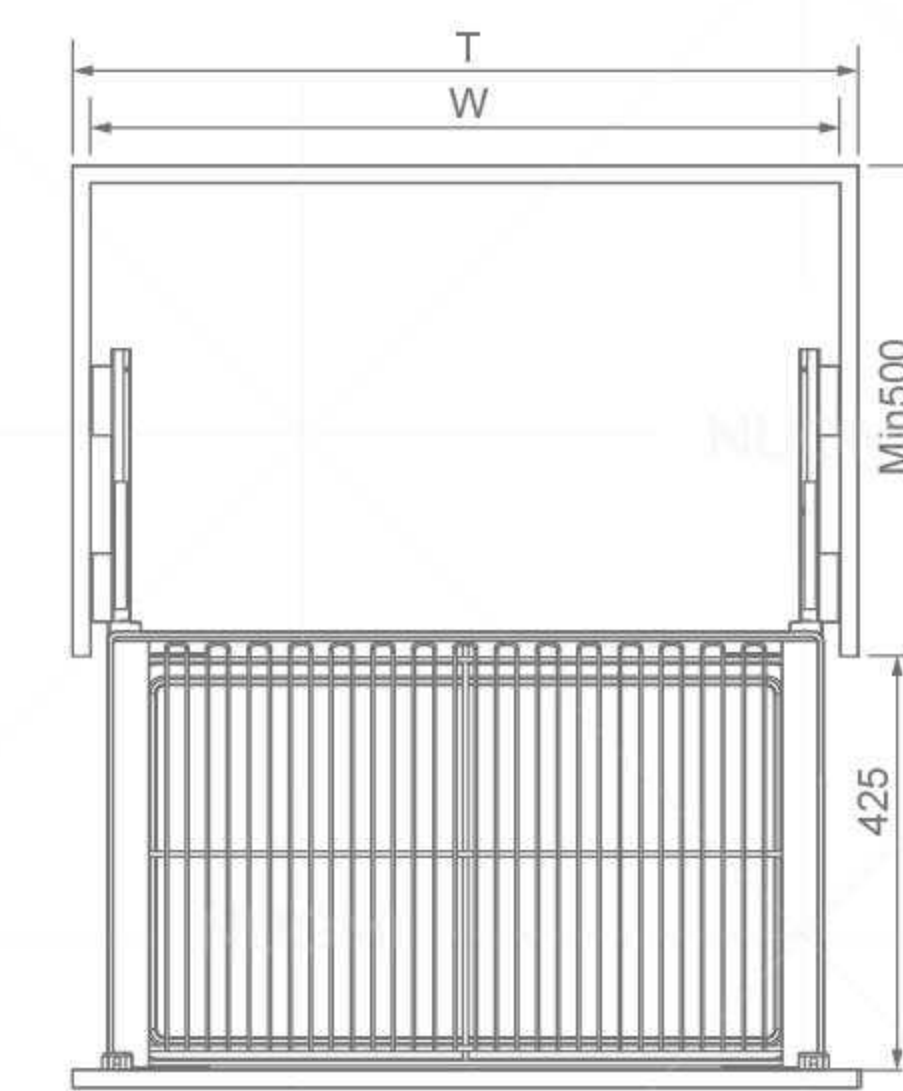




PULL-OUT BASKET 金刚三边扁线平篮

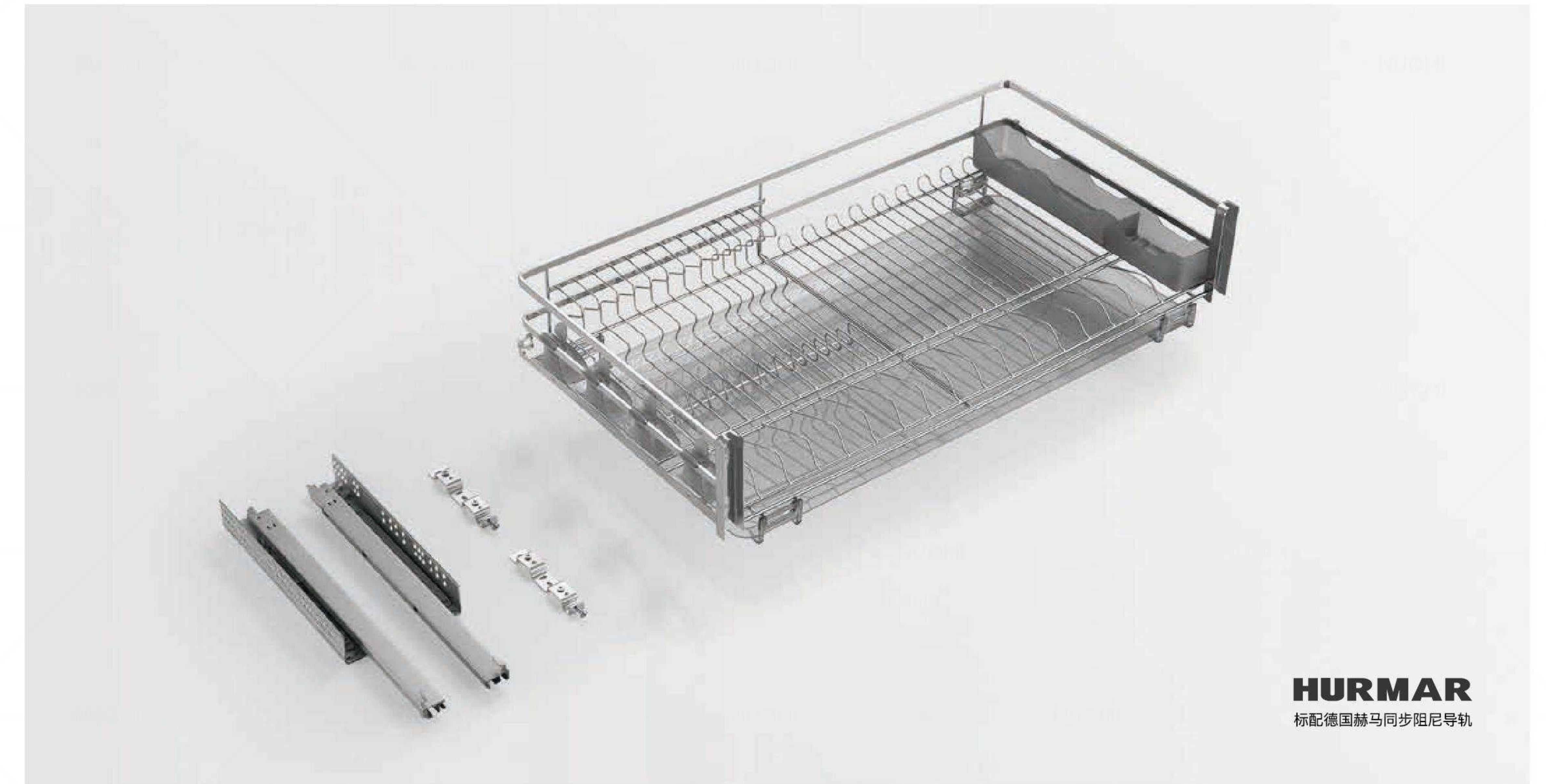


型号 Item No.	适用柜宽 (T) Cabinet width	宽度 x 深度 x 高度 Width x Depth x Height	材质 Material	表面 Surface	工艺 Process
3126001H	600mm	568x470x210mm	不锈钢 /SUS304	镀铬银 /Chromed silver	电镀铬 /Electroplated
3127001H	700mm	668x470x210mm	不锈钢 /SUS304	镀铬银 /Chromed silver	电镀铬 /Electroplated
3127201H	720mm	688x470x210mm	不锈钢 /SUS304	镀铬银 /Chromed silver	电镀铬 /Electroplated
3127501H	750mm	718x470x210mm	不锈钢 /SUS304	镀铬银 /Chromed silver	电镀铬 /Electroplated
3128001H	800mm	768x470x210mm	不锈钢 /SUS304	镀铬银 /Chromed silver	电镀铬 /Electroplated
3129001H	900mm	868x470x210mm	不锈钢 /SUS304	镀铬银 /Chromed silver	电镀铬 /Electroplated

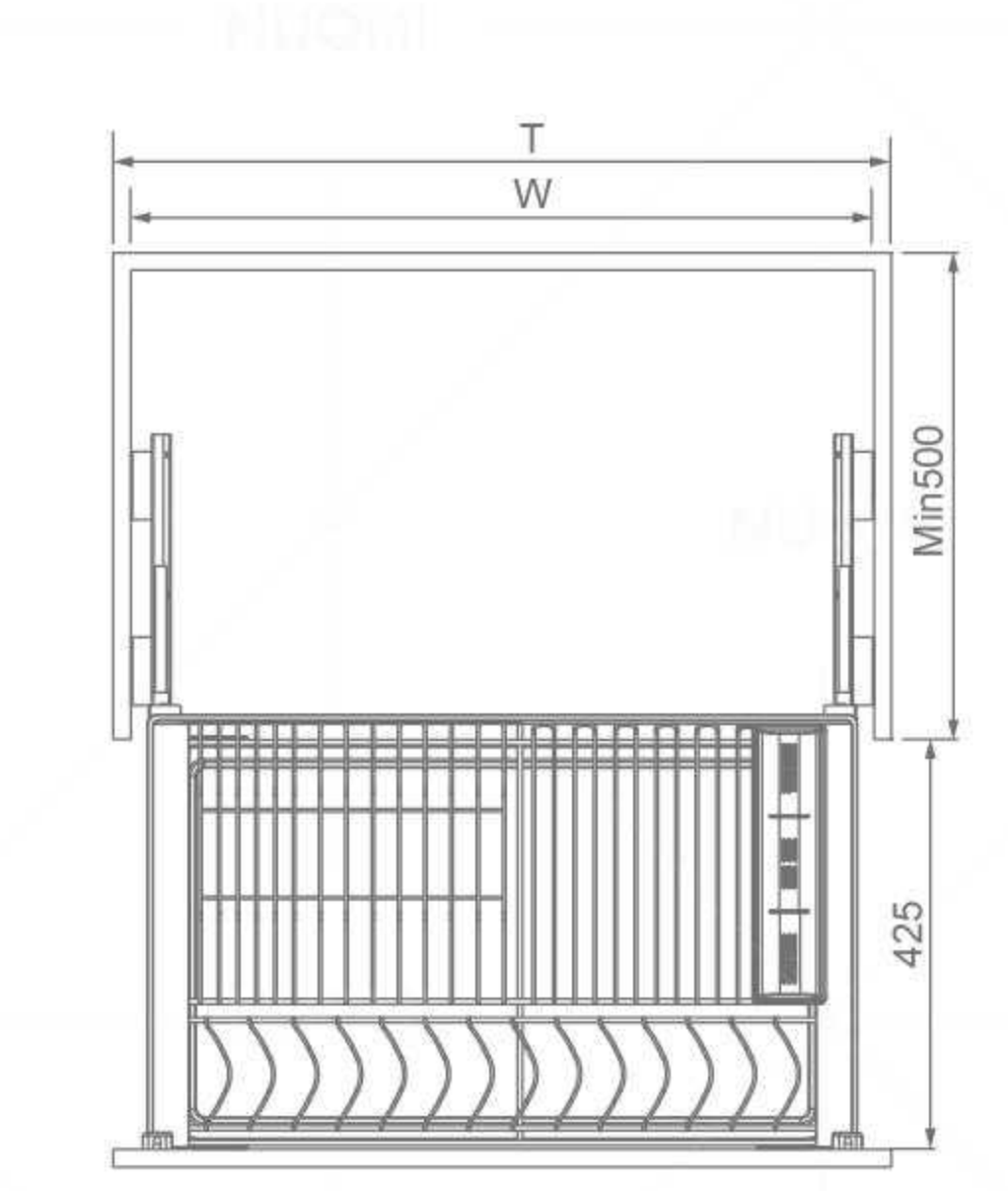




MULTIFUNCTIONAL PULL-OUT UNIT 金刚三边扁线碗碟篮



型号 Item No.	适用柜宽 (T) Cabinet width	宽度 x 深度 x 高度 Width x Depth x Height	材质 Material	表面 Surface	工艺 Process
3126002H	600mm	568x470x210mm	不锈钢 /SUS304	镀铬银 /Chromed silver	电镀铬 /Electroplated
3127002H	700mm	668x470x210mm	不锈钢 /SUS304	镀铬银 /Chromed silver	电镀铬 /Electroplated
3127202H	720mm	688x470x210mm	不锈钢 /SUS304	镀铬银 /Chromed silver	电镀铬 /Electroplated
3127502H	750mm	718x470x210mm	不锈钢 /SUS304	镀铬银 /Chromed silver	电镀铬 /Electroplated
3128002H	800mm	768x470x210mm	不锈钢 /SUS304	镀铬银 /Chromed silver	电镀铬 /Electroplated
3129002H	900mm	868x470x210mm	不锈钢 /SUS304	镀铬银 /Chromed silver	电镀铬 /Electroplated



# PULL-OUT BASKET FOR SEASONING

调味篮

Exclusive area, easy to tidy up. Each item has its own place, so you don't have to worry about how to put it, and you can easily put it away.

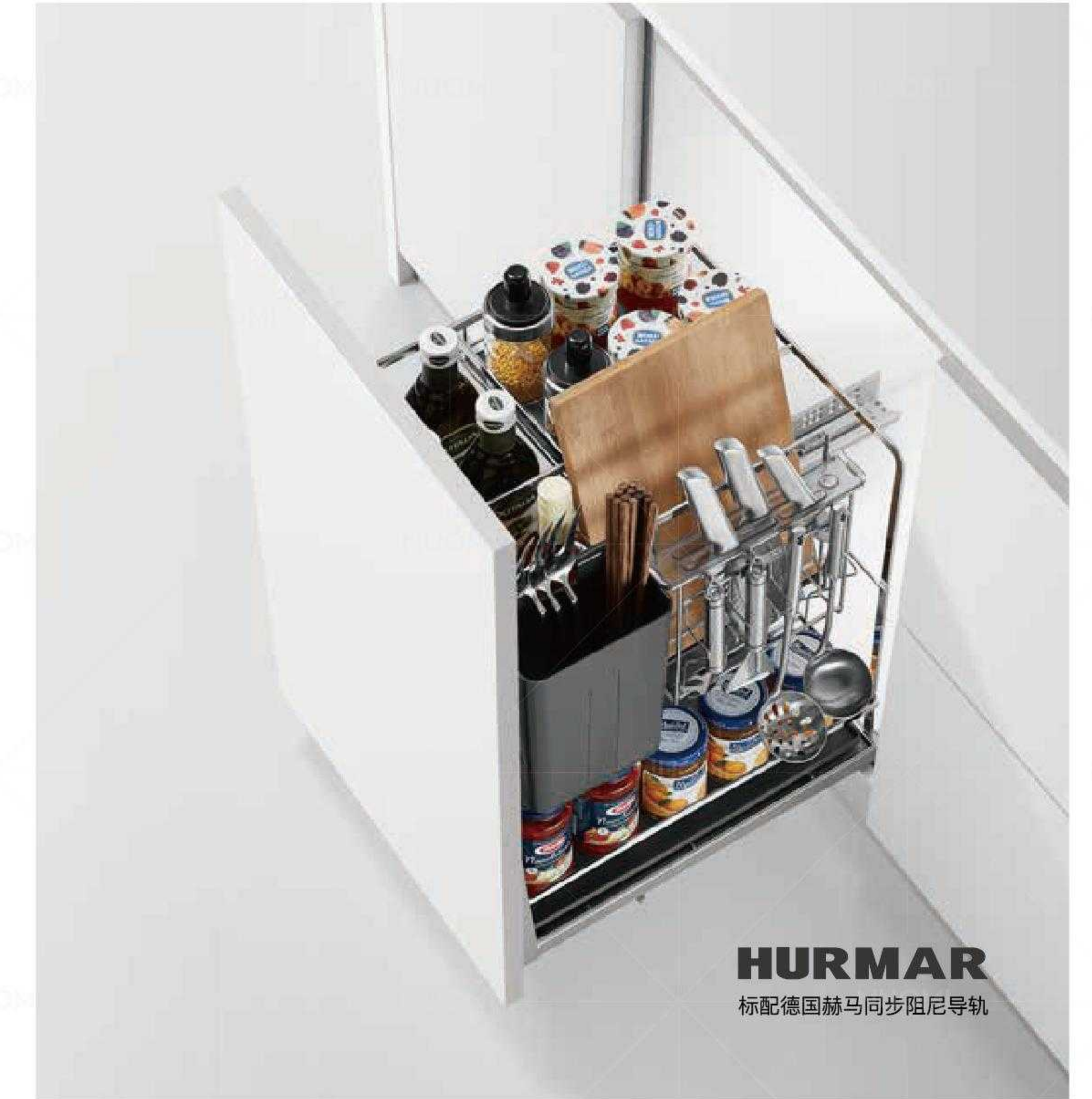
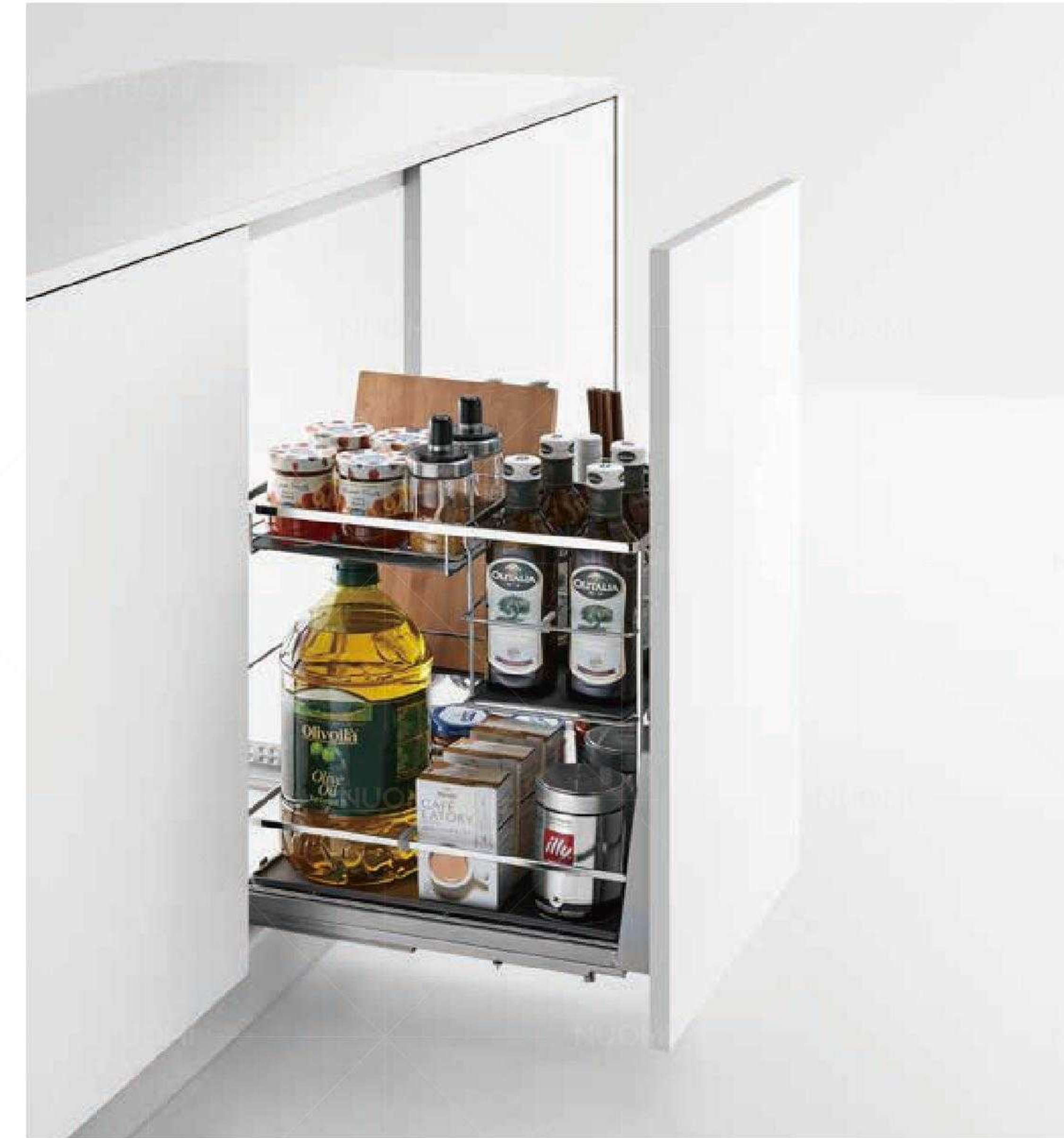
专属区域，轻松整理。每种物品都有专属位置，不用费心研究怎么摆放，轻轻松松就能整齐收纳。



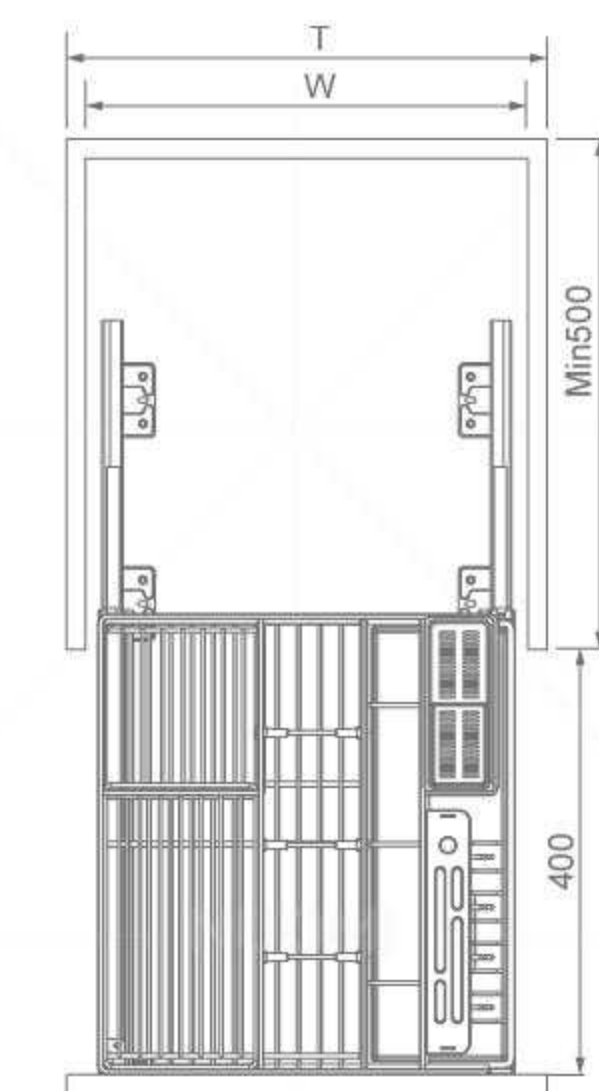




PULL-OUT BASKET FOR SEASONING 金刚调味篮



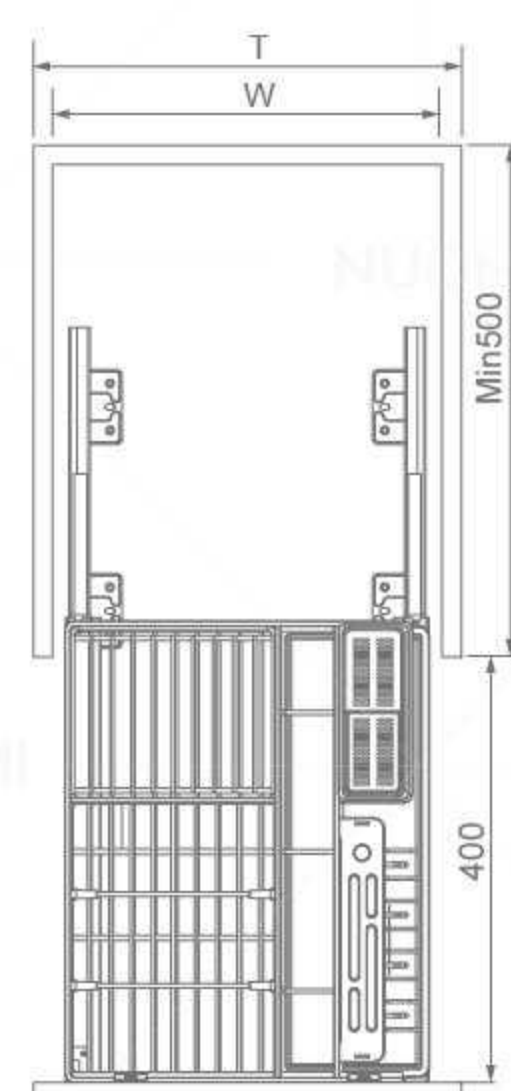
型号 Item No.	适用柜宽 (T) Cabinet width	宽度 x 深度 x 高度 Width x Depth x Height	材质 Material	表面 Surface	工艺 Process
3124501H	450mm	414x460x480mm	不锈钢 /SUS304	镀铬银 /Chromed silver	电镀铬 /Electroplated



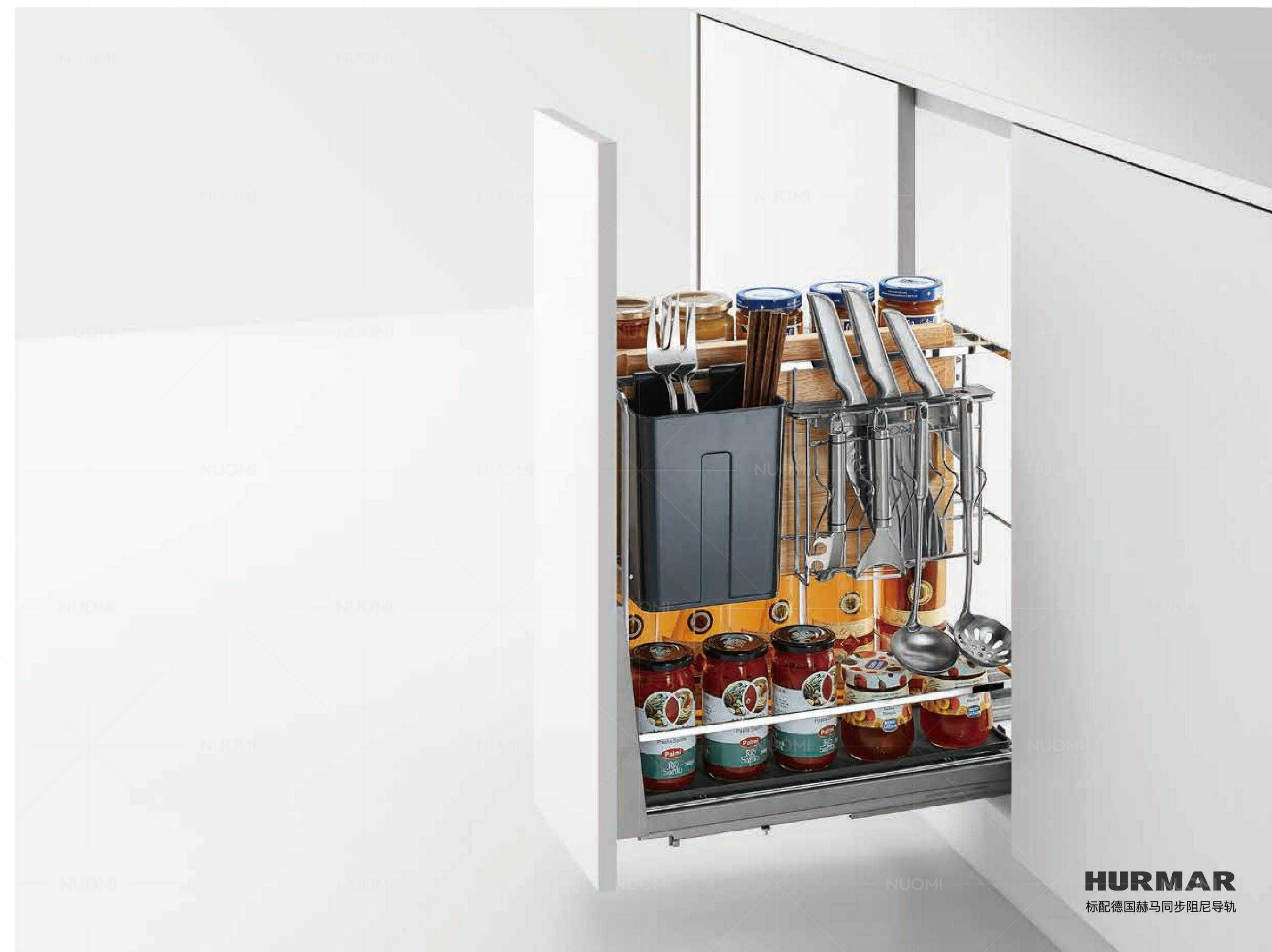
PULL-OUT BASKET FOR SEASONING 金刚调味篮



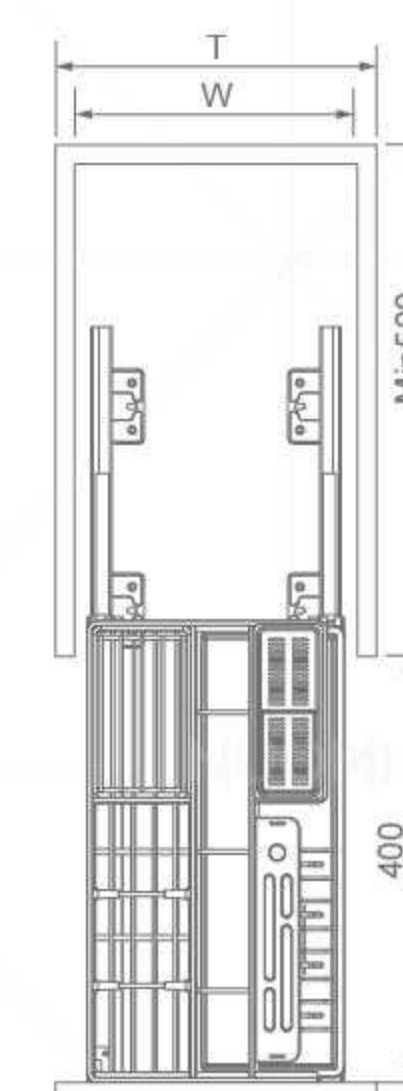
型号 Item No.	适用柜宽 (T) Cabinet width	宽度 x 深度 x 高度 Width x Depth x Height	材质 Material	表面 Surface	工艺 Process
3124001H	400mm	364x460x480mm	不锈钢 /SUS304	镀铬银 /Chromed silver	电镀铬 /Electroplated



PULL-OUT BASKET FOR SEASONING 金刚调味篮



型号 Item No.	适用柜宽 (T) Cabinet width	宽度 x 深度 x 高度 Width x Depth x Height	材质 Material	表面 Surface	工艺 Process
3123501H	350mm	314x460x480mm	不锈钢 /SUS304	镀铬银 /Chromed silver	电镀铬 /Electroplated
3123001H	300mm	264x460x480mm	不锈钢 /SUS304	镀铬银 /Chromed silver	电镀铬 /Electroplated



# GEEK

极克系列

Exclusive area, easy to tidy up. Each item has its own place, so you don't have to worry about how to put it, and you can easily put it away.

专属区域，轻松整理。每种物品都有专属位置，不用费心研究怎么摆放，轻轻松松就能整齐收纳。





Corner units  
Function and technology 功能与技术



防腐抗锈  
Super rust-resistant

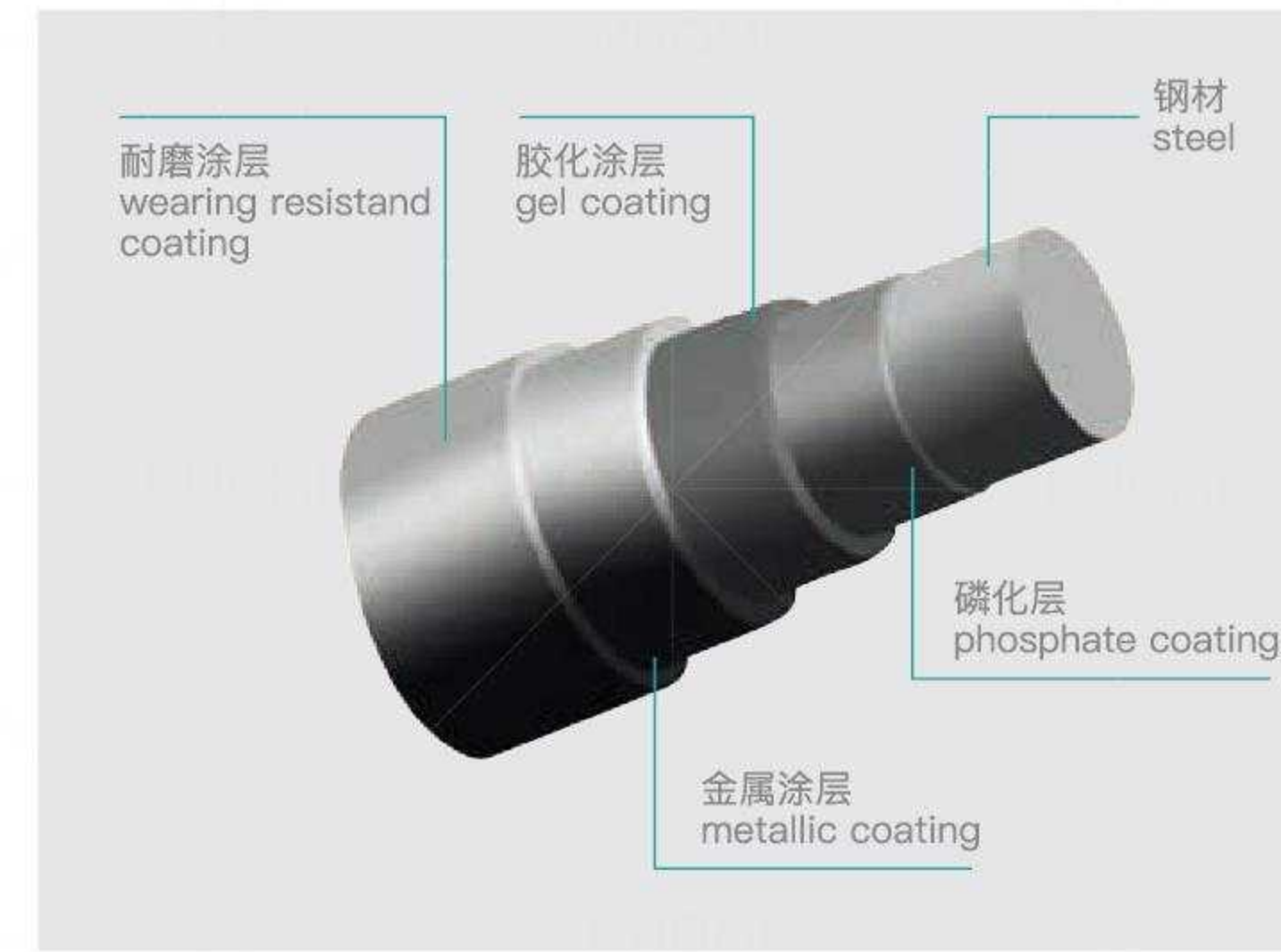


超强防腐抗锈能力

欧标环保纳米干镀，无惧厨房潮湿环境，防腐蚀、抗生锈。

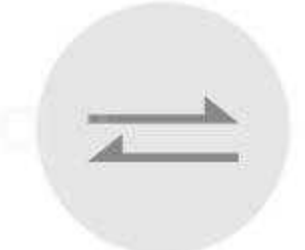
168  
hours

纳米干镀  
SGS 168 hours salty-spray



通过 168 小时盐雾测试

篮体采用优质钢材，四层纳米干镀表面处理工艺，赋予超强防锈能力，通过 168 小时盐雾测试，永不生锈。

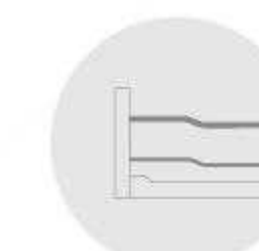


阻尼导轨  
Soft-close slide



精密耐用阻尼导轨

导轨运行平稳静谧，缓冲减震，最大承重 30KG，通过欧标 80000 次运动测试。



颜值设计  
Unique design



颜值线条造型

极简线条造型，颜值更高，结构科学。

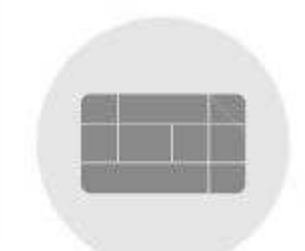


实用收纳  
Multifunctional design



餐具收纳盒

多功能收纳，功能更丰富。筷子架空放置，整洁卫生。



功能强大  
Super storage

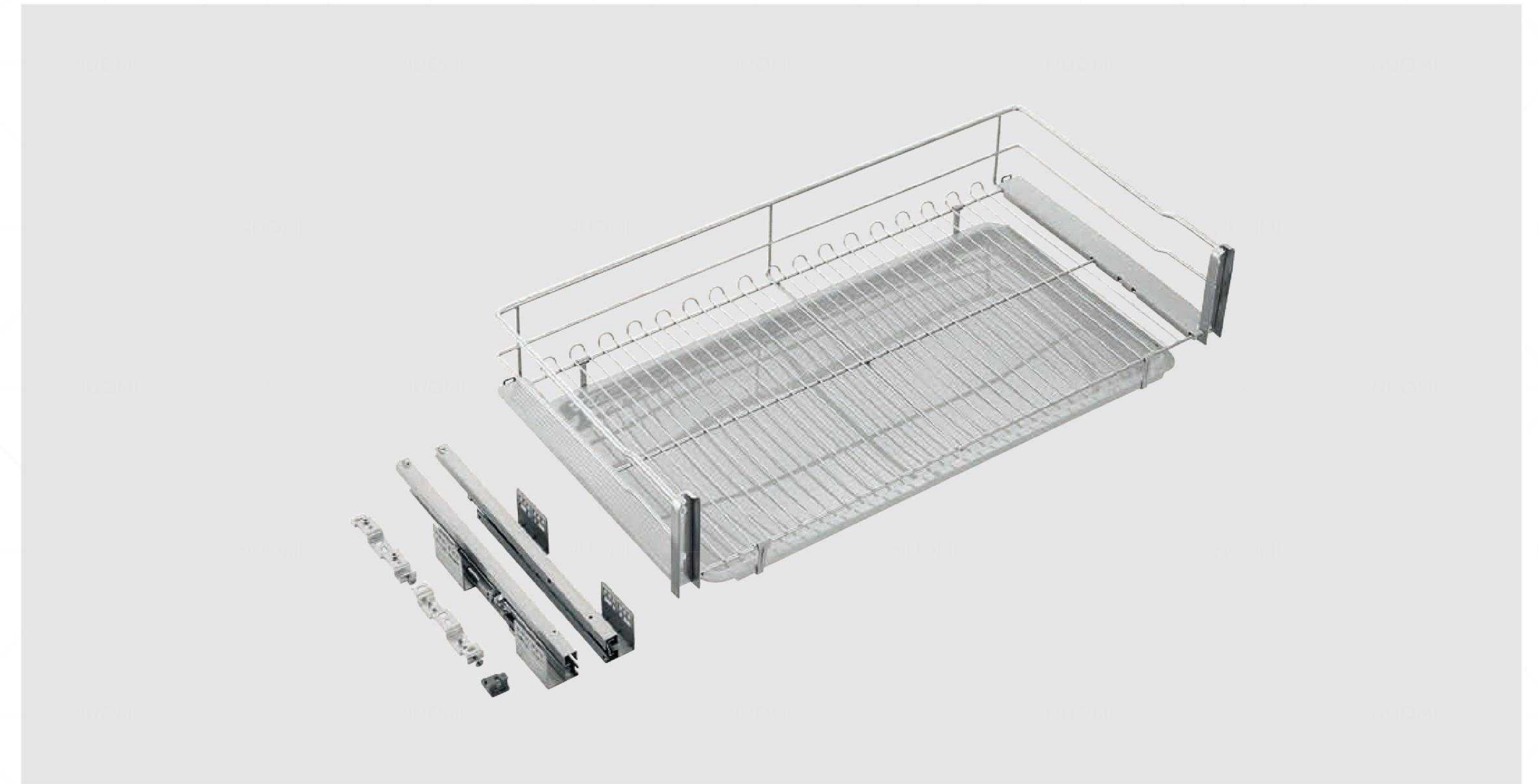


大容量收纳空间

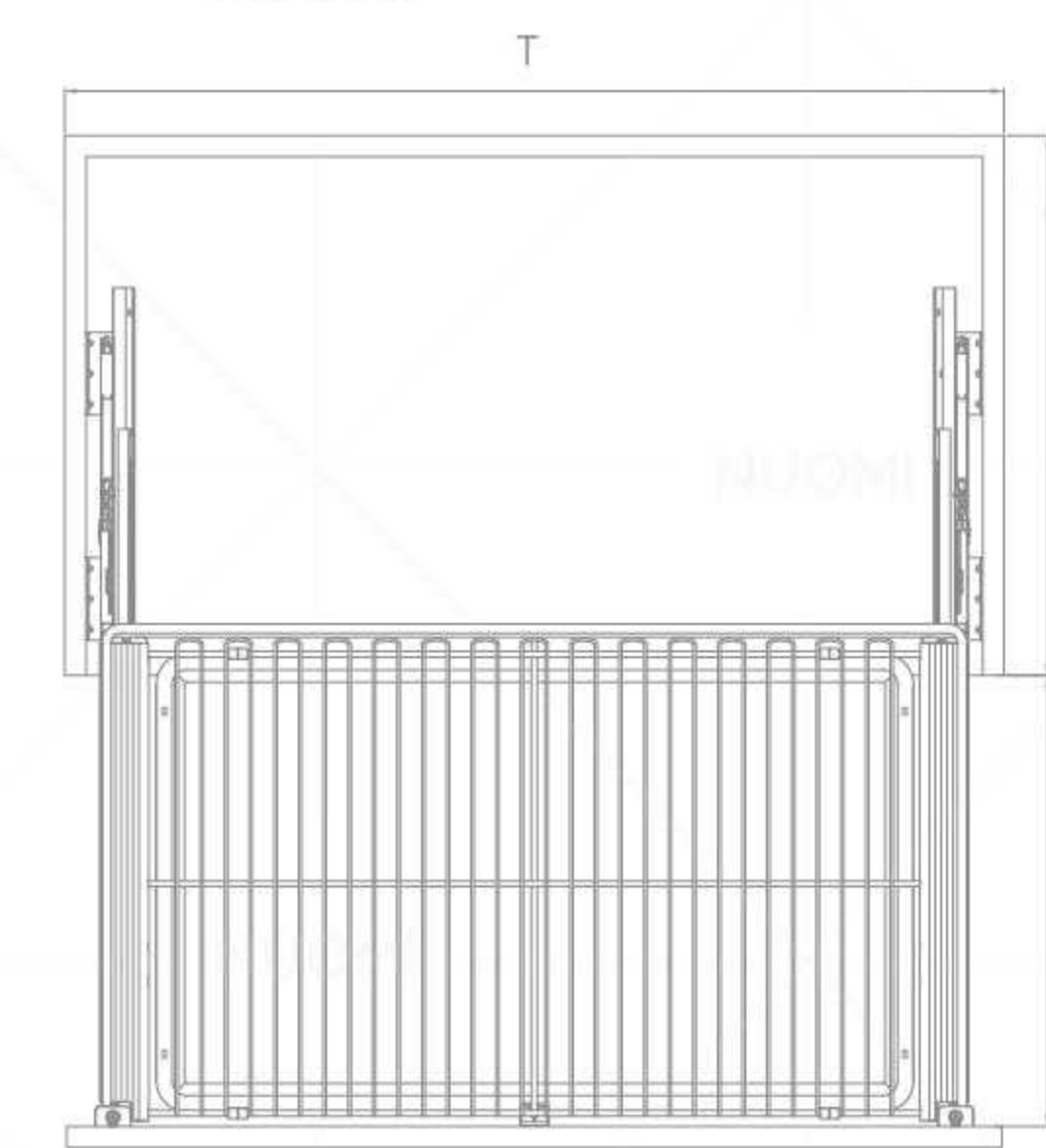
科学合理收纳分区设置，满足各种大小尺寸的碗碟、筷子、汤勺、锅铲、杯子、汤锅等日常厨房用品存储。



GEEK THREE-SIDED FLAT BASKET 极克三边圆线平篮

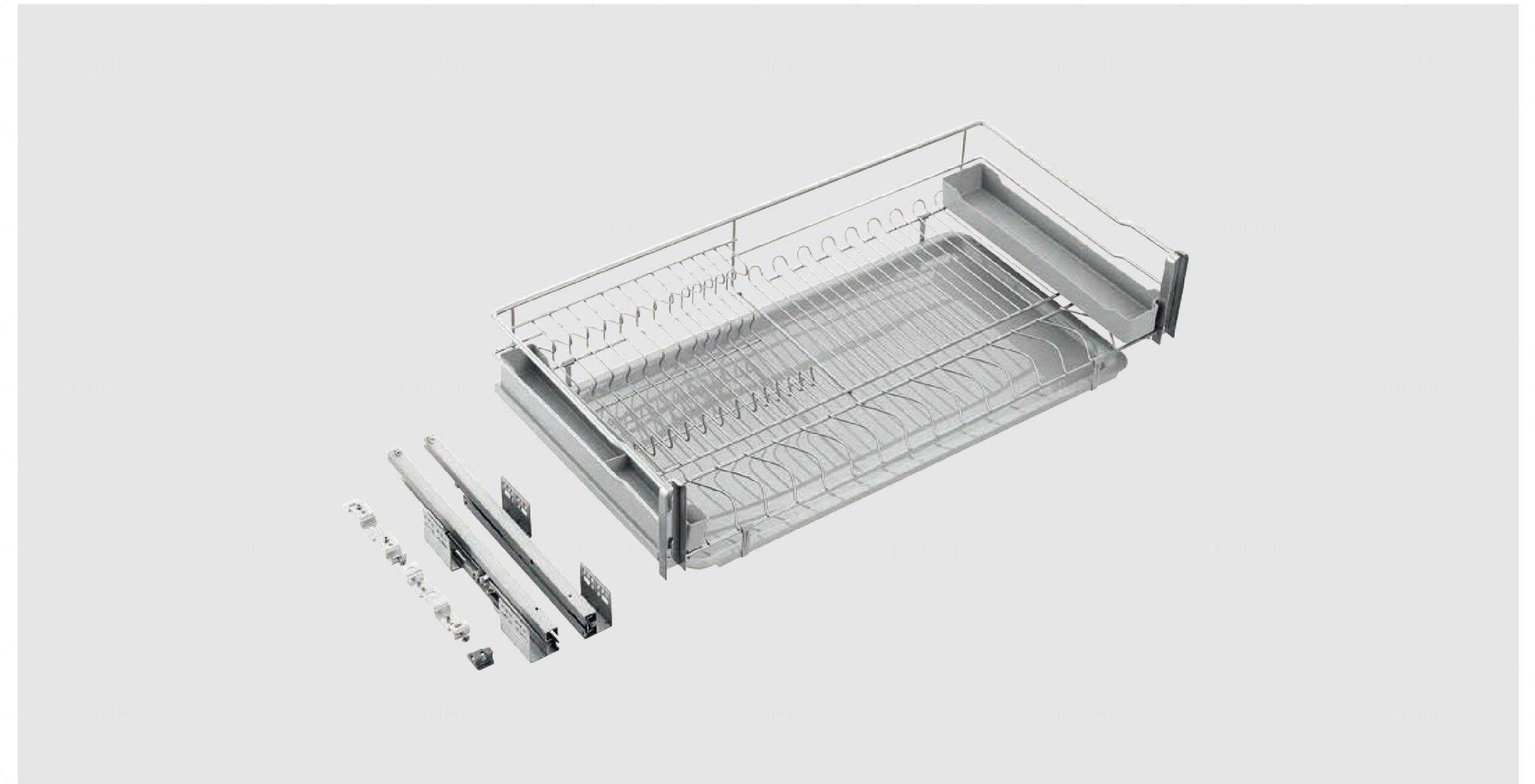


型号 Item No.	适用柜宽 (T) Cabinet width	宽度 x 深度 x 高度 Width x Depth x Height	材质 Material	工艺 Process
3196001	600mm	564x430x200mm	碳钢 / Carbon steel	纳米干镀 / Nano dry plating
3197001	700mm	664x430x200mm	碳钢 / Carbon steel	纳米干镀 / Nano dry plating
3197201	720mm	684x430x200mm	碳钢 / Carbon steel	纳米干镀 / Nano dry plating
3197501	750mm	714x430x200mm	碳钢 / Carbon steel	纳米干镀 / Nano dry plating
3198001	800mm	764x430x200mm	碳钢 / Carbon steel	纳米干镀 / Nano dry plating
3199001	900mm	864x430x200mm	碳钢 / Carbon steel	纳米干镀 / Nano dry plating

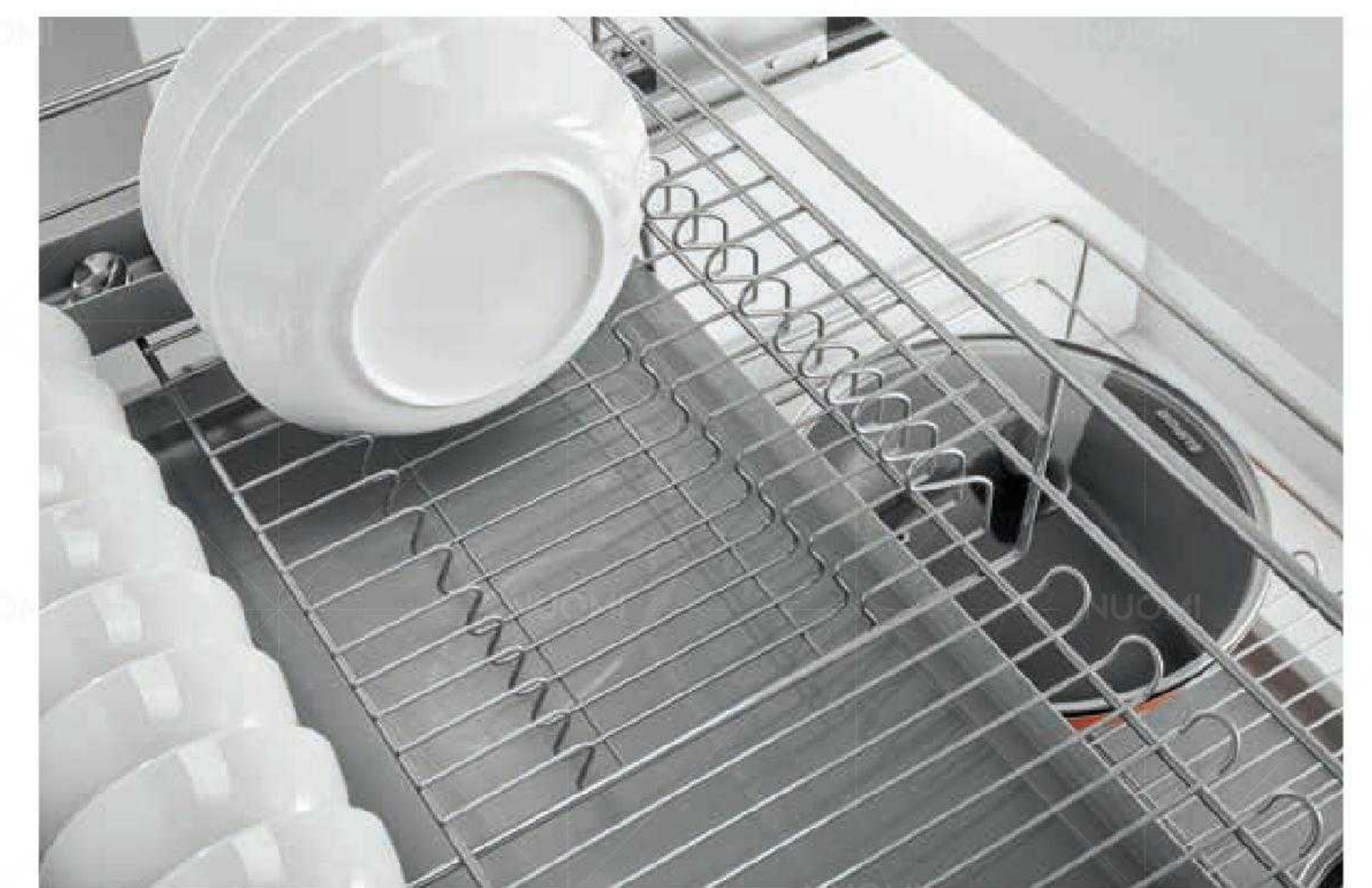
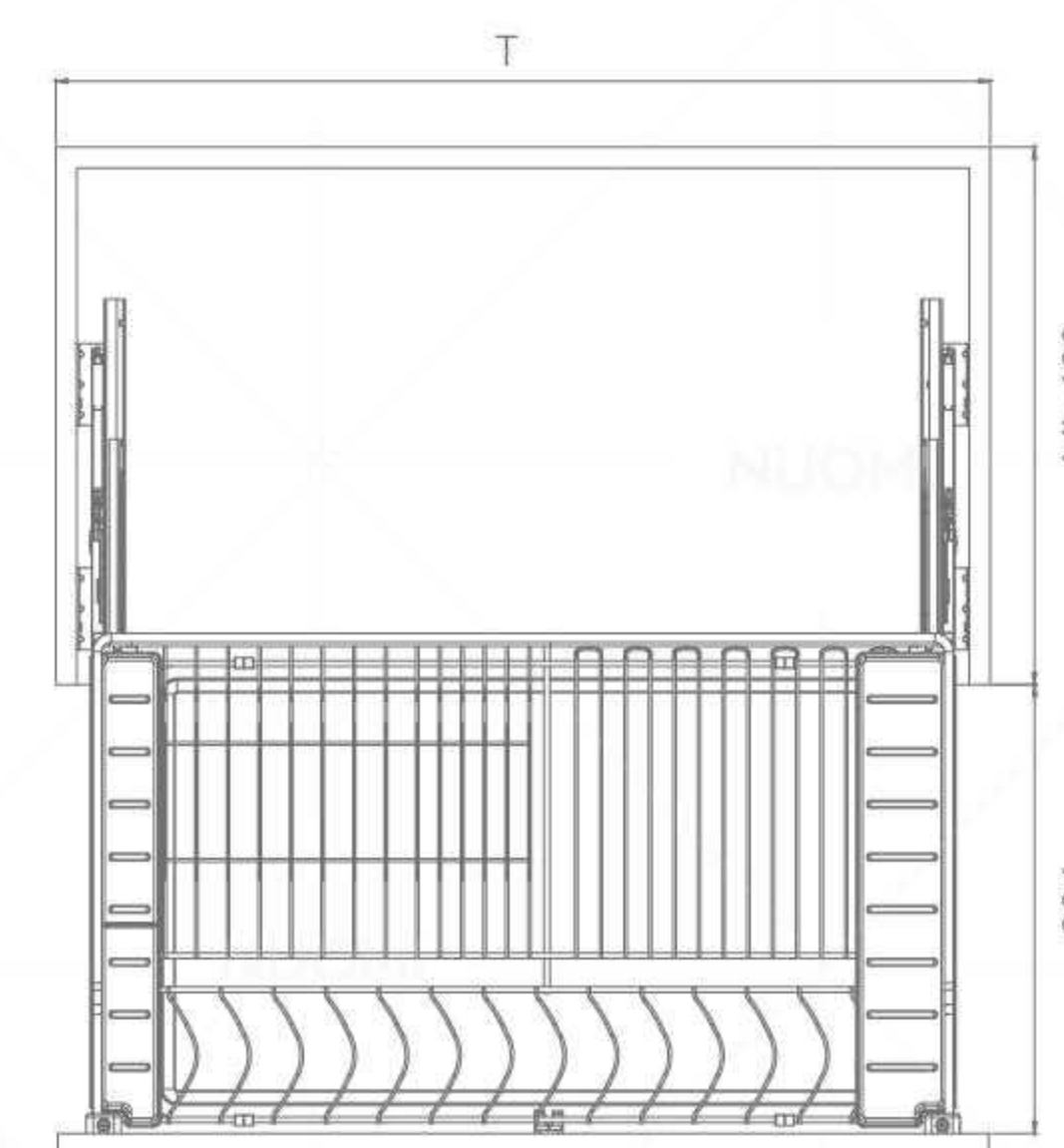




GEEK THREE-SIDED BOWL BASKET 极克三边圆线碗篮

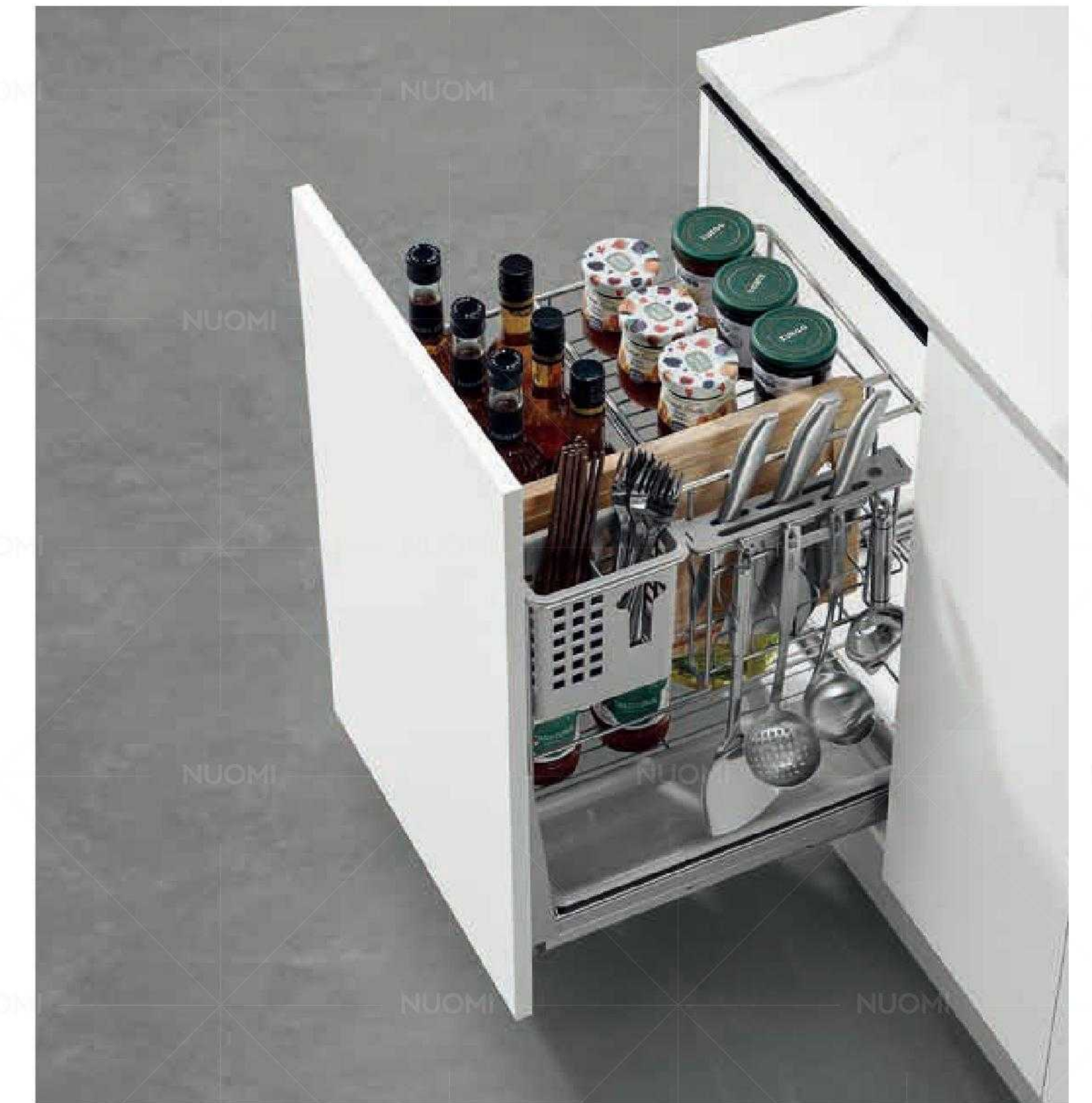
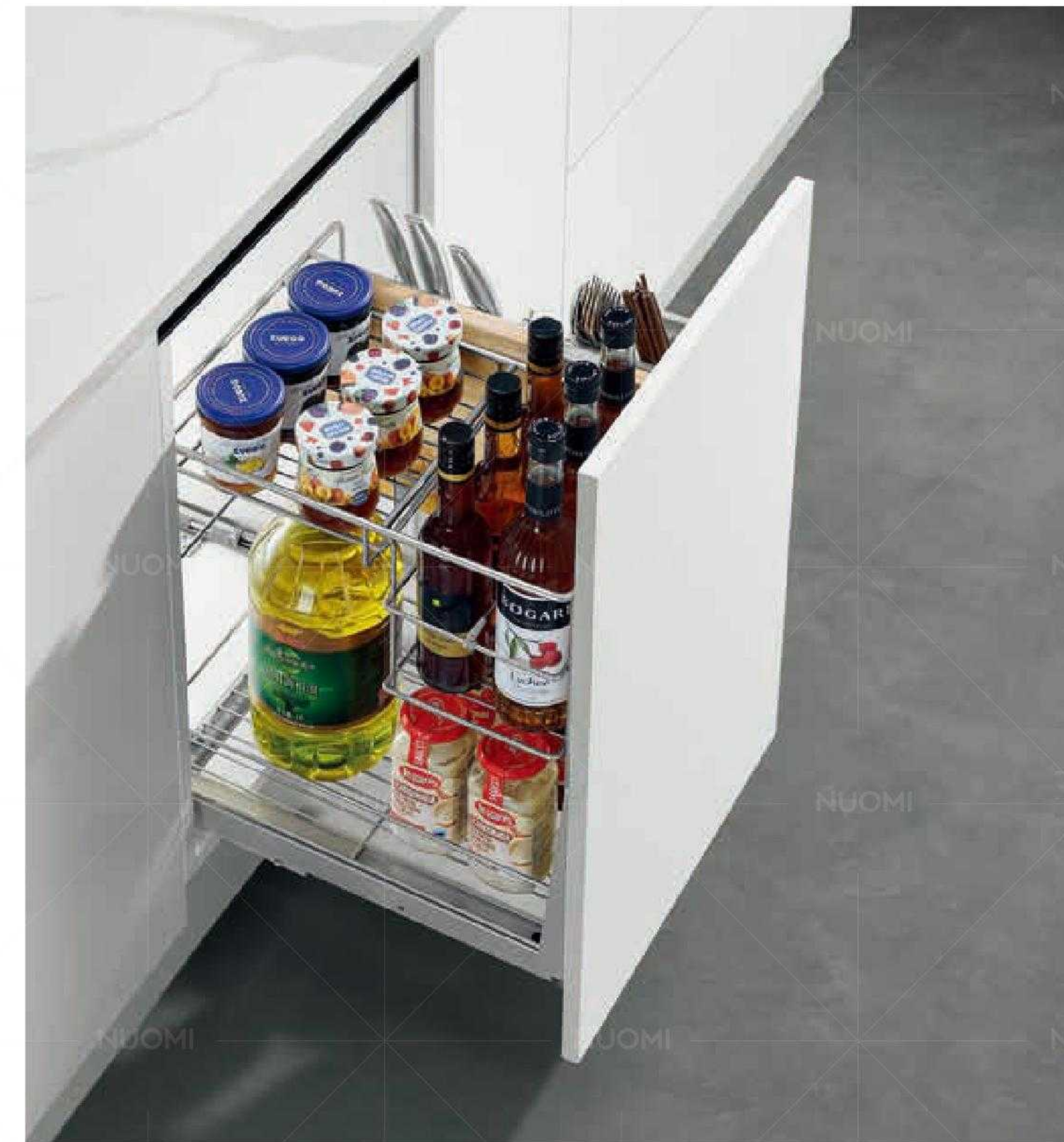


型号 Item No.	适用柜宽 (T) Cabinet width	宽度 x 深度 x 高度 Width x Depth x Height	材质 Material	工艺 Process
3196002	600mm	564x430x200mm	碳钢 / Carbon steel	纳米干镀 / Nano dry plating
3197002	700mm	664x430x200mm	碳钢 / Carbon steel	纳米干镀 / Nano dry plating
3197202	720mm	684x430x200mm	碳钢 / Carbon steel	纳米干镀 / Nano dry plating
3197502	750mm	714x430x200mm	碳钢 / Carbon steel	纳米干镀 / Nano dry plating
3198002	800mm	764x430x200mm	碳钢 / Carbon steel	纳米干镀 / Nano dry plating
3199002	900mm	864x430x200mm	碳钢 / Carbon steel	纳米干镀 / Nano dry plating

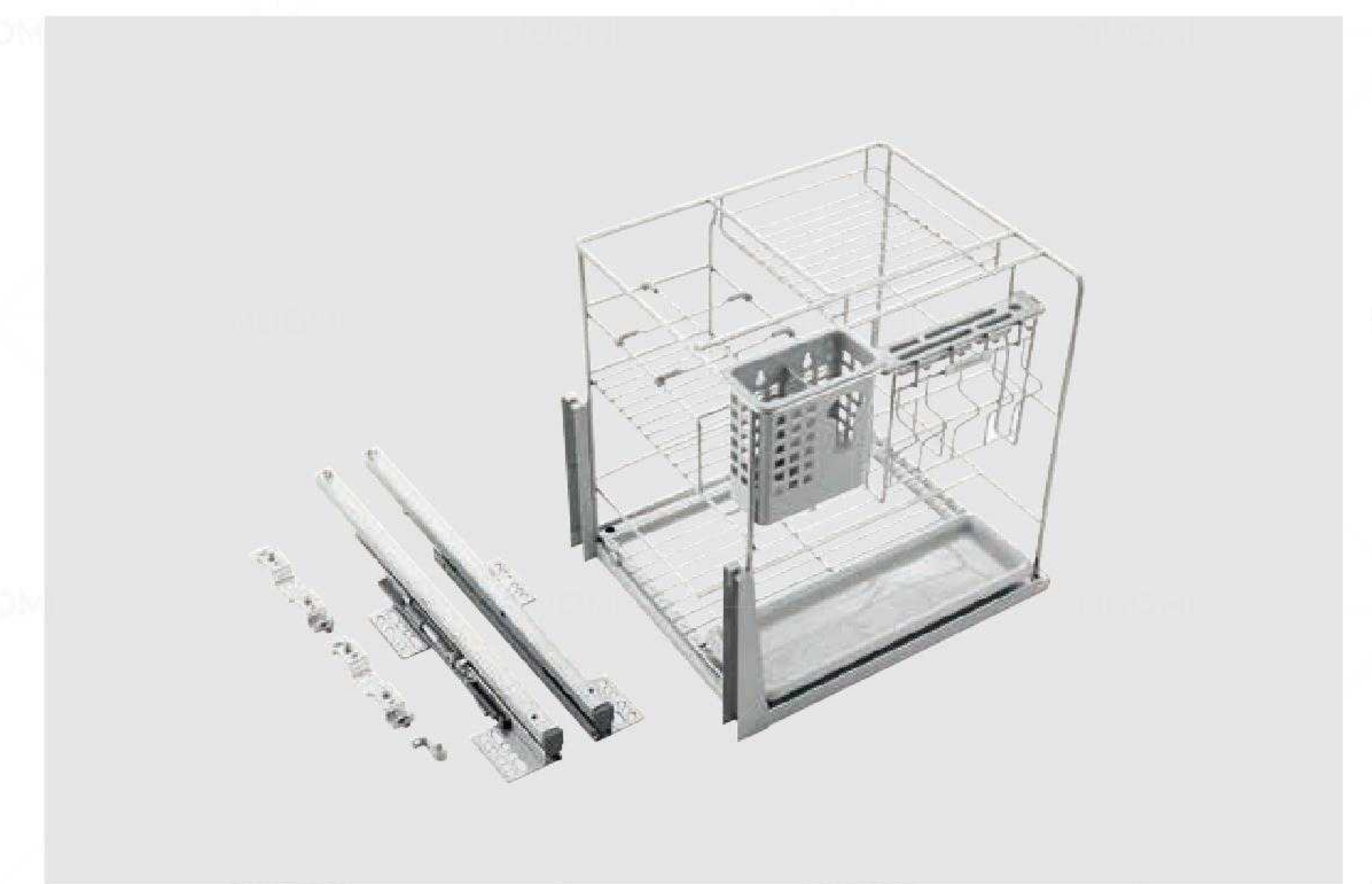
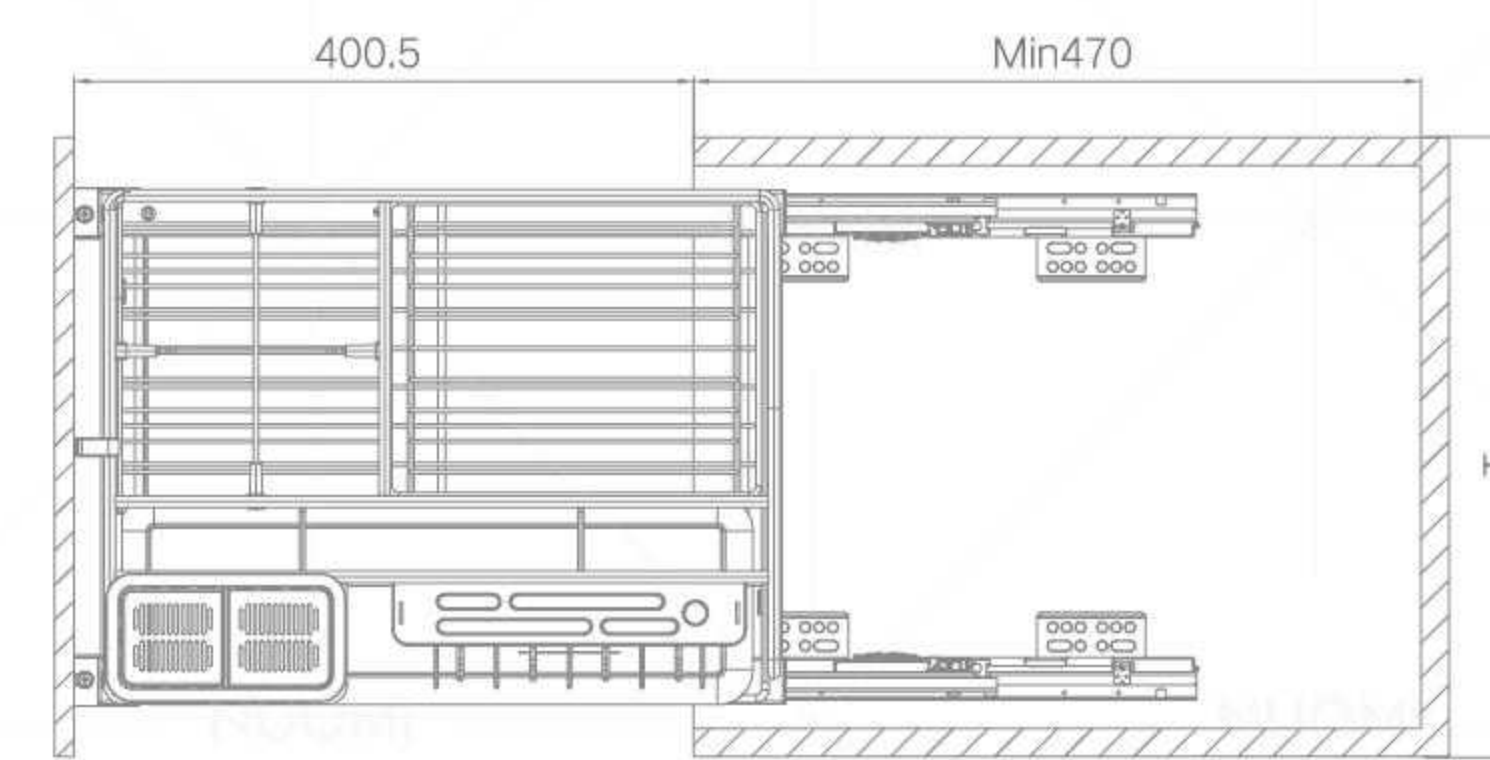




GEEK SEASONING BASKET 极克调味篮

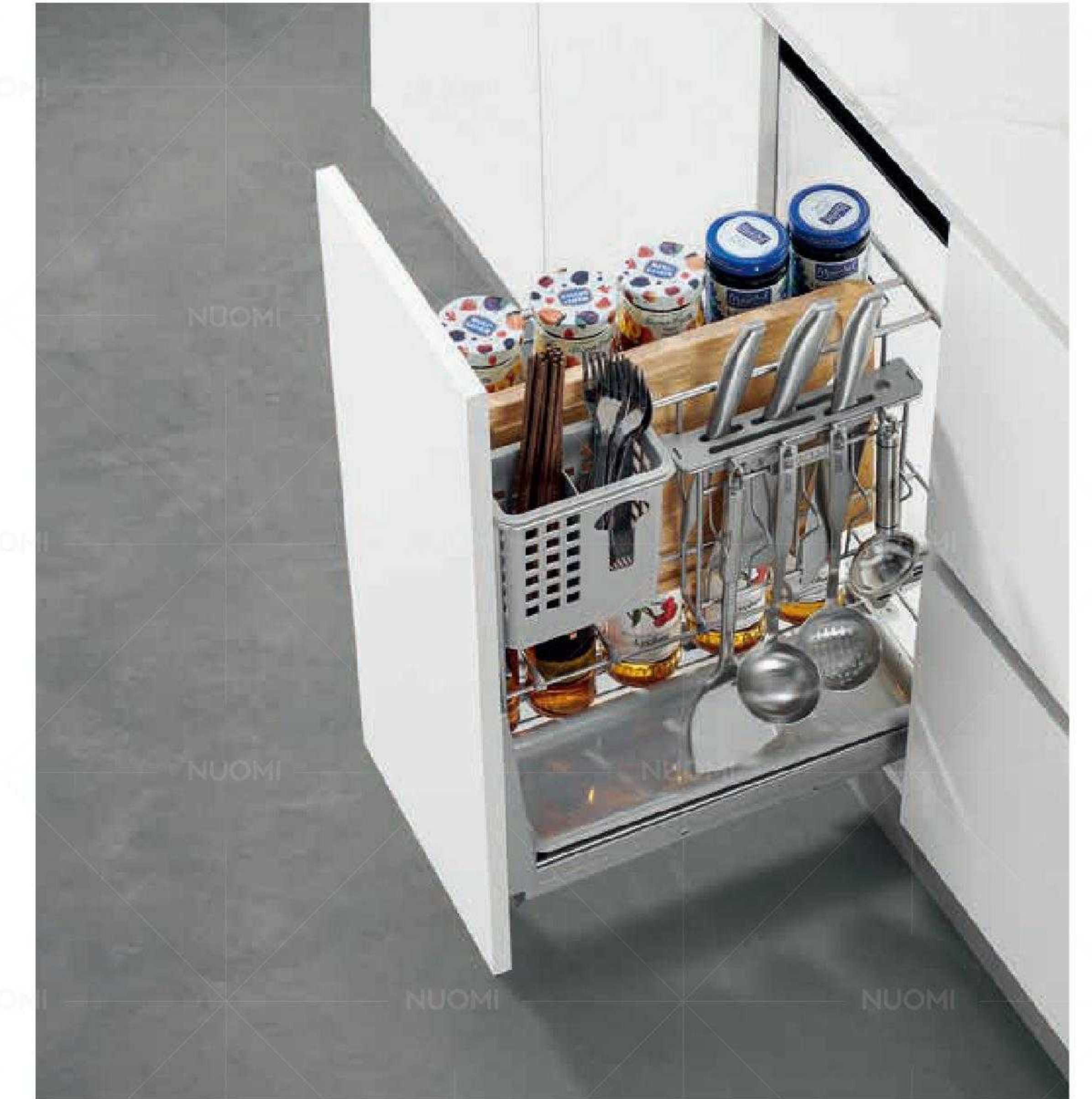
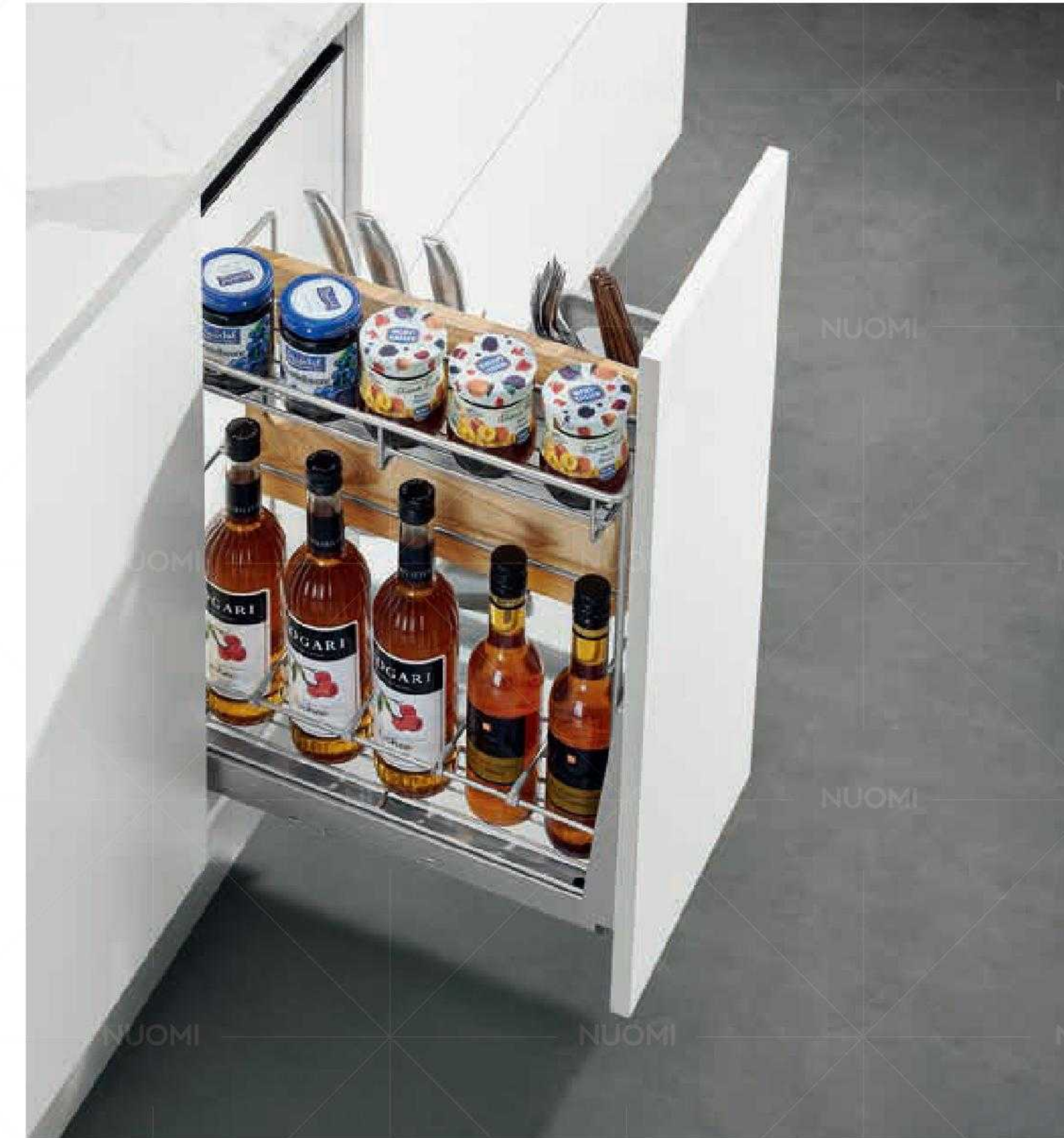


型号 Item No.	适用柜宽 (T) Cabinet width	宽度 x 深度 x 高度 Width x Depth x Height	材质 Material	工艺 Process
3194001	400mm	335x460x500mm	碳钢 / Carbon steel	纳米干镀 / Nano dry plating
3194501	450mm	385x460x500mm	碳钢 / Carbon steel	纳米干镀 / Nano dry plating

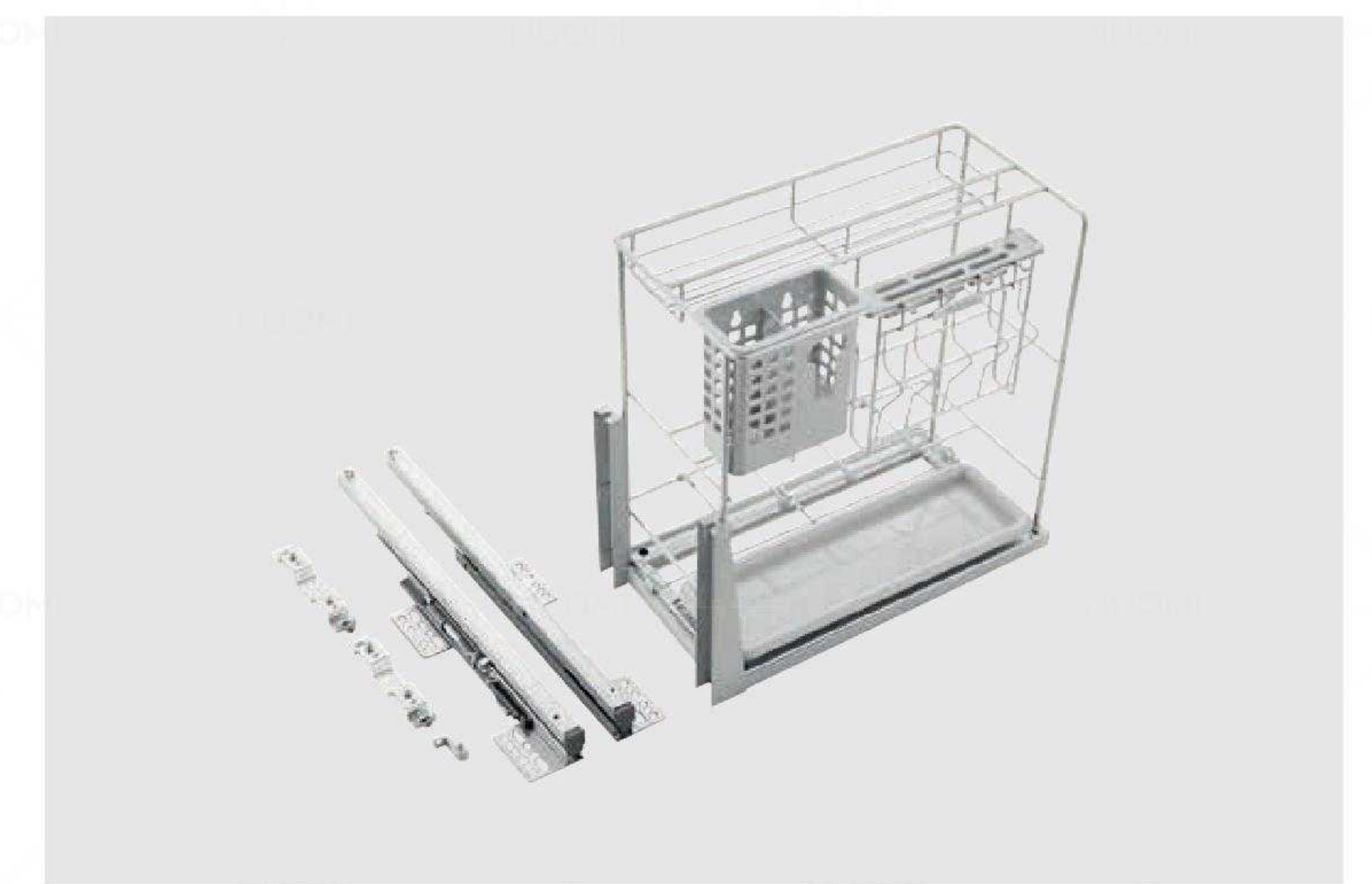
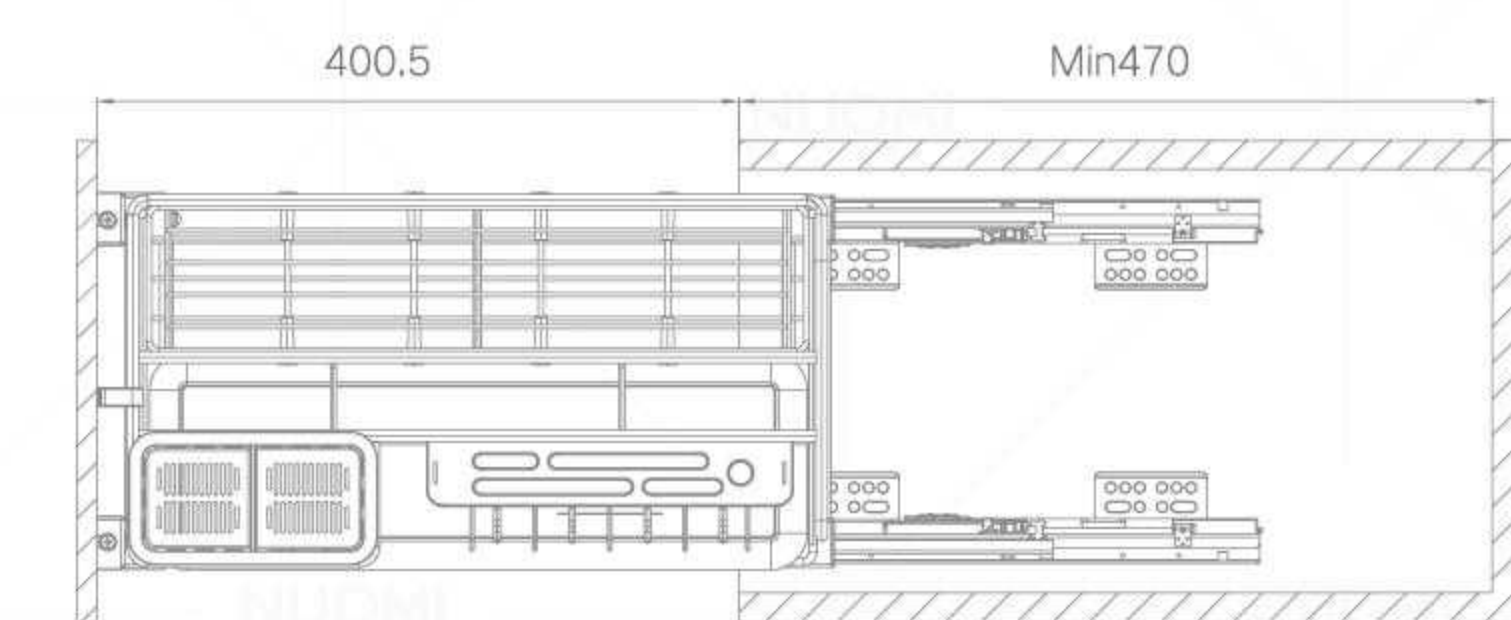




GEEK SEASONING BASKET 极克调味篮



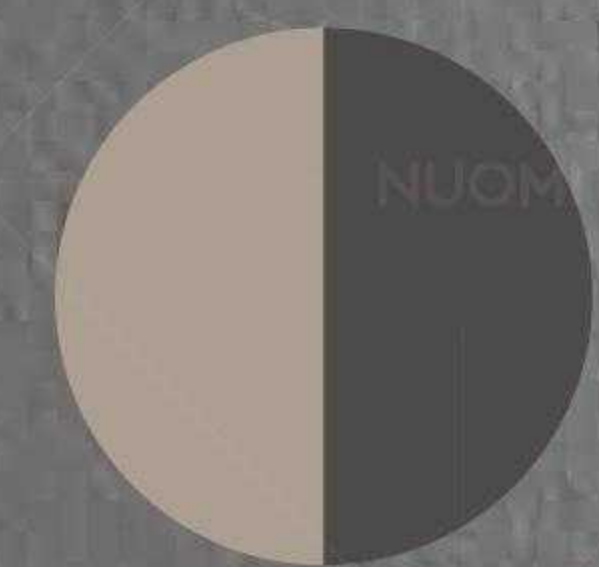
型号 Item No.	适用柜宽 (T) Cabinet width	宽度 x 深度 x 高度 Width x Depth x Height	材质 Material	工艺 Process
3193001	300mm	235x460x500mm	碳钢 / Carbon steel	纳米干镀 / Nano dry plating
3193501	350mm	285x460x500mm	碳钢 / Carbon steel	纳米干镀 / Nano dry plating





# OTHER KITCHEN STORAGE PRODUCT

配套产品



GUSTAPTIONAL COLOR

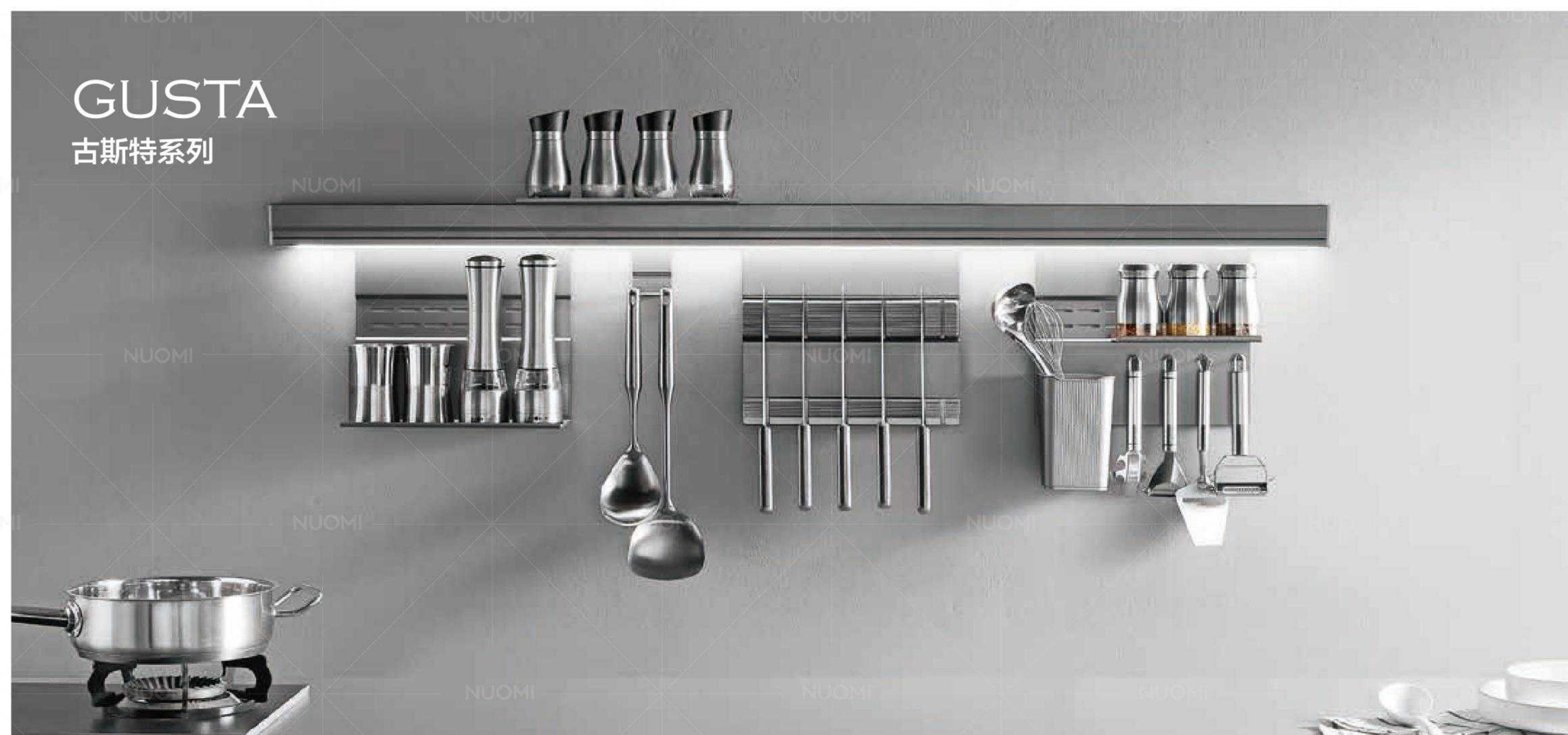
古斯特系列可选颜色

CHAMPAGNE GOLD/HIGHCLASS GREY

香槟金 / 太郎灰



GUSTA  
古斯特系列



名称 Name	挂杆型号 Item No.(hanging bar)	名称 Name	套餐型号 Item No.(rack set)	长度 Length	颜色 Color
挂架 1000 杆 (不带灯)/Without lighting	4031104	古斯特 A 套餐 /GUSTA set A	4031021	1000mm	太郎灰 Highclass grey



名称 Name	挂杆型号 Item No.(hanging bar)	名称 Name	套餐型号 Item No.(rack set)	长度 Length	颜色 Color
挂架 700 杆 (不带灯)/Without lighting	4031074	古斯特 C 套餐 /GUSTA set C	4031023	700mm	太郎灰 Highclass grey



名称 Name	挂杆型号 Item No.(hanging bar)	名称 Name	套餐型号 Item No.(rack set)	长度 Length	颜色 Color
挂架 700 杆 (不带灯)/Without lighting	4031074	古斯特 B 套餐 /GUSTA set B	4031022	700mm	太郎灰 Highclass grey



名称 Name	挂杆型号 Item No.(hanging bar)	名称 Name	套餐型号 Item No.(rack set)	长度 Length	颜色 Color
挂架 700 杆 (不带灯)/Without lighting	4031074	古斯特 D 套餐 /GUSTA set D	4031024	700mm	太郎灰 Highclass grey

SUS304  
不锈钢



型号 Item No.	名称 Name	宽度 x 深度 x 高度 Width x Depth x Height	材质 Material	表面 Surface
不锈钢挂架 C 套餐	多功能挂刀架	333x115x200mm	不锈钢 /SUS304	拉丝 /Wire drawing
4030010	单层带围栏调味品架	333x115x200mm	不锈钢 /SUS304	拉丝 /Wire drawing
Set C	方筒储物架	111x115x300mm	不锈钢 /SUS304	拉丝 /Wire drawing
	挂杆 (含封头)	904x16x40mm	不锈钢 /SUS304	拉丝 /Wire drawing



型号 Item No.	名称 Name	宽度 x 深度 x 高度 Width x Depth x Height	材质 Material	表面 Surface
不锈钢挂架 D 套餐	单层带围栏调味品架	333x115x200mm	不锈钢 /SUS304	拉丝 /Wire drawing
4030011	锅盖挂架	166x115x200mm	不锈钢 /SUS304	拉丝 /Wire drawing
Set D	五位挂钩	166.5x45x70mm	不锈钢 /SUS304	拉丝 /Wire drawing
	挂杆 (含封头)	904x16x40mm	不锈钢 /SUS304	拉丝 /Wire drawing



型号 Item No.	名称 Name	宽度 x 深度 x 高度 Width x Depth x Height	材质 Material	表面 Surface
不锈钢挂架 A 套餐	多功能挂刀架	333x115x200mm	不锈钢 /SUS304	拉丝 /Wire drawing
4030008	方筒储物架	111x115x300mm	不锈钢 /SUS304	拉丝 /Wire drawing
Set A	挂杆 (含封头)	604x16x40mm	不锈钢 /SUS304	拉丝 /Wire drawing



型号 Item No.	名称 Name	宽度 x 深度 x 高度 Width x Depth x Height	材质 Material	表面 Surface
不锈钢挂架 B 套餐	围栏调味品架	333x115x200mm	不锈钢 /SUS304	拉丝 /Wire drawing
4030009	五位挂钩	166.5x45x70mm	不锈钢 /SUS304	拉丝 /Wire drawing
Set B	挂杆 (含封头)	604x14x40mm	不锈钢 /SUS304	拉丝 /Wire drawing

MULTI-FUNCTIONAL FOLDING RACK 多功能折叠挂架

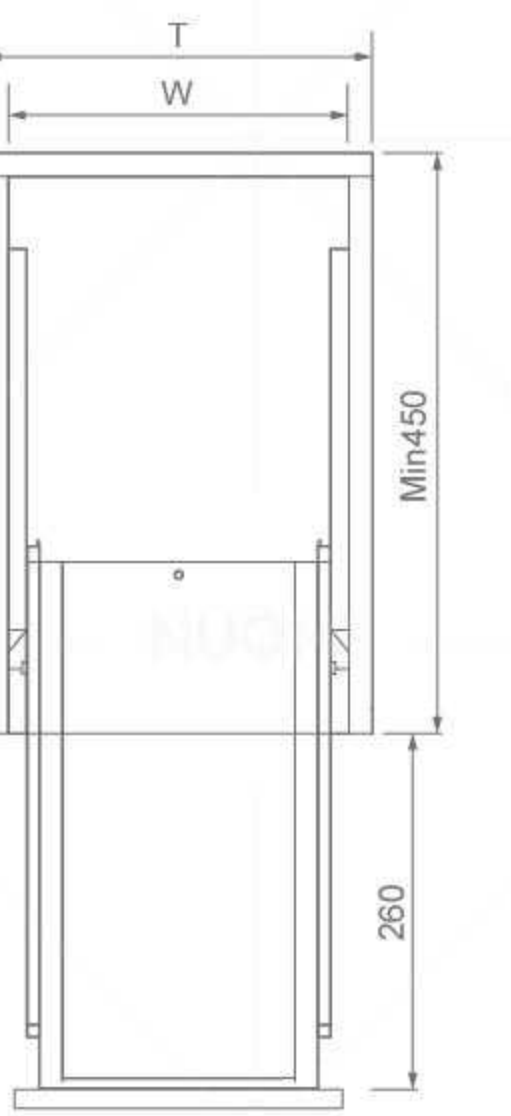


型号 Item No.	名称 Name	宽度 x 深度 x 高度 Width x Depth x Height	材质 Material	表面 Surface	工艺 Process
4030014	多功能折叠挂架 / Folding hook	387x465x502mm	碳钢 / Carbon steel	金属灰 / Dark grey	纳米喷涂 / Dry plating

RICE BIN 米箱



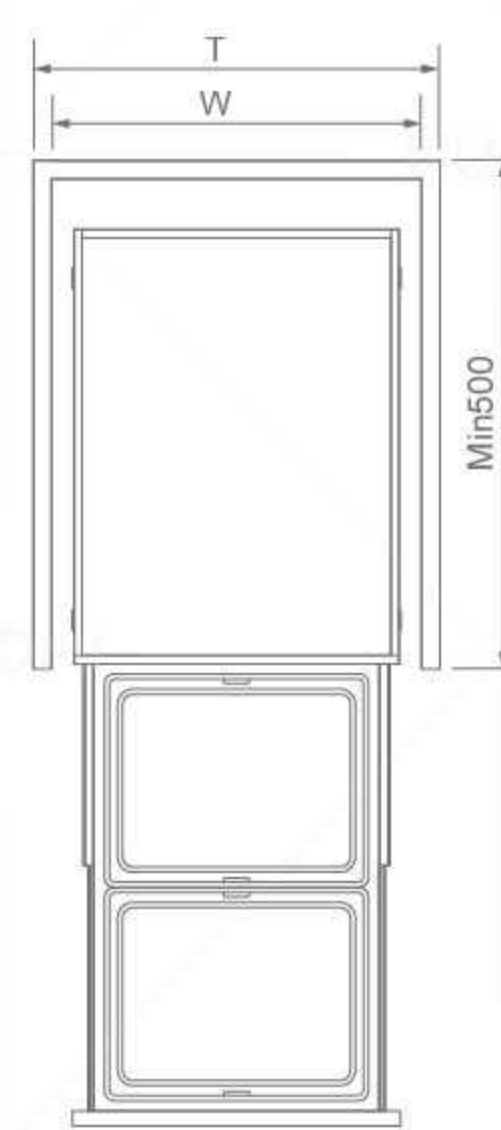
型号 Item No.	适用柜宽 (T) Cabinet width	宽度 x 深度 x 高度 Width x Depth x Height	材质 Material	表面 Surface	工艺 Process
3090002	300mm	264x500x580mm	碳钢 / Carbon steel	白色 / White	环保喷涂 / Environmental coating



WASTE CONTAINER 垃圾桶



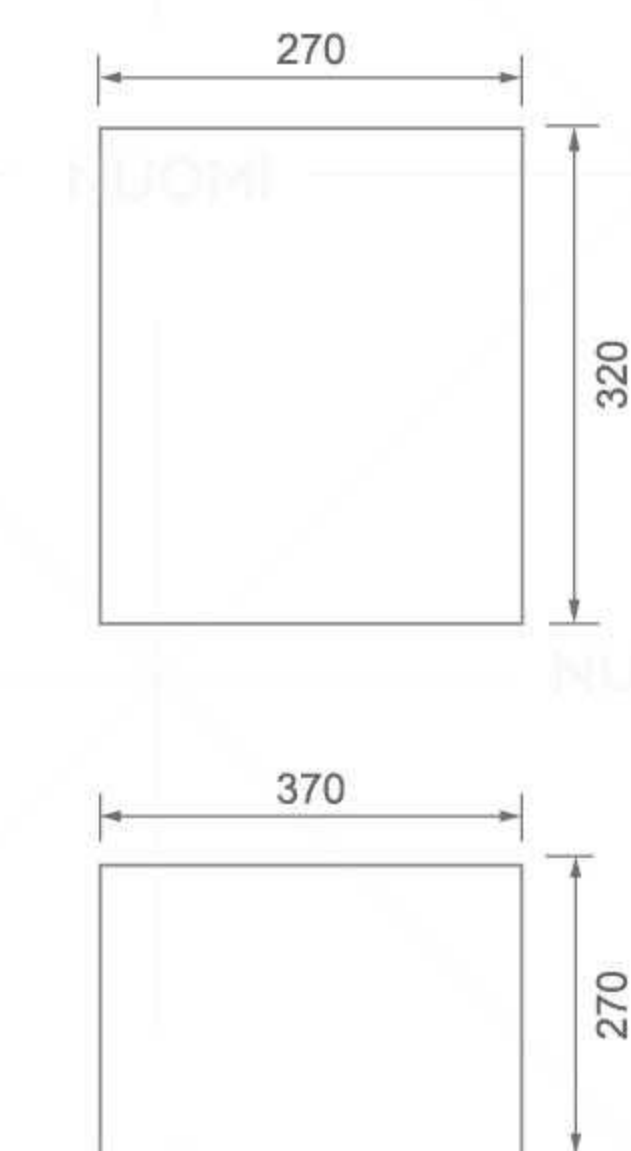
型号 Item No.	适用柜宽 (T) Cabinet width	宽度 x 深度 x 高度 Width x Depth x Height	材质 Material	颜色 Color
3090003	300mm	250x455x355mm	塑料 / Plastic	深灰色 / Dark grey
3090004	300mm	250x455x355mm	塑料 / Plastic	深灰色 / Dark grey



WASTE CONTAINER UNDER SINK 水槽柜垃圾桶



型号 Item No.	宽度 x 深度 x 高度 Width x Depth x Height	材质 Material	颜色 Color
3090006	370x270x320mm	塑料 / Plastic	灰色 / Grey



# NUOMI KITCHEN STORAGE SOLUTIONS

诺米厨房五金收纳解决方案



**NUOMI** 诺米